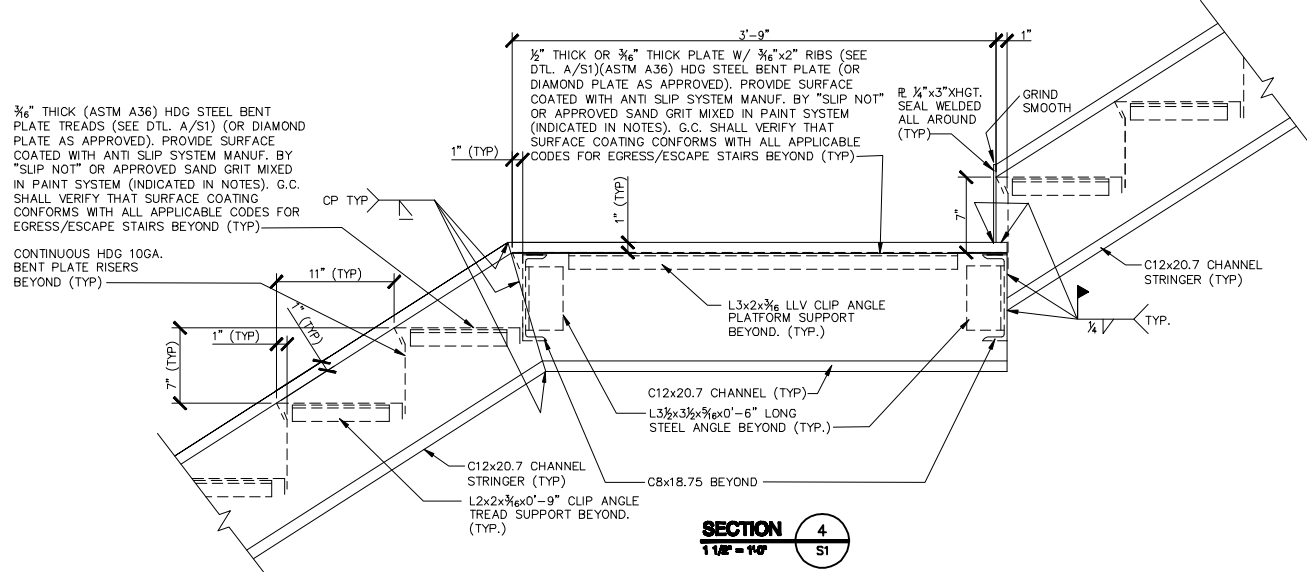
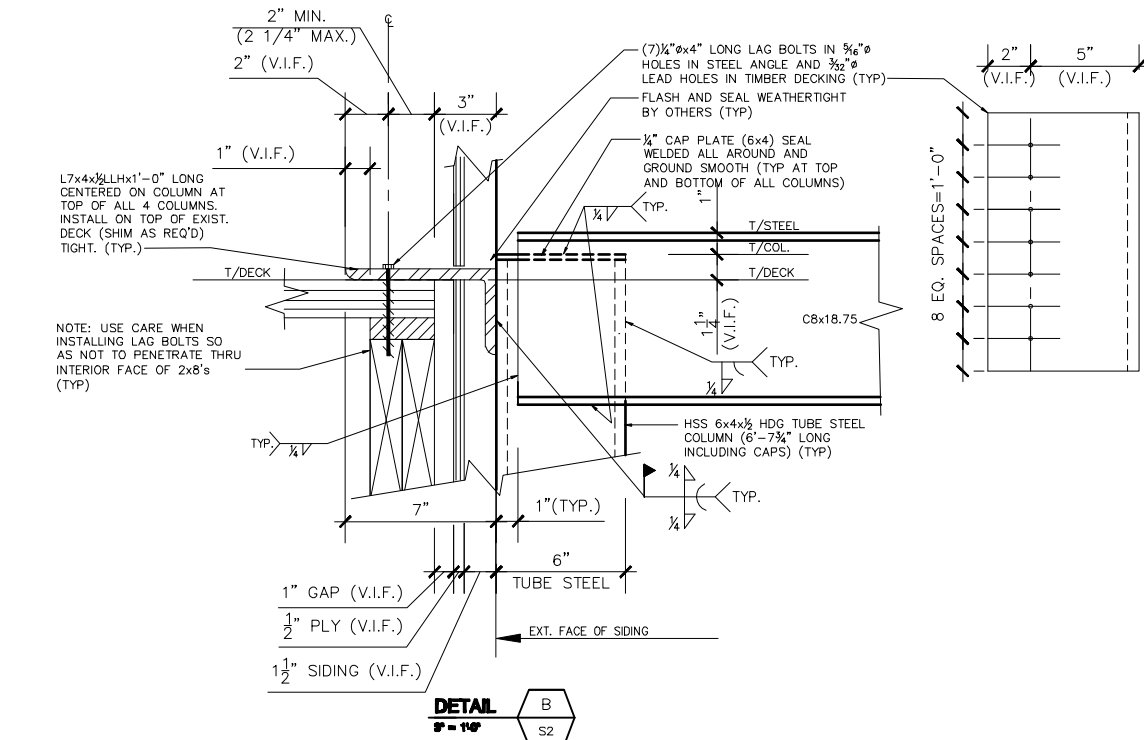


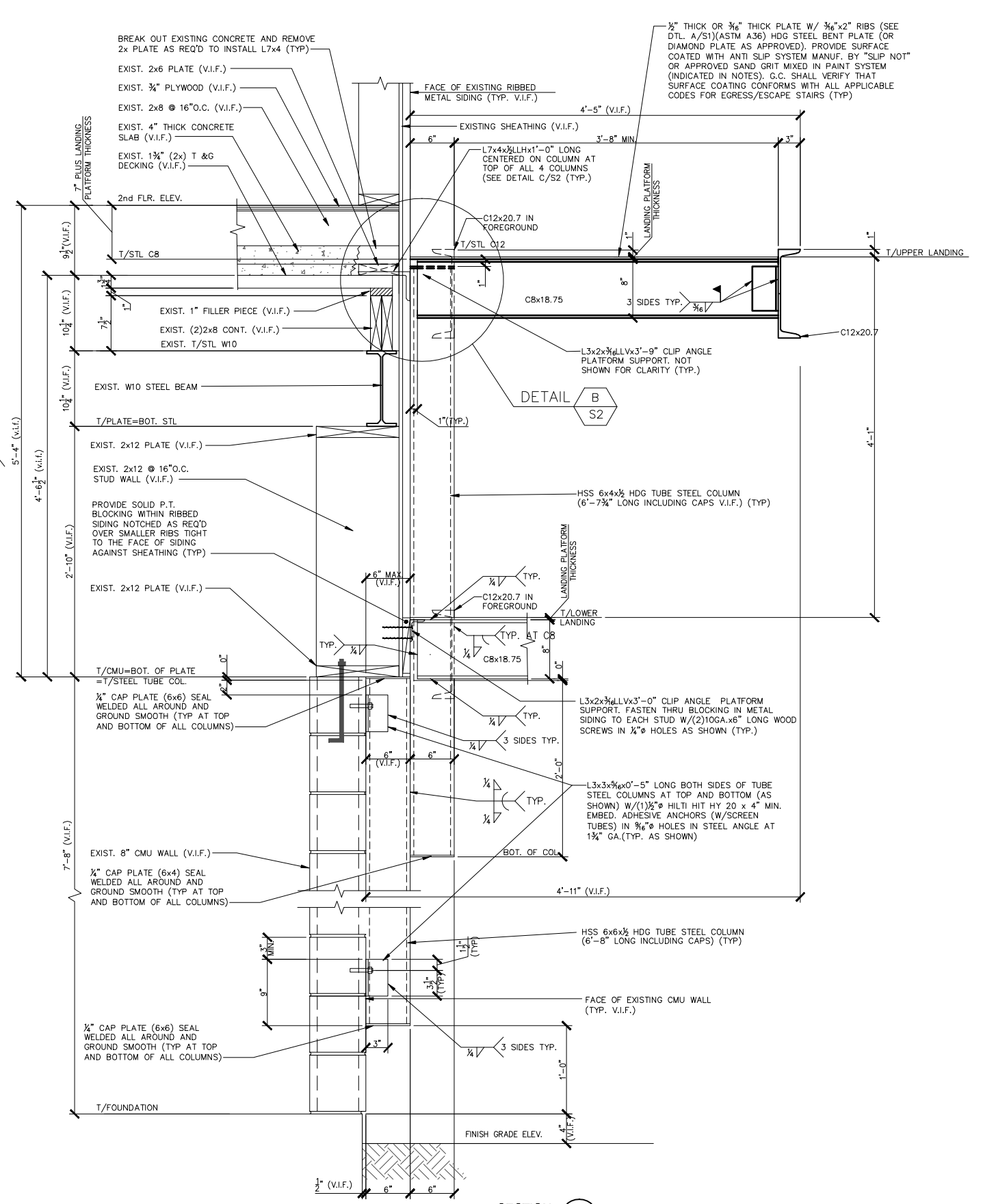
SECTION 2
1 1/2" = 1'-0"



SECTION 4
1 1/2" = 1'-0"

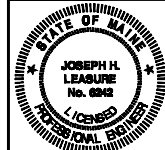


DETAIL B
1" = 1'-0"



SECTION 3
1 1/2" = 1'-0"

L & L STRUCTURAL ENGINEERING SERVICES, INC.
SIX Q STREET
SOUTH PORTLAND, MAINE 04106
PHONE: (207) 767-4830
FAX: (207) 799-5432



rev.	date	description
1	7-8-10	STAR SUPPORT COLUMNS

designed by: JHL
drawn by: JHL
checked by: JHL
scale: AS NOTED
date: 7-1-10
plot date: 7-9-10
project #: 2010-082

RI-RA IRISH PUB
PORTLAND, MAINE
FRAMING SECTIONS AND DETAILS

S2

THESE DRAWINGS HAVE BEEN DEVELOPED BY L&L STRUCTURAL ENGINEERING SERVICES, INC. FOR THE TITLED SET ONLY. THE DRAWINGS ARE THE SOLE PROPERTY OF L&L ENGINEERING SERVICES, INC. AND THEY SHALL NOT BE USED, LENT, COPIED OR ALTERED WITHOUT THE WRITTEN CONSENT OF L&L STRUCTURAL ENGINEERING SERVICES, INC.