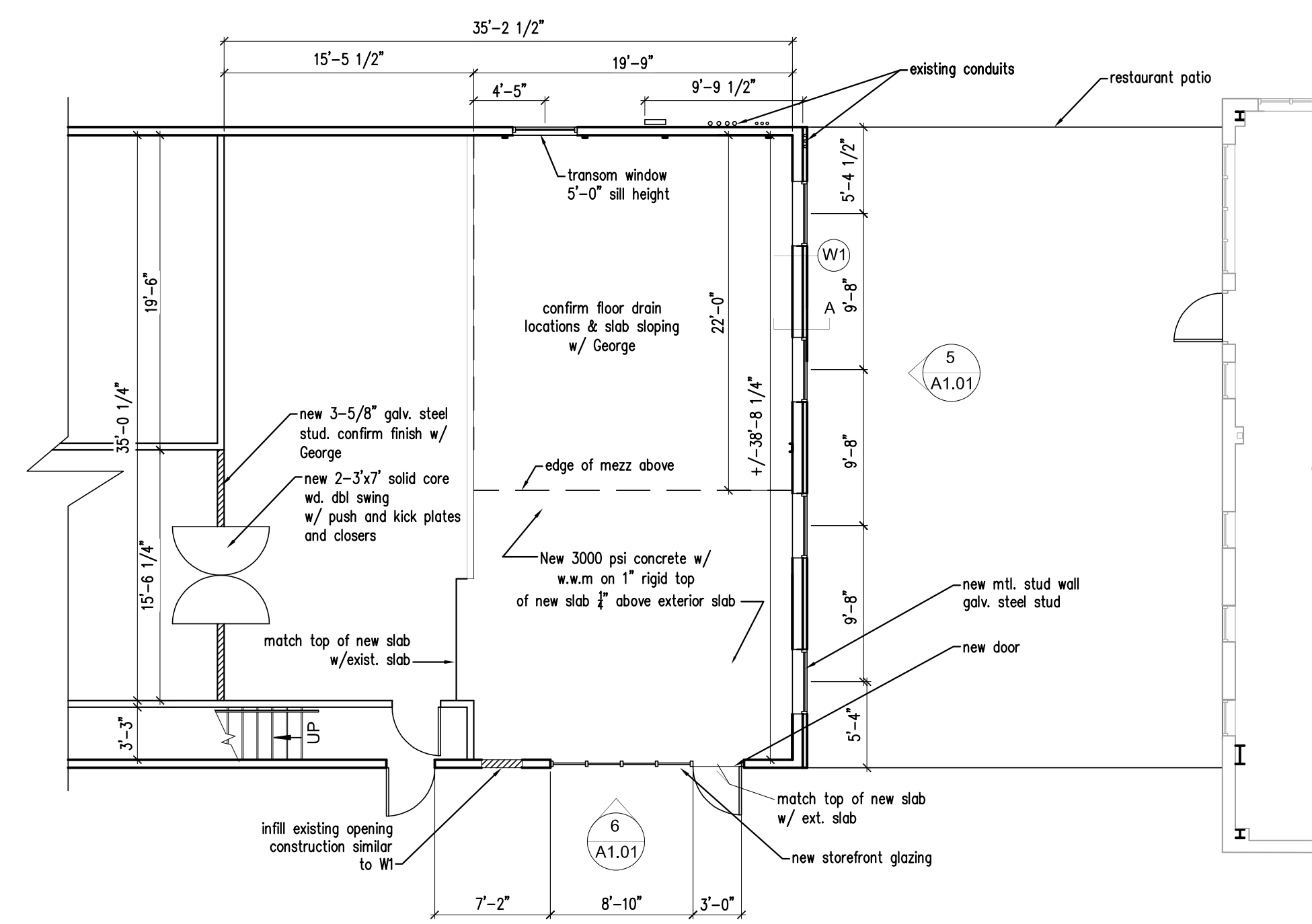
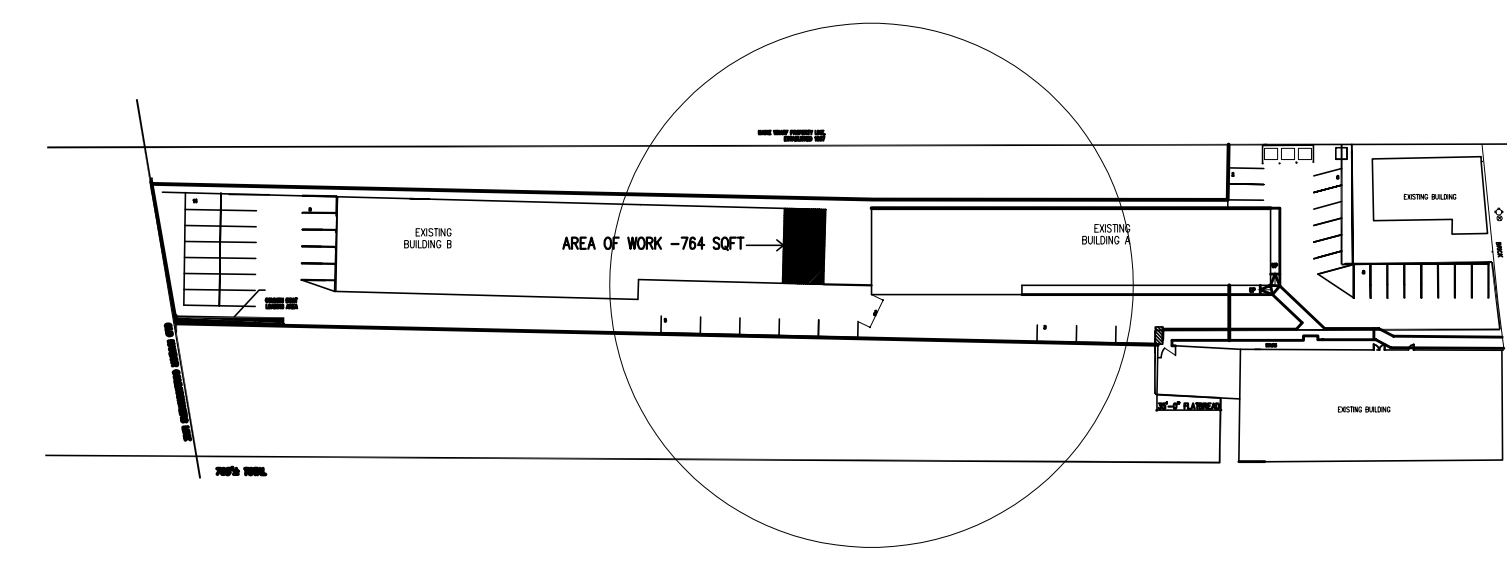


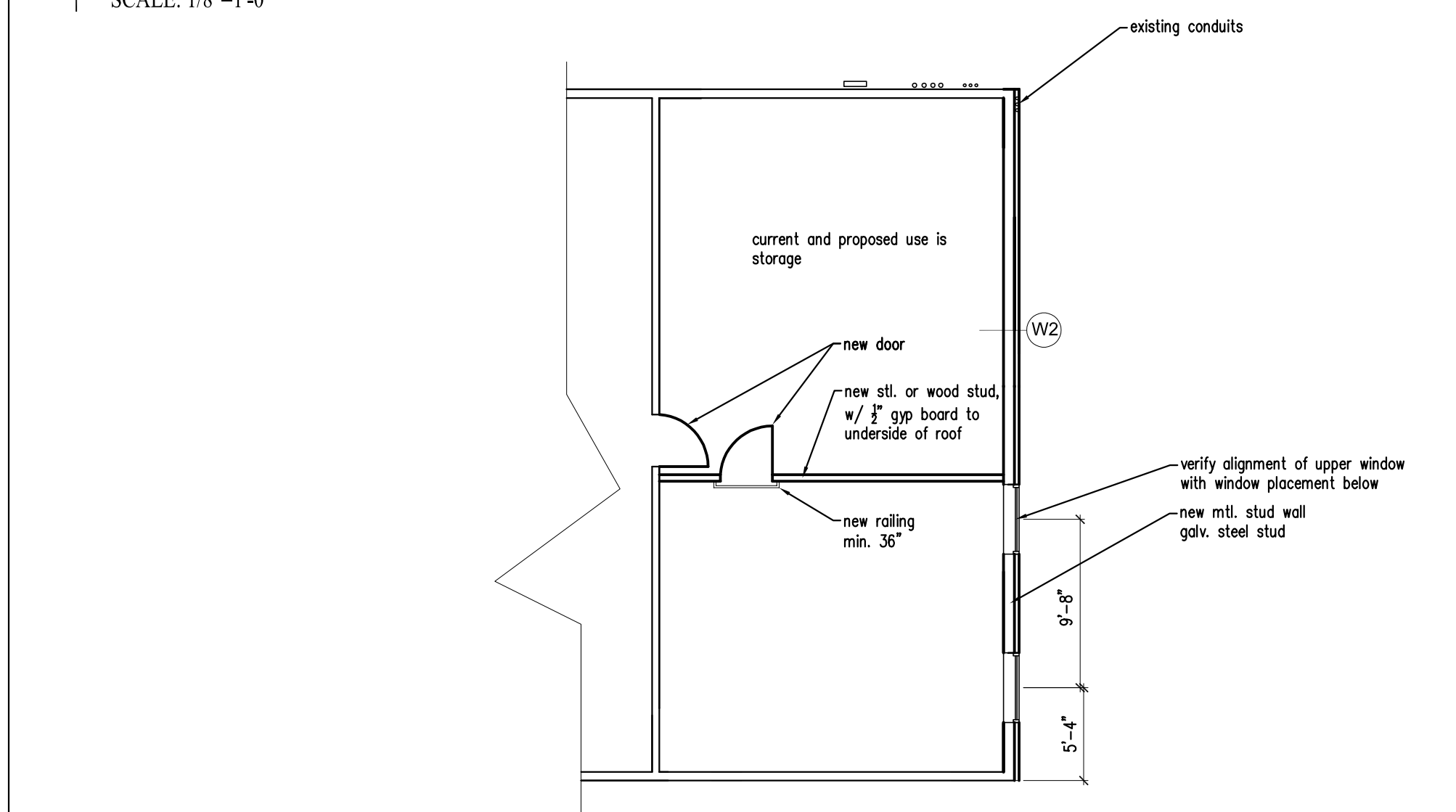
1 DEMO PLAN
SCALE: 1/8"=1'-0"



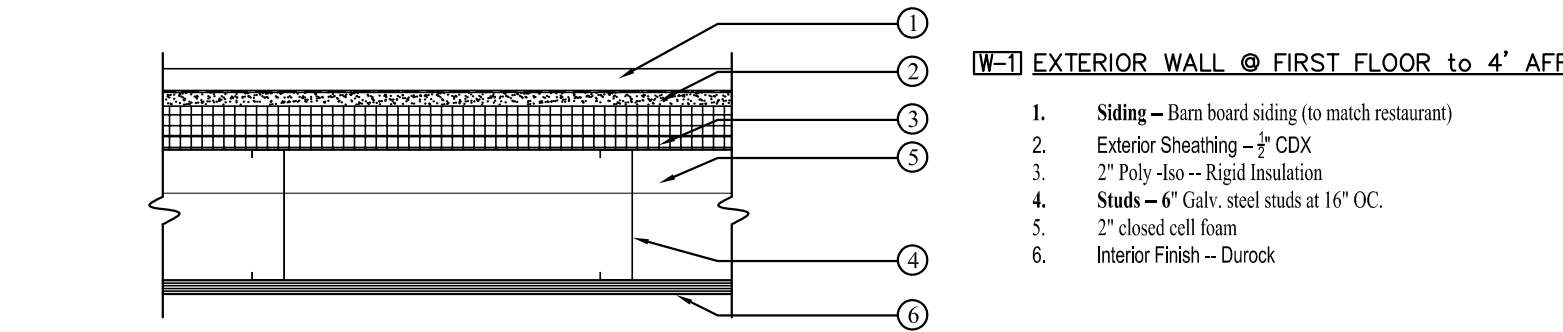
2 NEW WORK FLOOR PLAN
SCALE: 1/8"=1'-0"



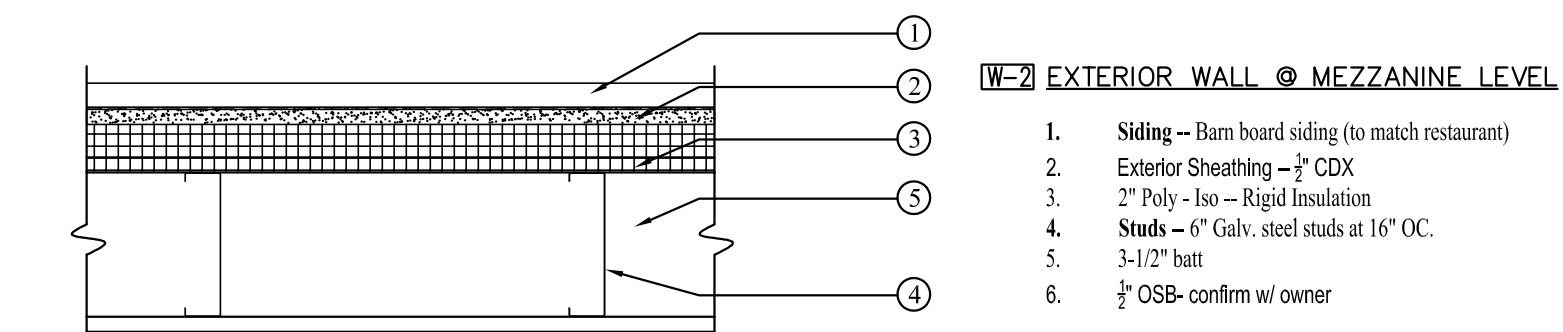
KEY PLAN - AREA OF WORK
SCALE: N/A



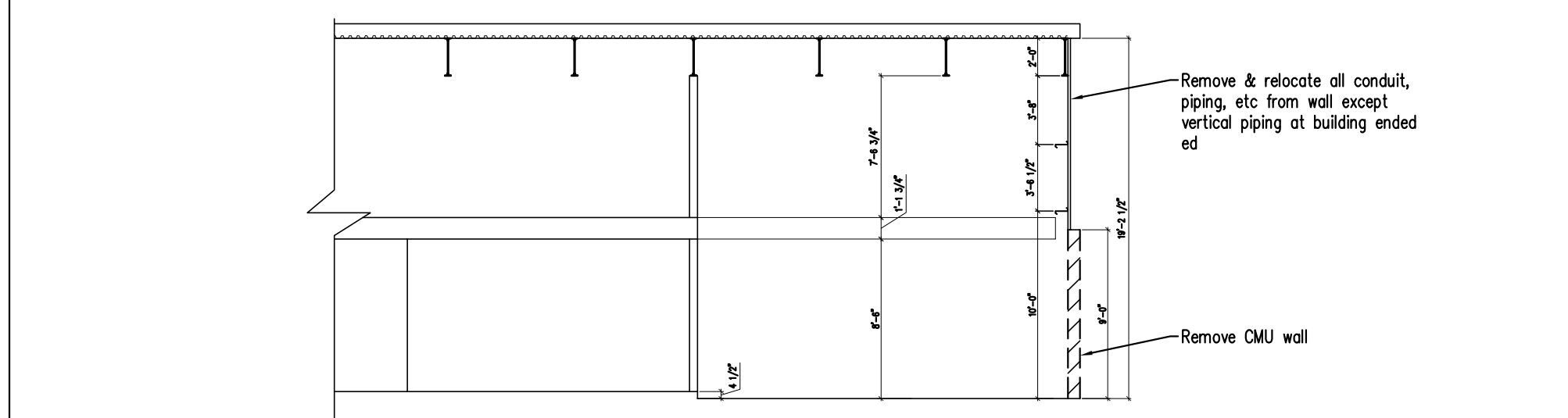
3 MEZZANINE PLAN
SCALE: 1/8"=1'-0"



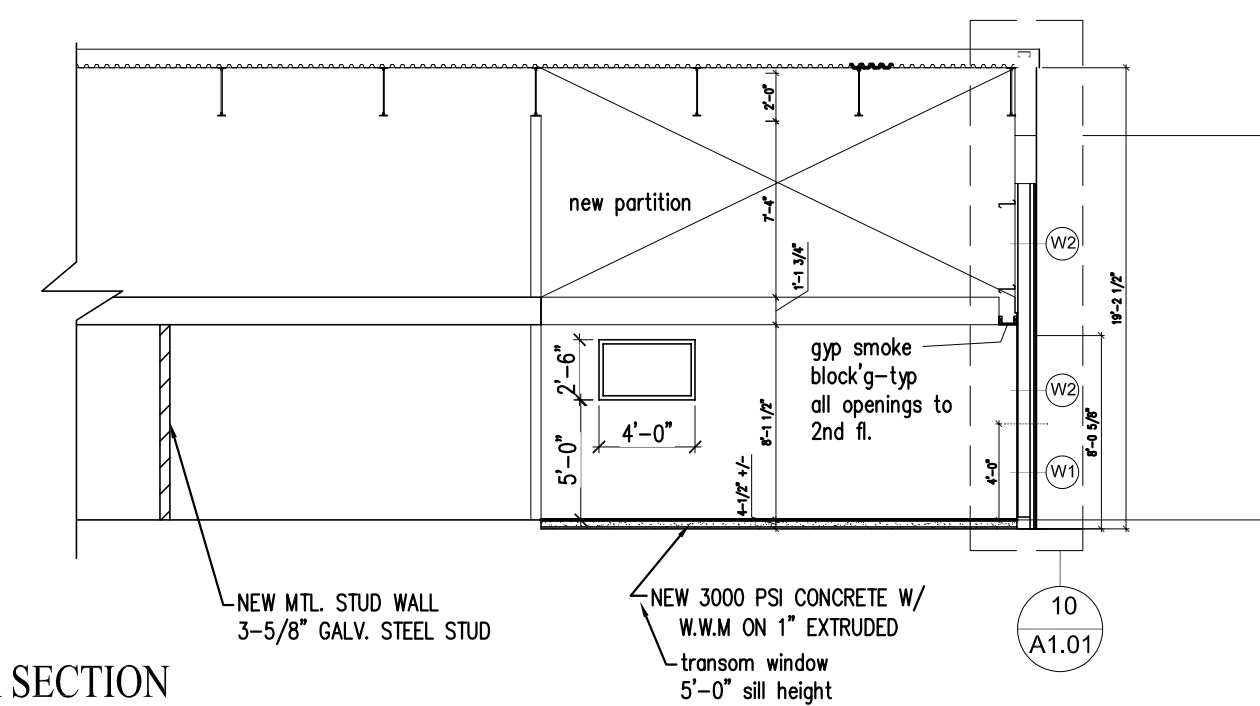
8 WALL TYPE W1
SCALE: 1-1/2"=1'-0"



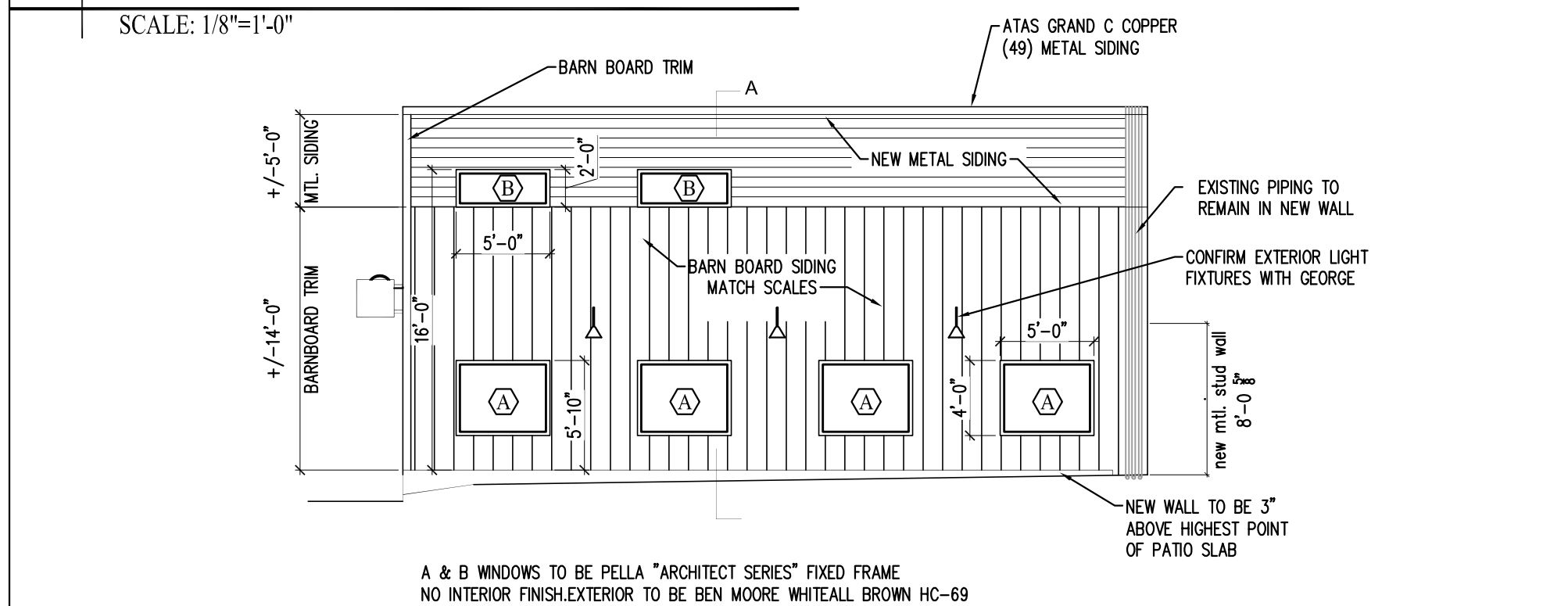
9 WALL TYPE W2
SCALE: 1-1/2"=1'-0"



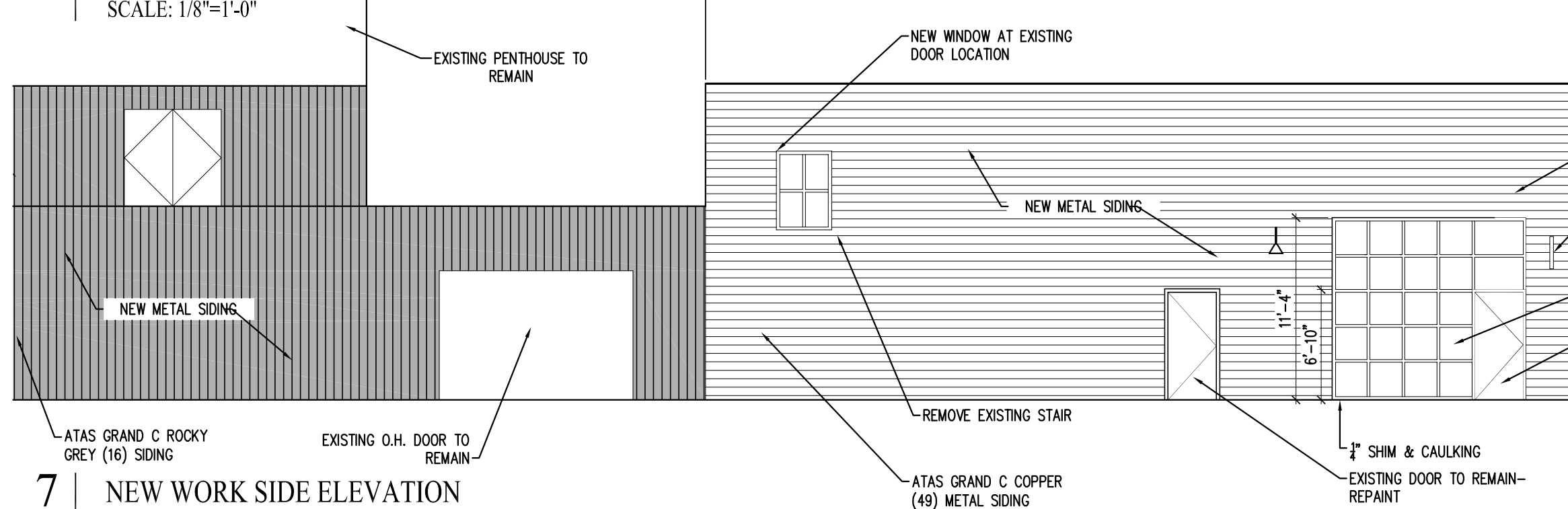
4 DEMO SECTION
SCALE: 1/8"=1'-0"



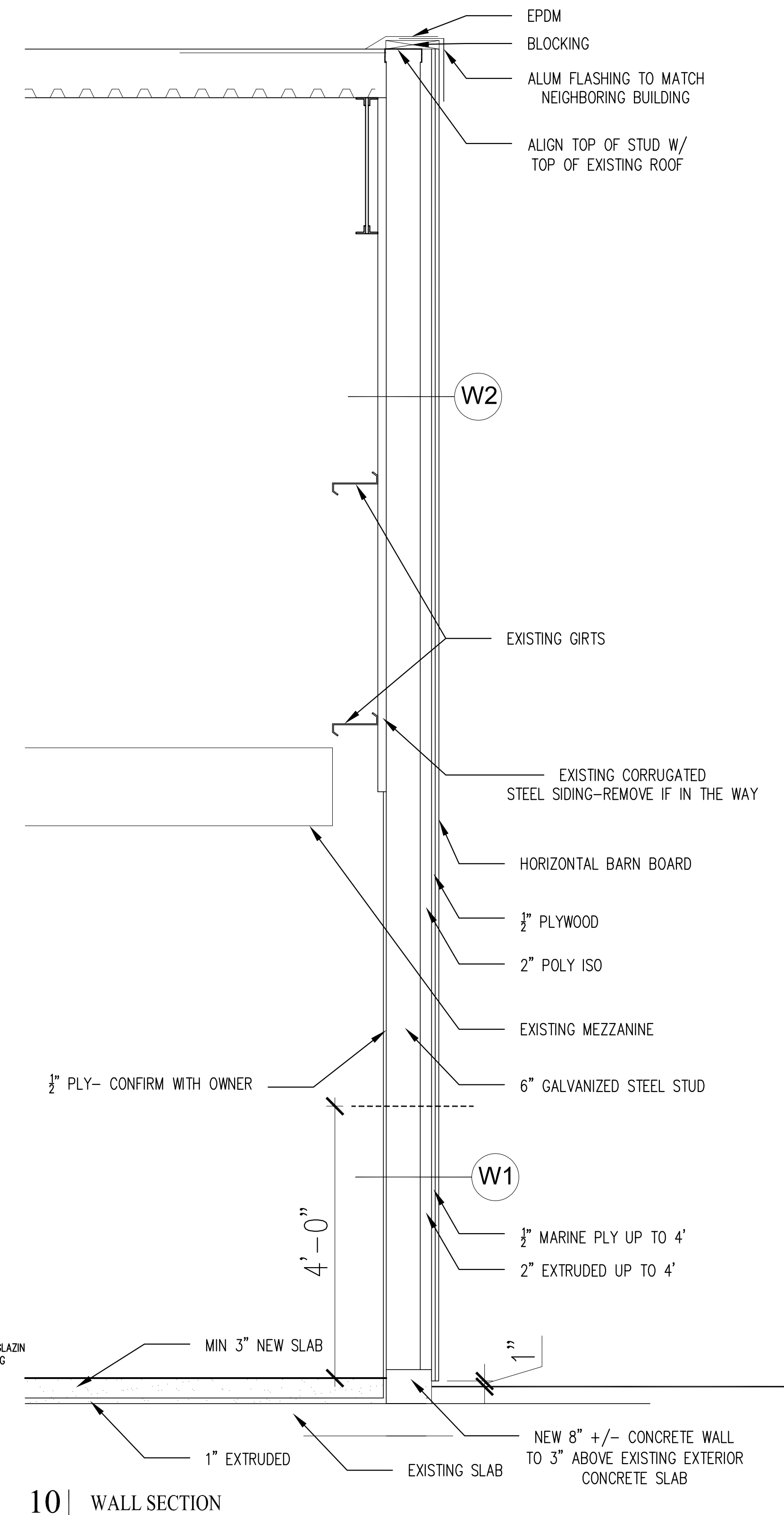
5 NEW WORK SECTION
SCALE: 1/8"=1'-0"



6 NEW WORK FRONT ELEVATION
SCALE: 1/8"=1'-0"



7 NEW WORK SIDE ELEVATION
SCALE: 1/8"=1'-0"



10 WALL SECTION
SCALE: 3/4"=1'-0"