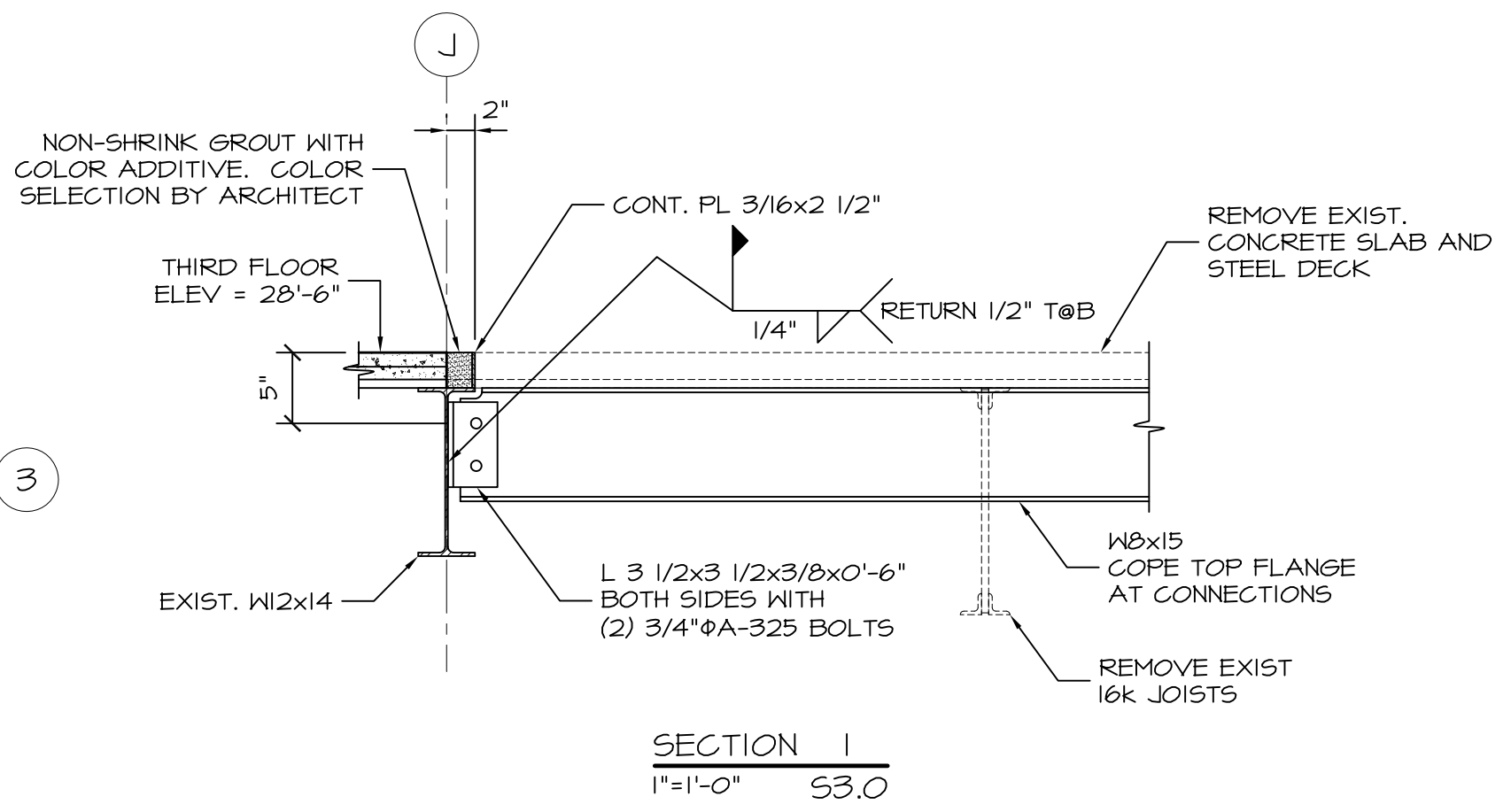
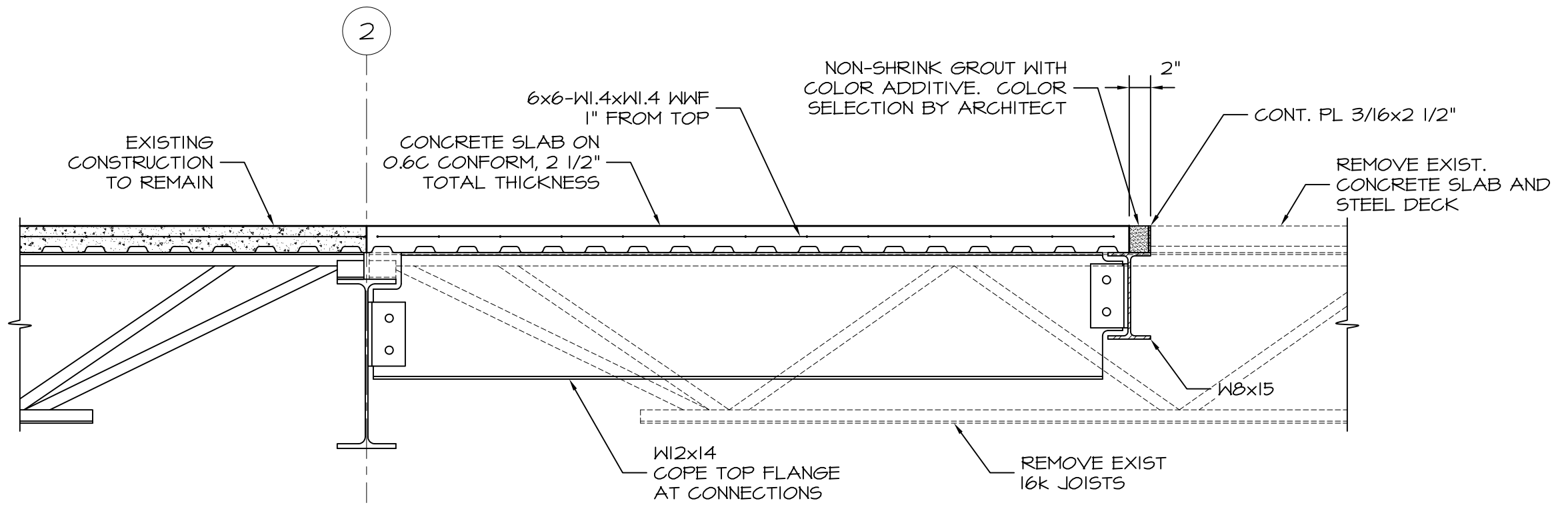


PARTIAL 3RD FLOOR FRAMING PLAN  
1/4"=1'-0"



SECTION 1  
1"=1'-0" S3.0



SECTION 2  
1"=1'-0" S3.0

SEE SECTION 1 FOR BEAM TO BEAM CONNECTIONS

Prepared For: <b>MAINE WHARF, LLC</b> 72 COMMERCIAL STREET PORTLAND, ME 04101	
Consulting Engineer: <b>STRUCTURAL DESIGN CONSULTING</b>	2686 Lake Shore Rd Portland, ME 04103 Phone: 603.293.8038 Fax: 603.293.8038
Architect: <b>ARCHETYPE architects</b> 48 Union Wharf Portland, Maine 04101 (207) 772-6022 Fax (207) 772-4056	Project: <b>MAINE WHARF MUSEUM</b> 68 Commercial Street Portland, ME
Date: 07 May 2015	Scale: As Noted
Revisions: 1	Project: <b>Communicating Stair through 3rd Floor Opening Framing</b>
<h1>S3.0</h1>	