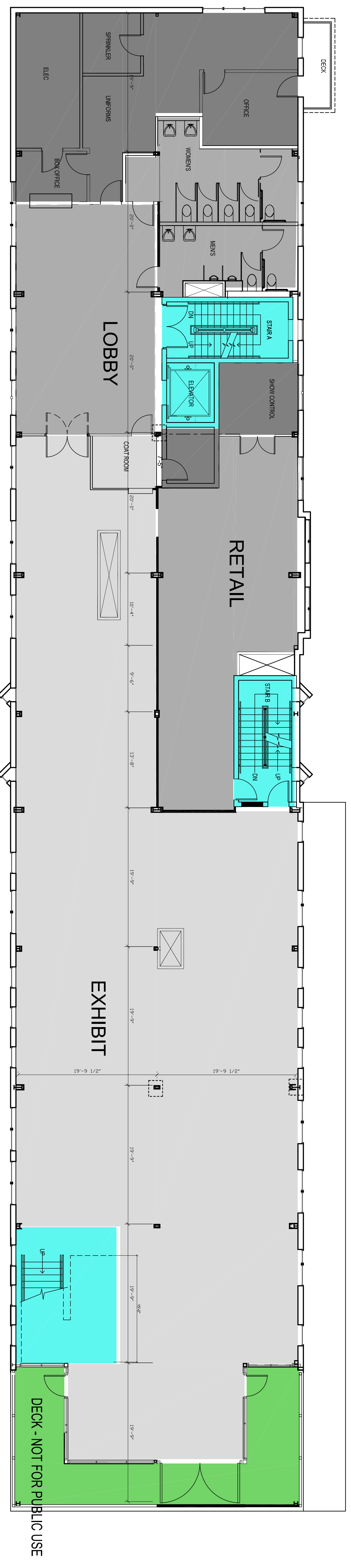


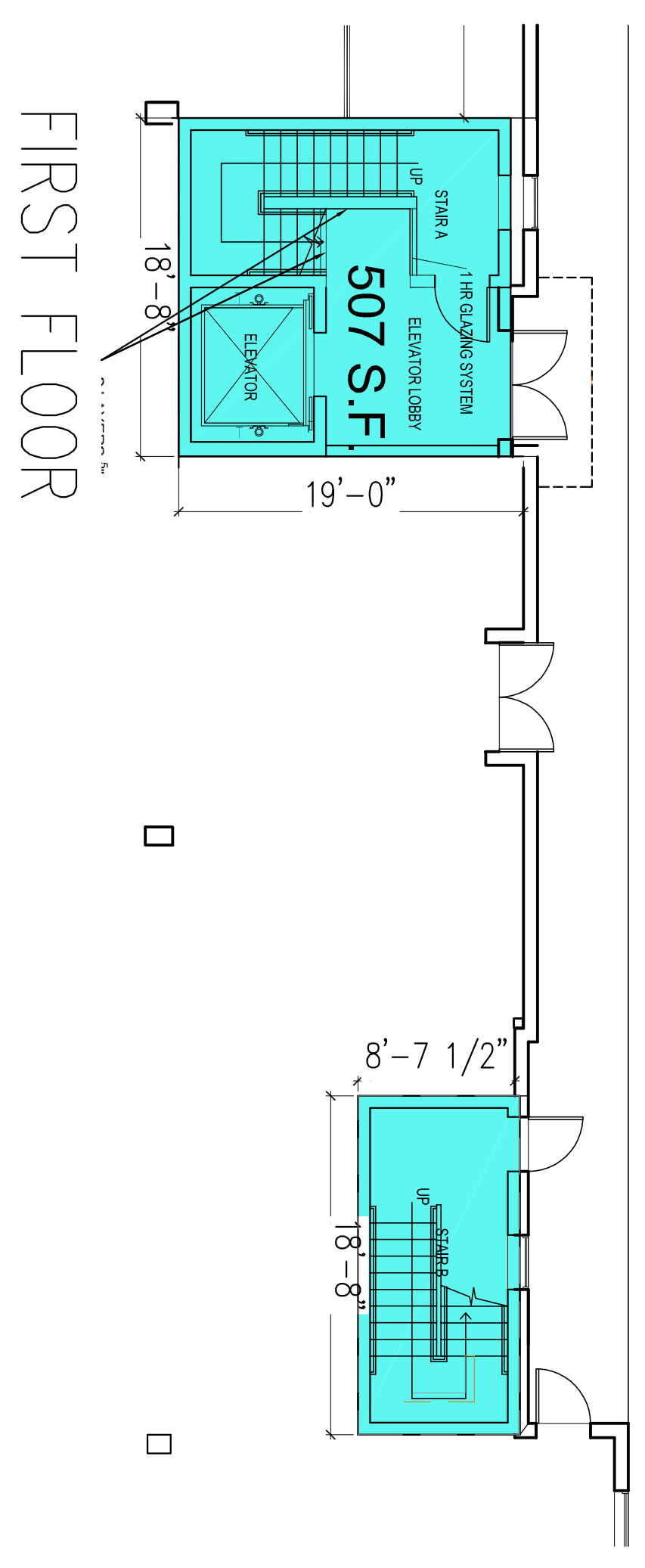
THIRD FLOOR

2.277 C E

- VERTICAL CIRCULATION
- EXTERIOR - NOT PUBLIC
- EXHIBIT SPACE
- PUBLIC - NON-EXHIBIT
- OFFICE - STAFF AREA



SECOND FLOOR



FIRST FLOOR