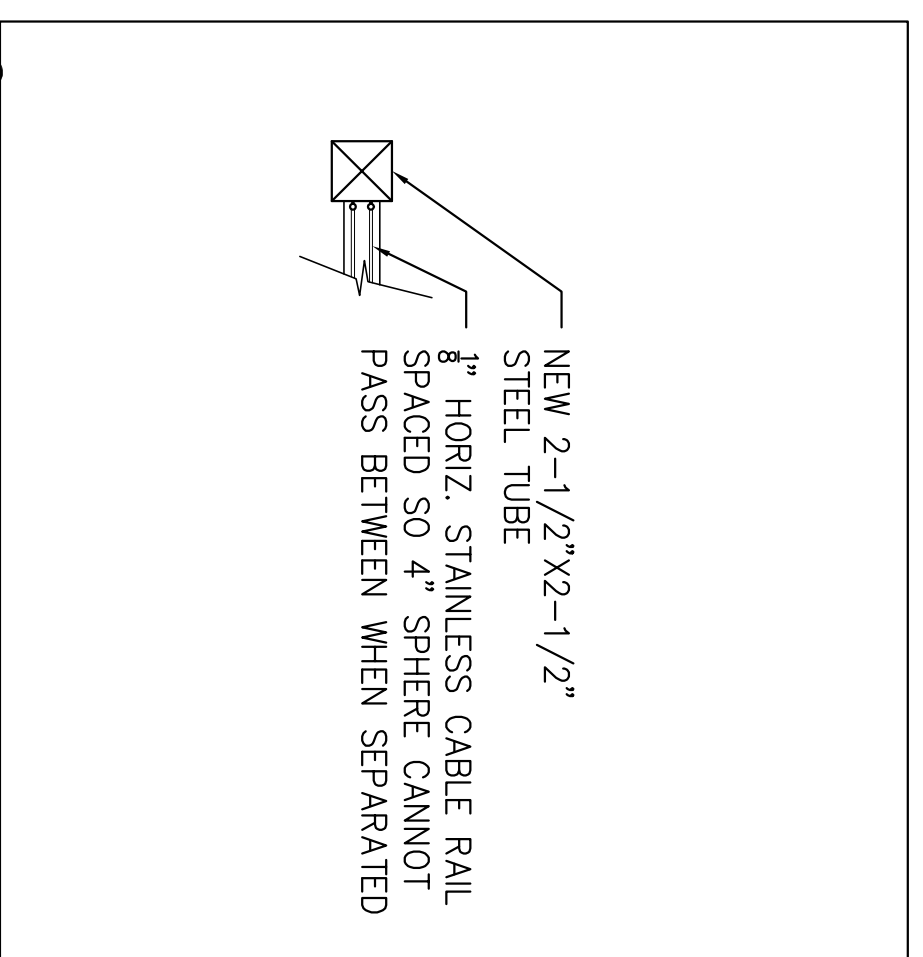
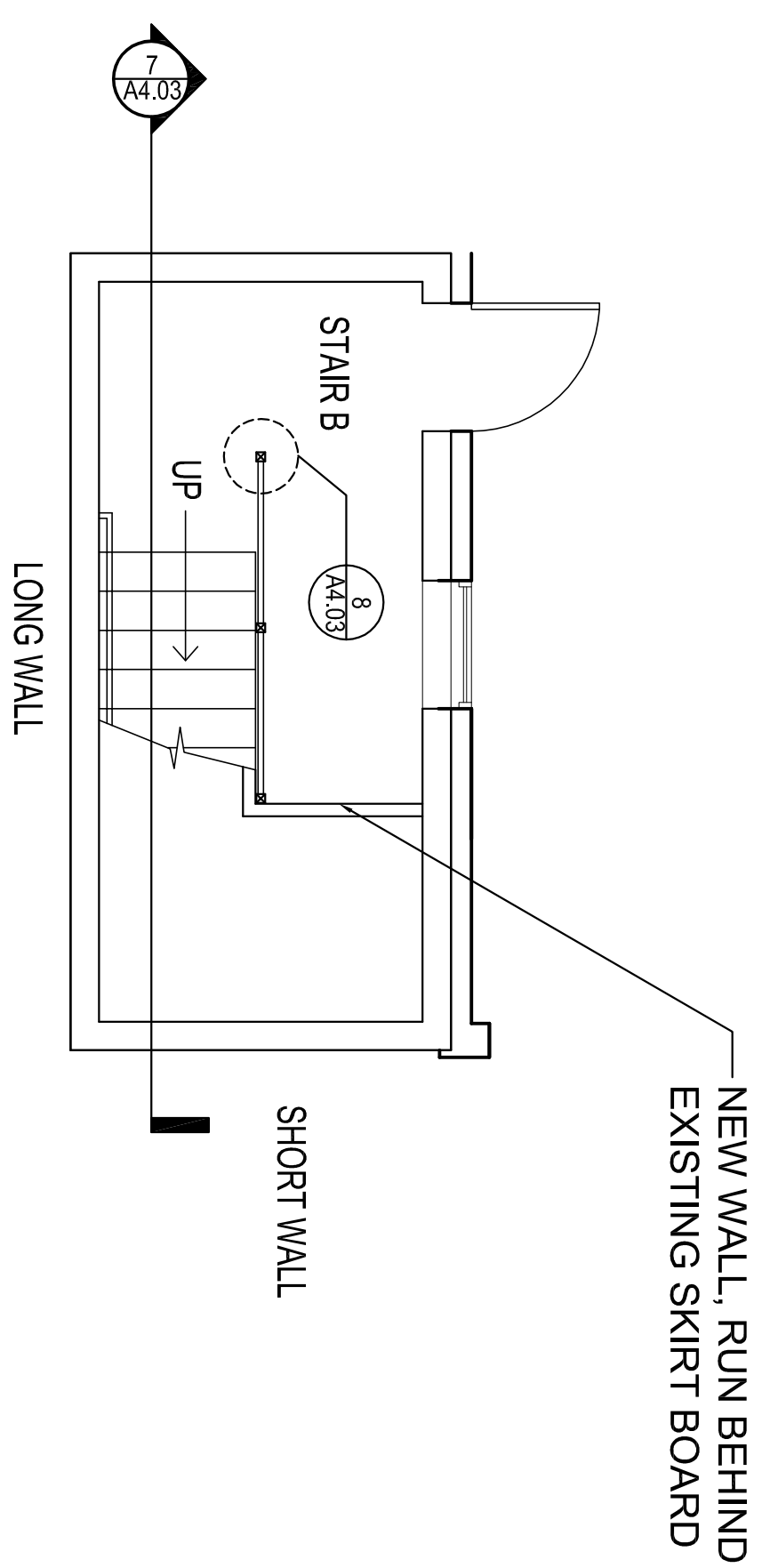


7 | STAIR SECTION - STAIR A AND B  
SCALE: 1/4"=1'-0"

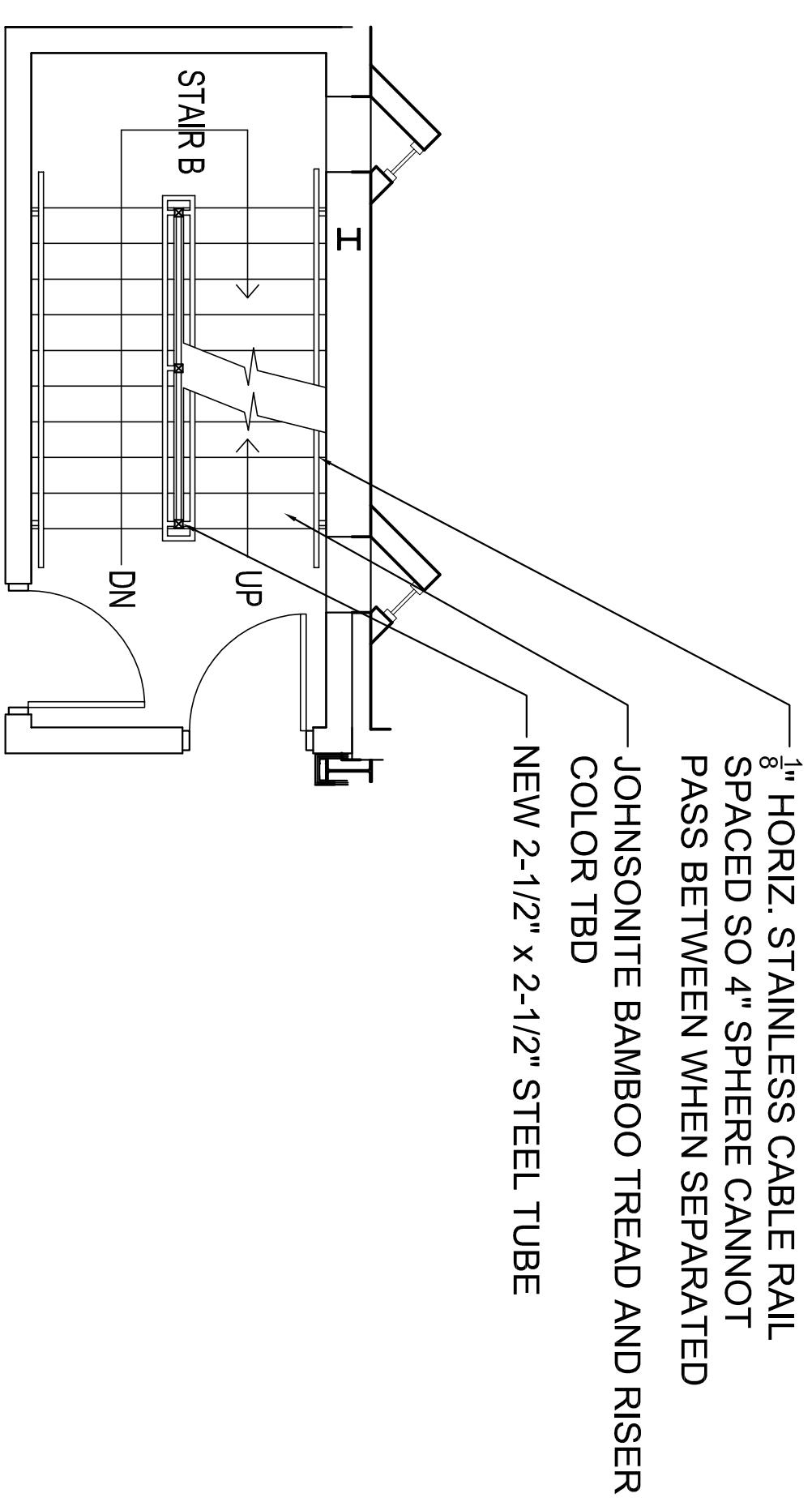


8 | STAIR DETAIL  
SCALE: 1/2"=1'-0"

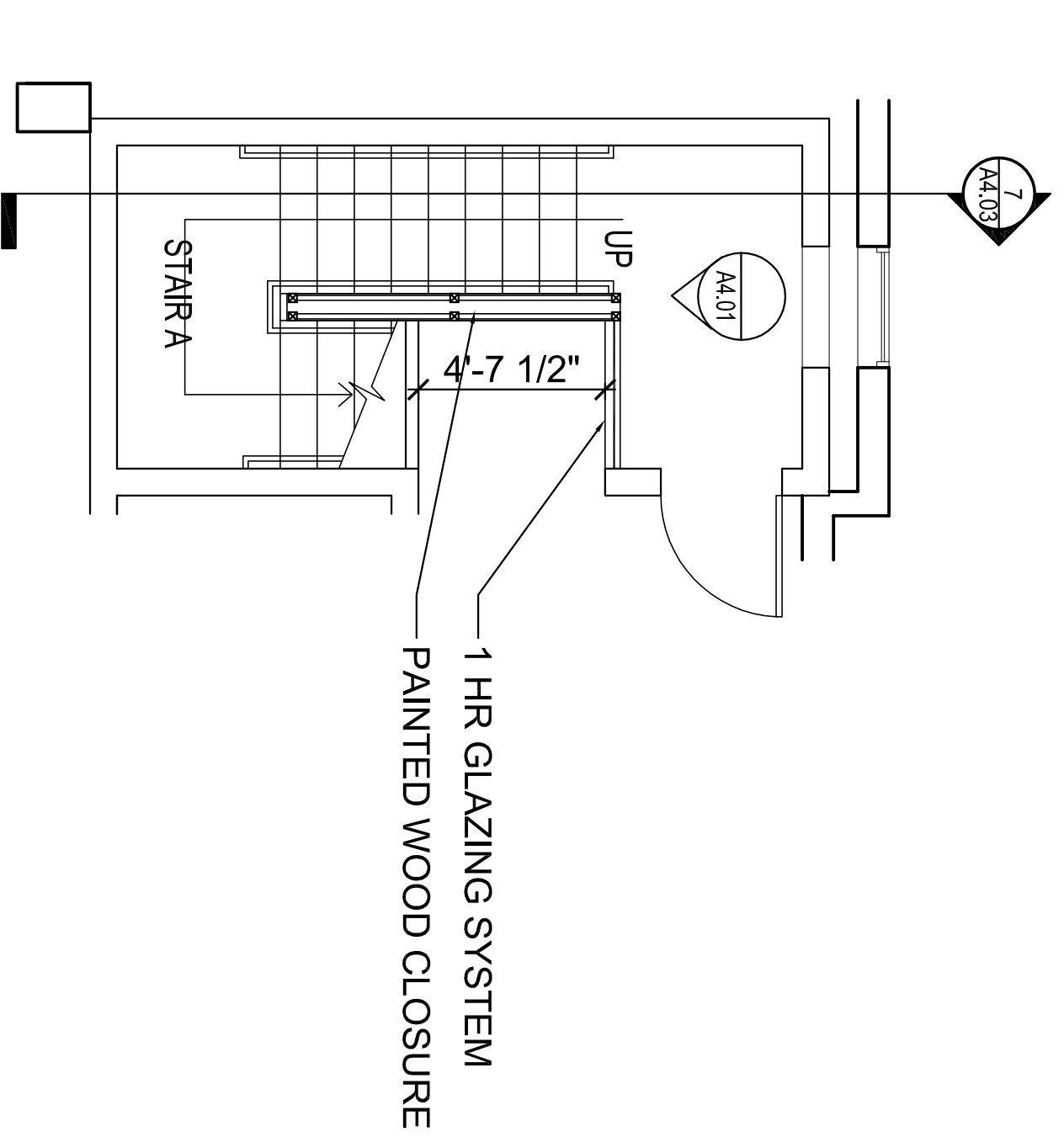
- NOTES:
- TREADS TO BE JOHNSONITE RUBBER RAISED CIRCLE IN CHARCOAL
  - STAIR A - ALL LONG WALLS TO BE PAINTED WHITE. ALL SHORT WALLS TO BE PAINTED TO MATCH PANTONE 322 U
  - STAIR B - ALL LONG WALLS TO BE PAINTED WHITE. ALL SHORT WALLS TO BE PAINTED TO MATCH PANTONE 158 U



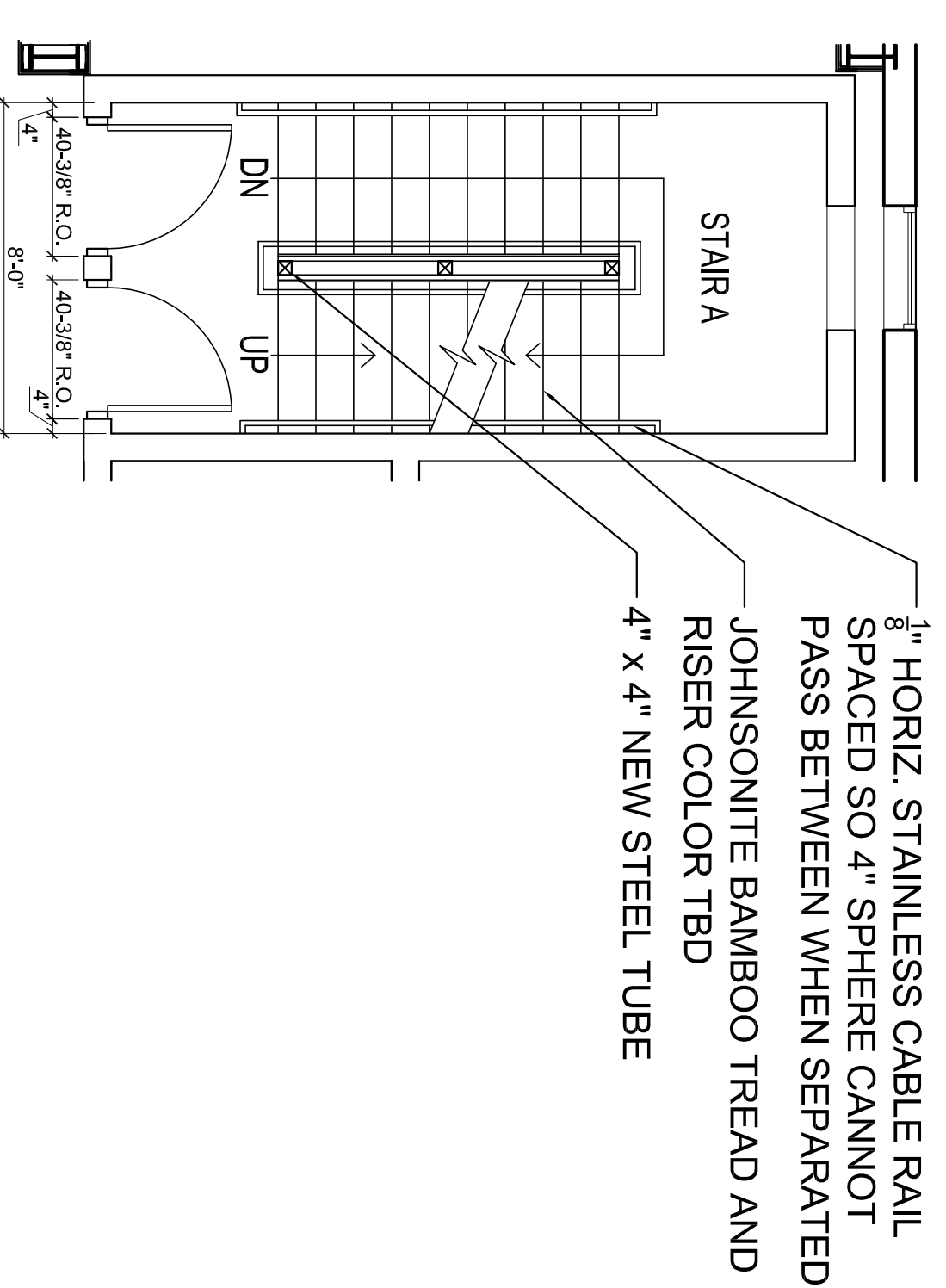
4 | FIRST FLOOR STAIR PLAN - STAIR B  
SCALE: 1/4"=1'-0"



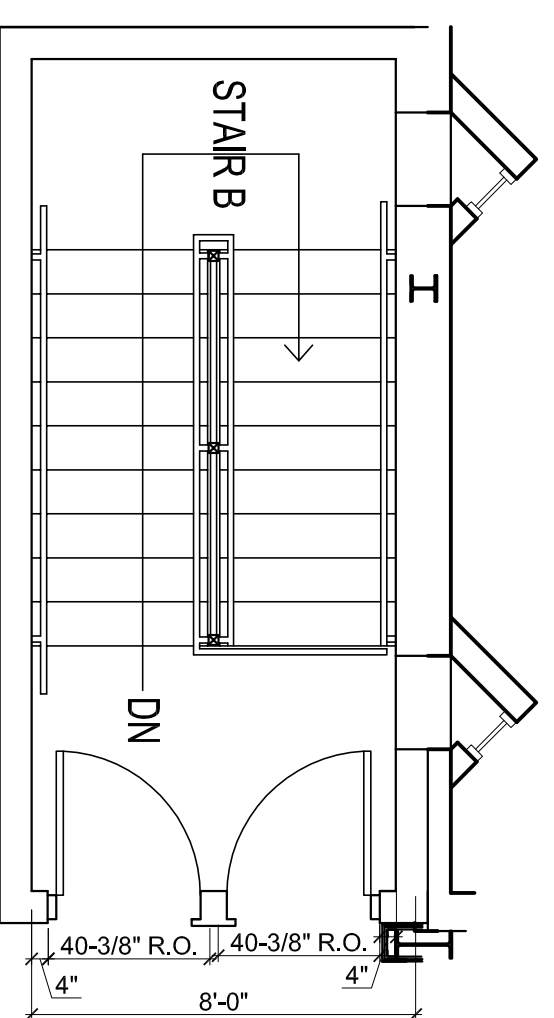
5 | SECOND FLOOR STAIR PLAN - STAIR B  
SCALE: 1/4"=1'-0"



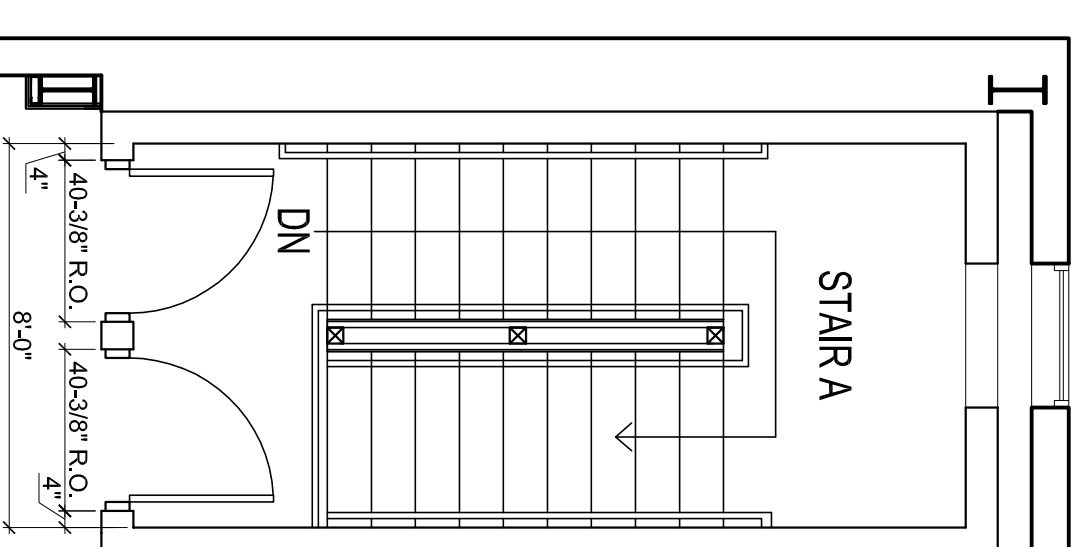
1 | FIRST FLOOR STAIR PLAN - STAIR A  
SCALE: 1/4"=1'-0"



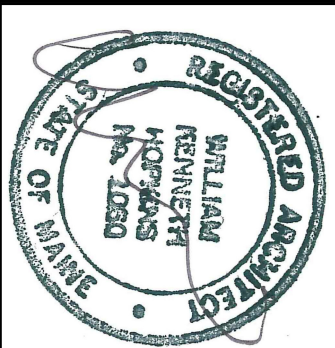
2 | SECOND FLOOR STAIR PLAN - STAIR A  
SCALE: 1/4"=1'-0"



6 | THIRD FLOOR STAIR PLAN - STAIR B  
SCALE: 1/4"=1'-0"



2 | THIRD FLOOR STAIR PLAN - STAIR A  
SCALE: 1/4"=1'-0"



Prepared For:  
**MAINE WHARF LLC**  
72 COMMERCIAL STREET  
PORTLAND, ME 04101

Consultant:

Architect:  
**ARCHETYPE**  
48 Union Wharf Portland, Maine 04101  
(207) 772-6022 Fax (207) 772-4056

Project:  
BUILDING A - MAINE WHARF  
INTERIOR FIT-UP  
PORTLAND SCIENCE CENTER  
MAINE WHARF,  
PORTLAND ME

Revisions:  
5-22-2015 REVISION TO PERMIT SET

Scale:  
AS NOTED

Date:  
5-13-2015

STAIR DETAILS

A4.03