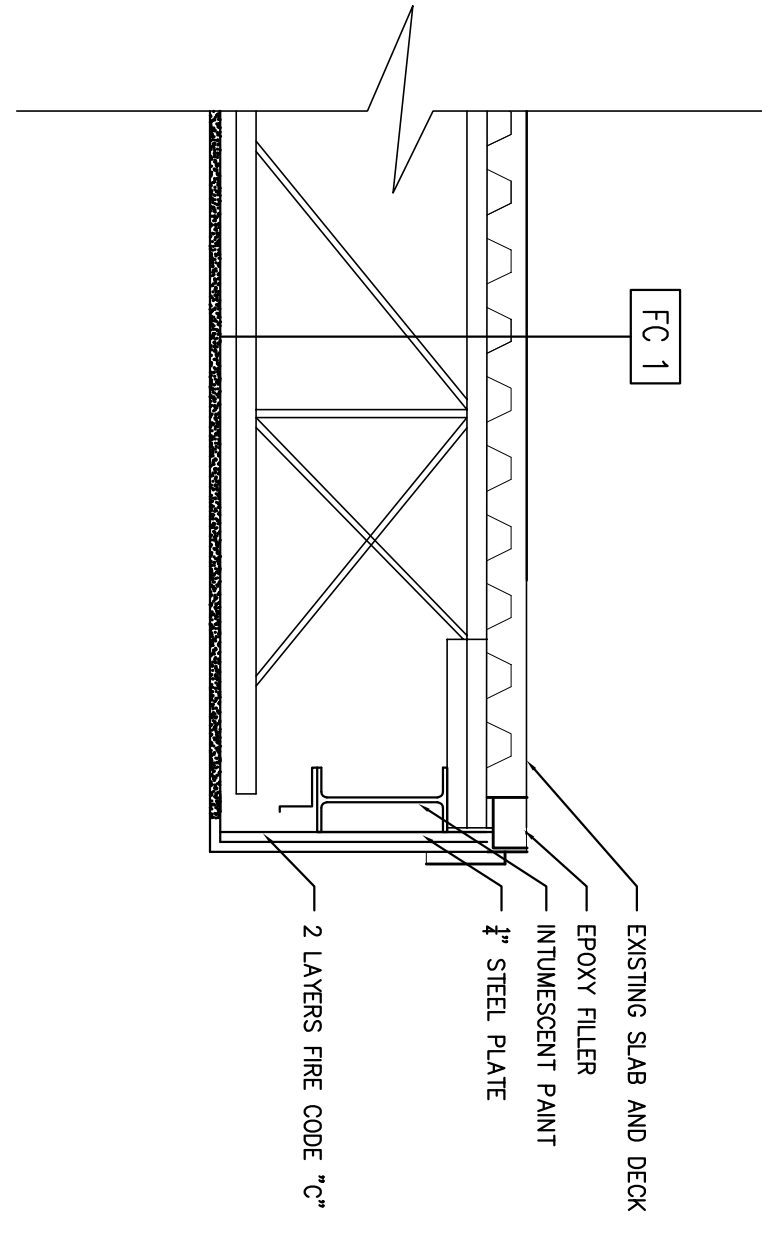
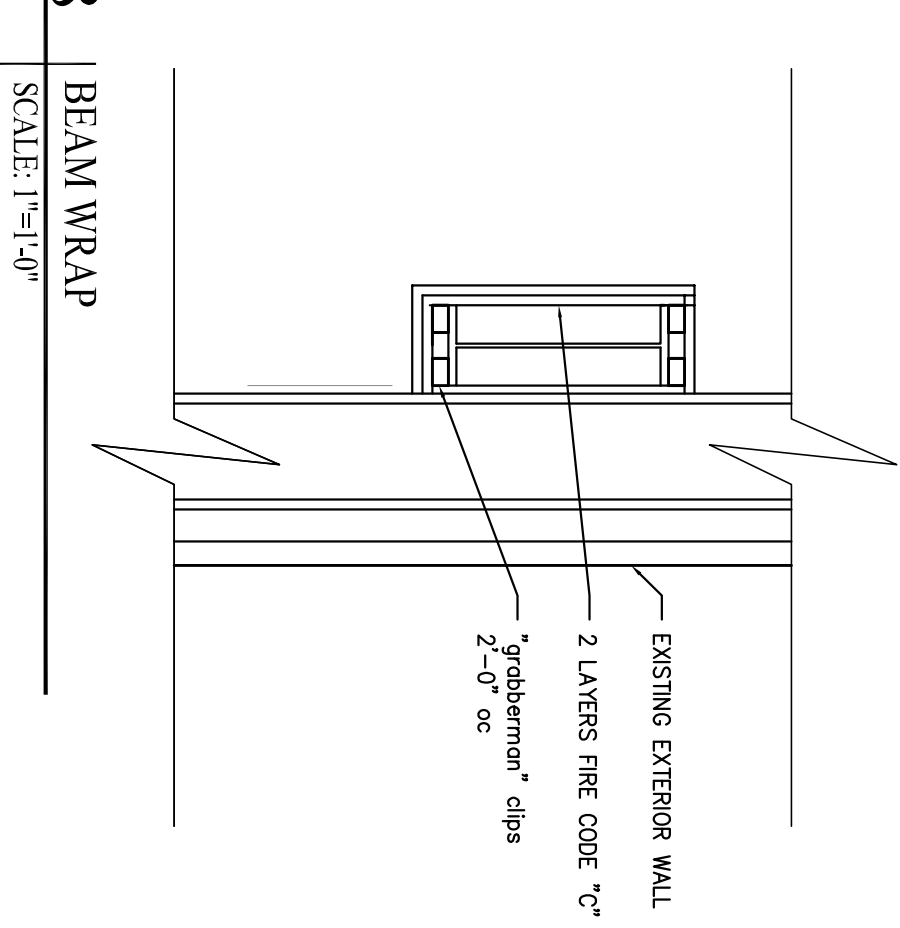


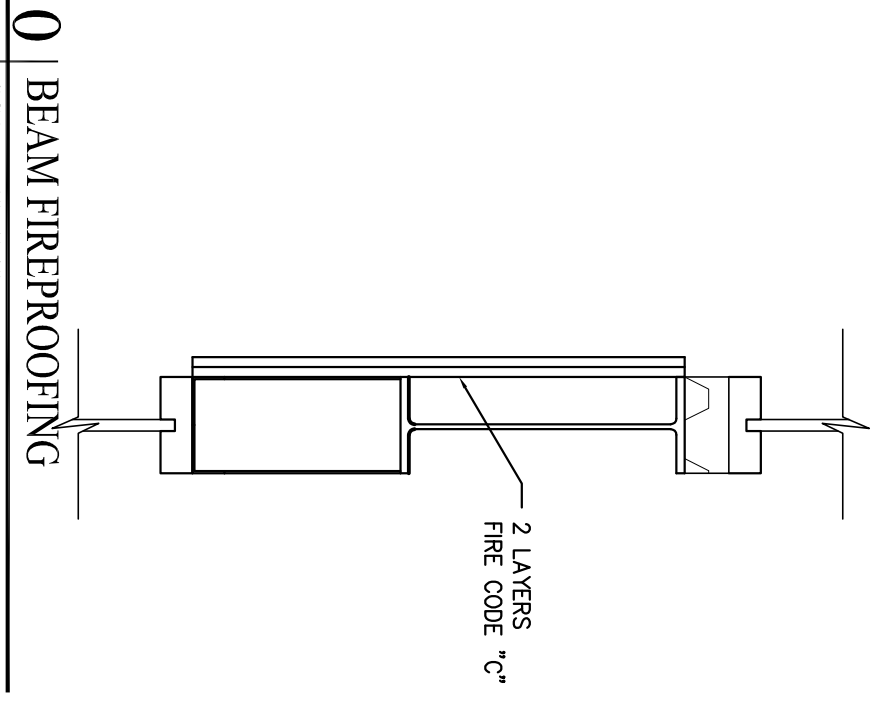
6 | CEILING ASSEMBLY Y  
SCALE: 1"=1'-0"



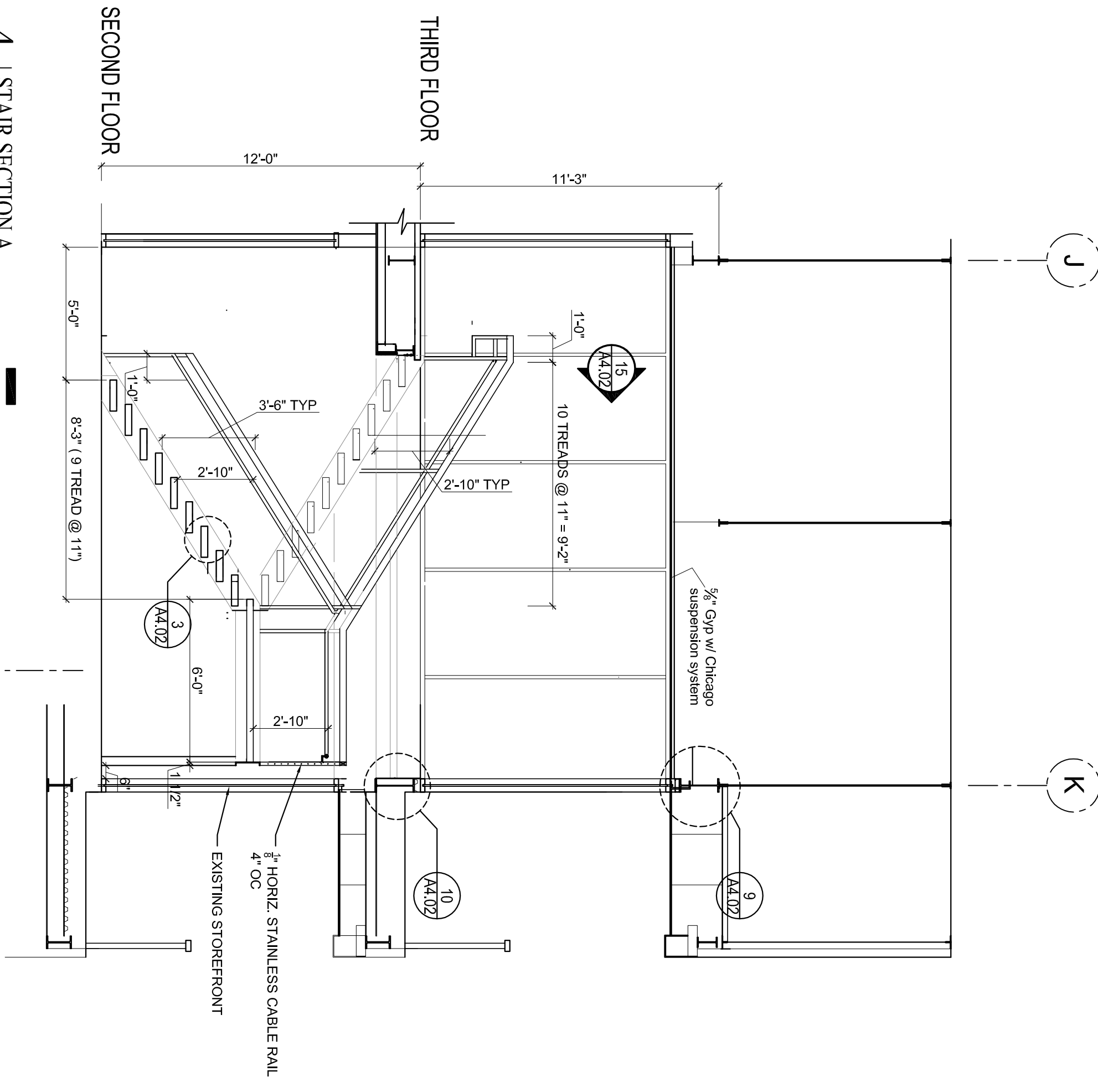
7 | CEILING ASSEMBLY X  
SCALE: 1"=1'-0"



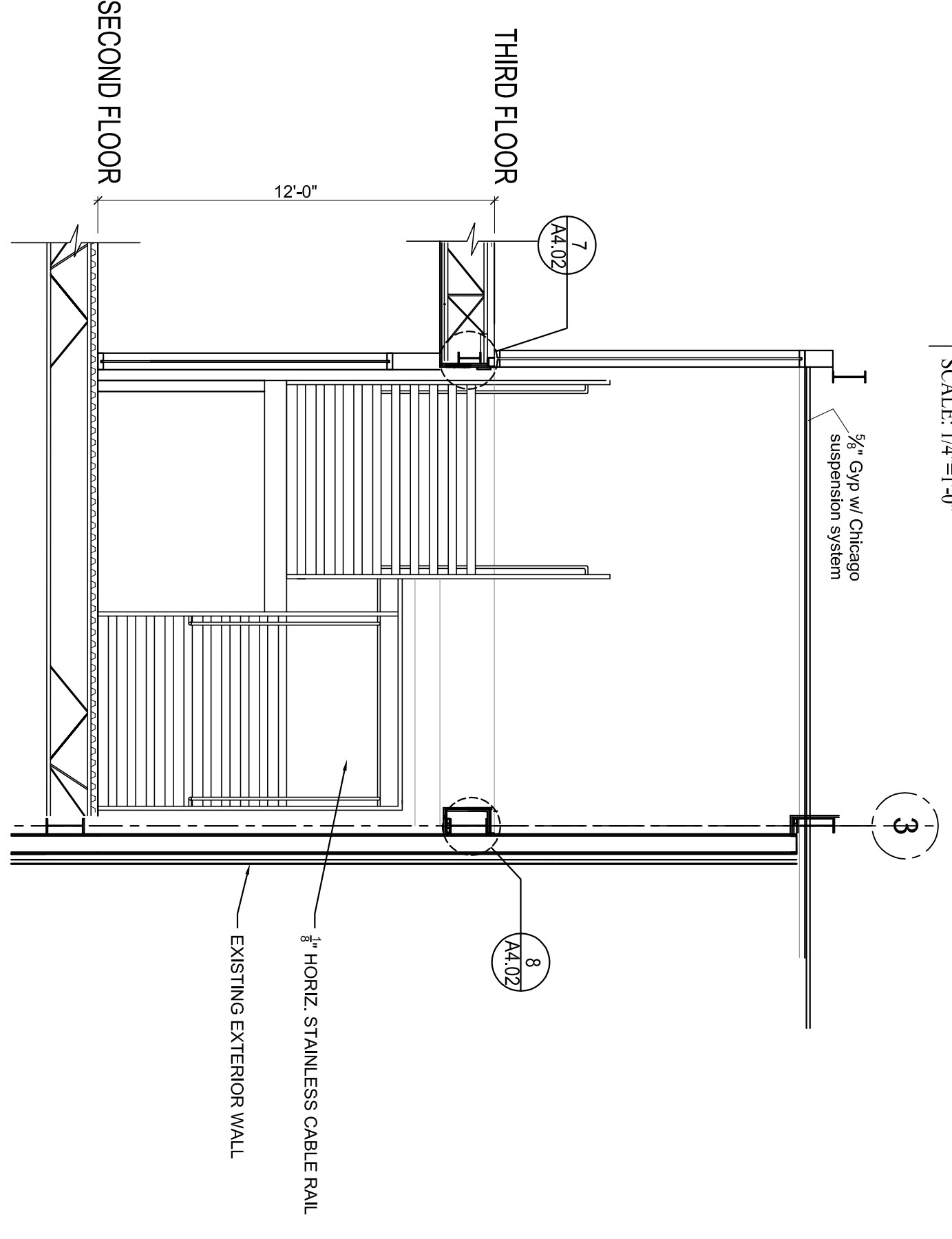
8 | BEAM WRAP  
SCALE: 1"=1'-0"



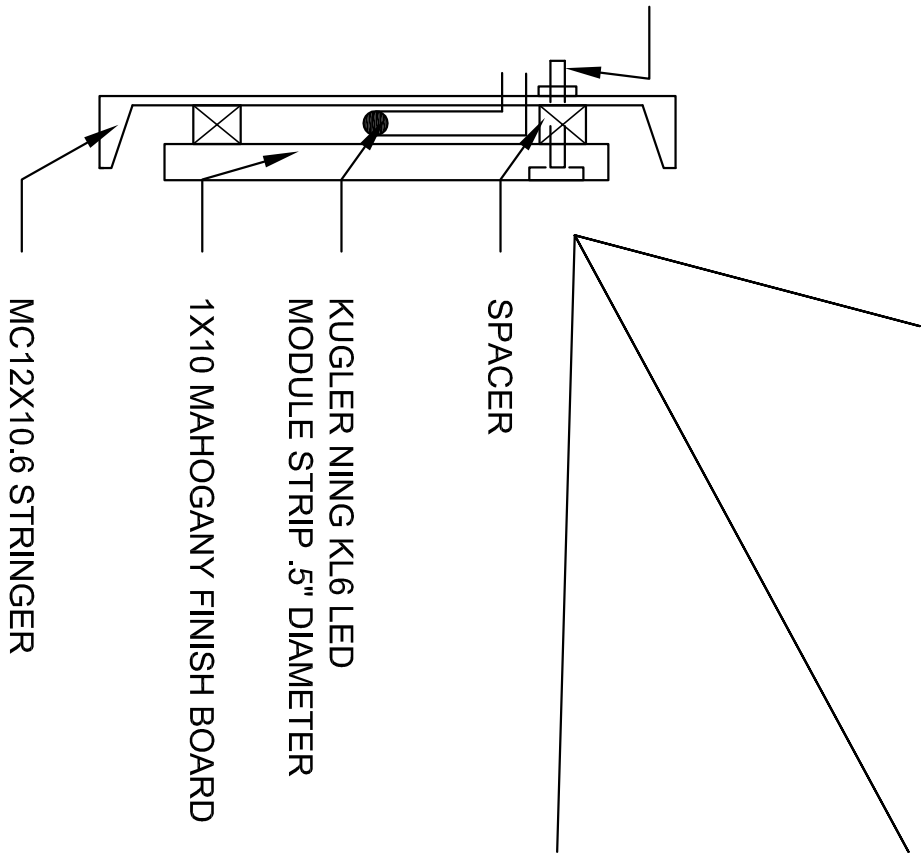
10 | BEAM FIREPROOFING  
SCALE: 1"=1'-0"



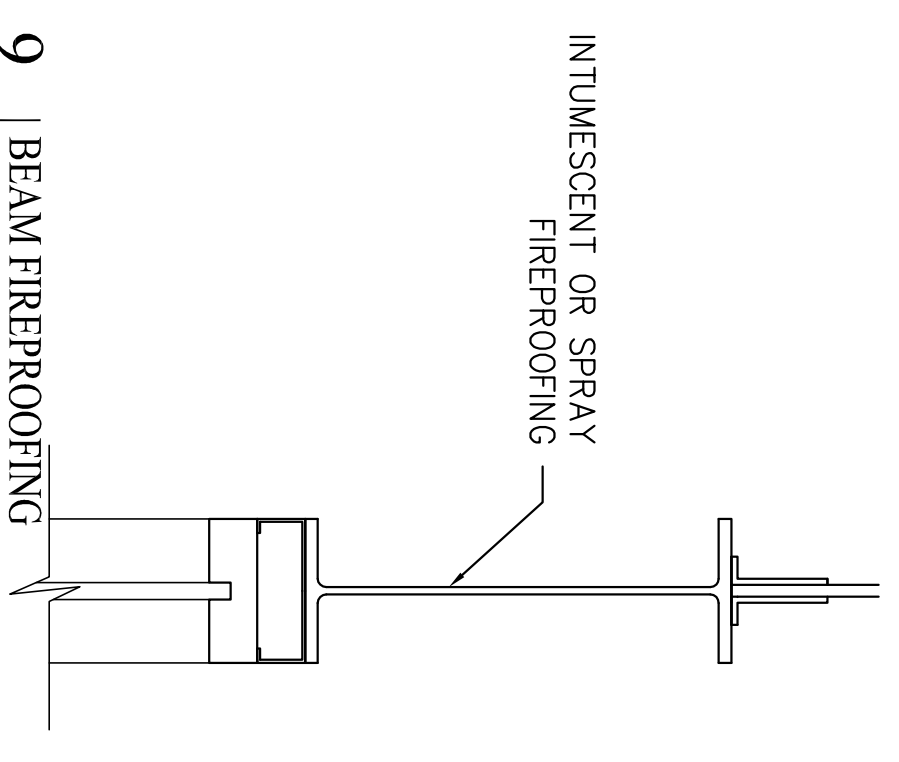
4 | STAIR SECTION A  
SCALE: 1/4"=1'-0"



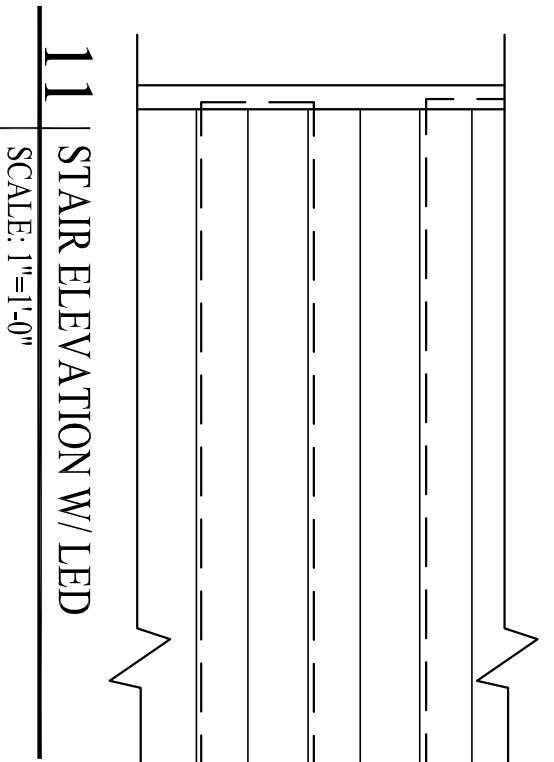
5 | STAIR SECTION B  
SCALE: 1/4"=1'-0"



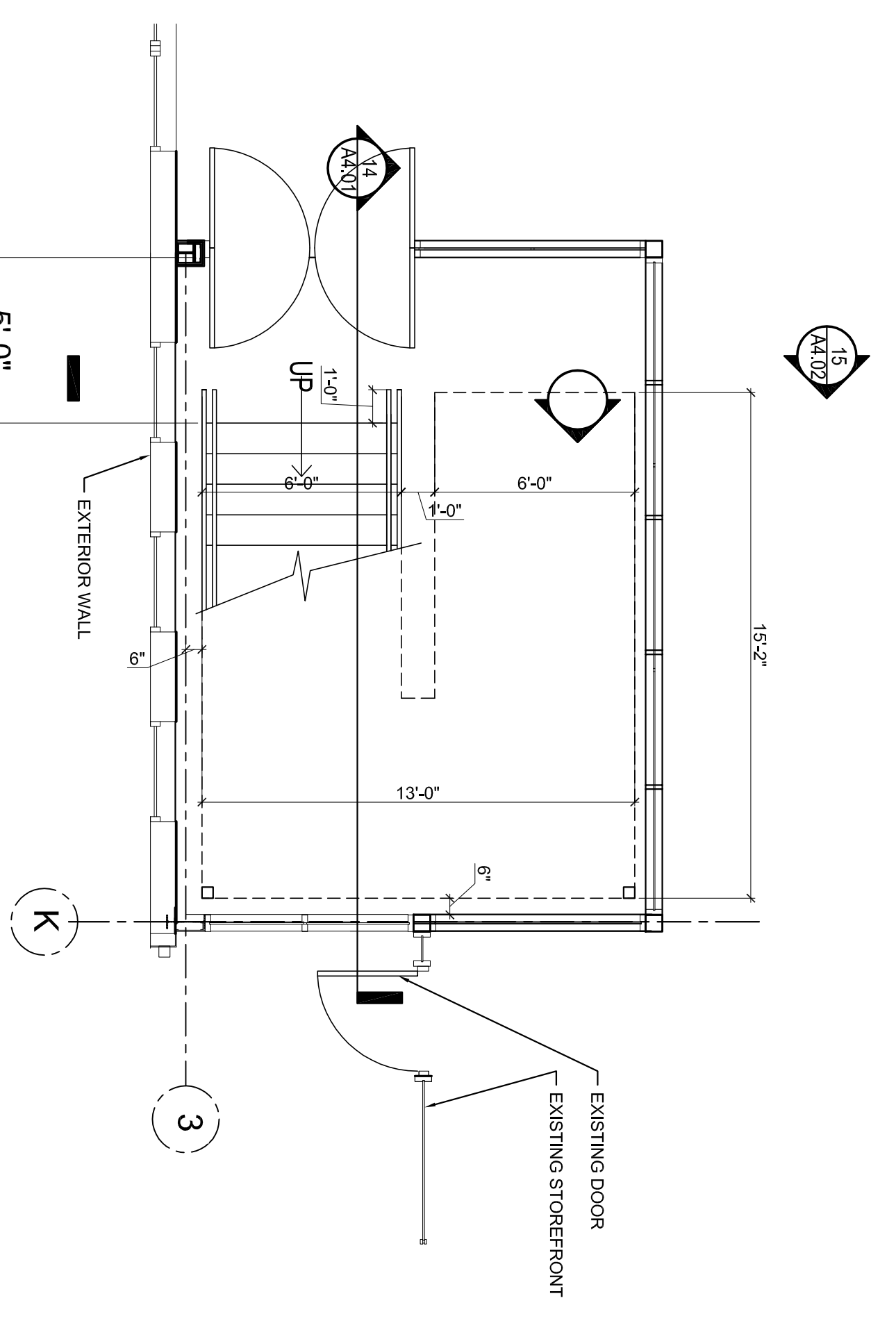
12 | STAIR STRINGER SECTION A  
SCALE: 3"=1'-0"



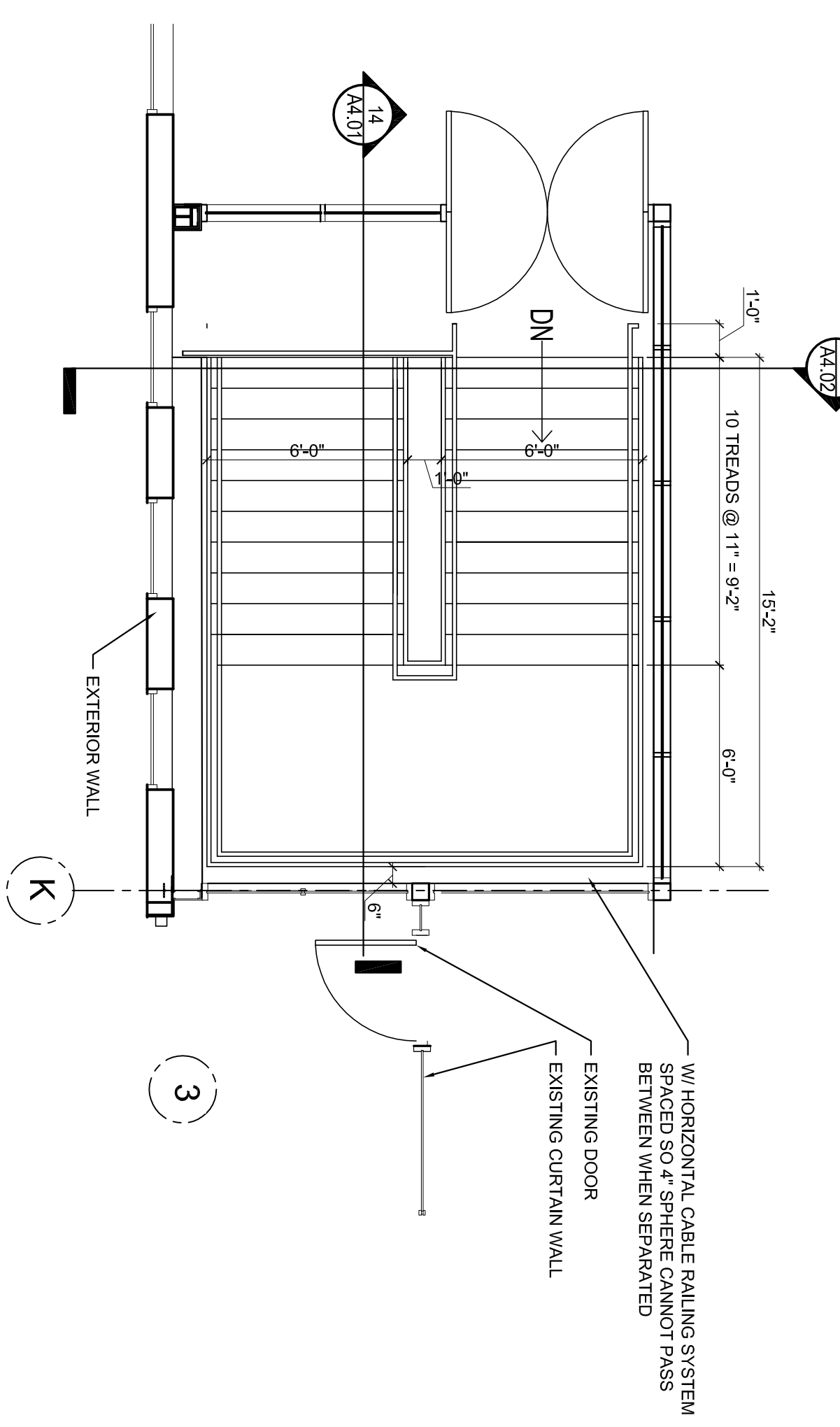
9 | BEAM FIREPROOFING  
SCALE: 1"=1'-0"



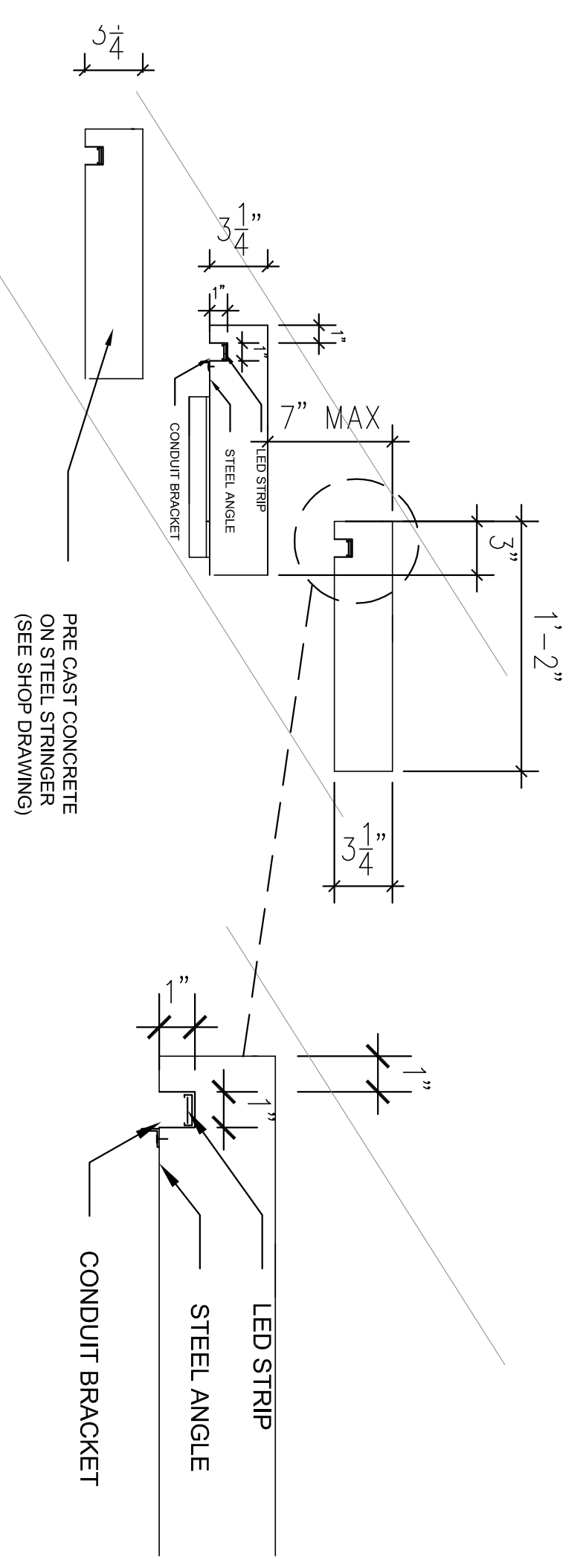
11 | STAIR ELEVATION W/ LED  
SCALE: 1"=1'-0"



1 | SECOND FLOOR STAIR PLAN  
SCALE: 1/4"=1'-0"



2 | THIRD FLOOR STAIR PLAN  
SCALE: 1/4"=1'-0"



3 | STAIR DETAIL  
SCALE: 1/2"=1'-0"

3A | STAIR DETAIL  
SCALE: 3"=1'-0"

<b>A4.02</b>	Date:	5-13-2015	Scale:	AS NOTED	Revisions:	5-22-2015 REVISION TO PERMIT SET	Project:	BUILDING A - MAINE WHARF INTERIOR FIT-UP PORTLAND SCIENCE CENTER	Architect:	ARCHETYPE	Consultant:	Prepared For:	MAINE WHARF LLC	
								MAINE WHARF, PORTLAND ME	48 Union Wharf Portland, Maine 04101 (207) 772-6022 Fax (207) 772-4056			72 COMMERCIAL STREET PORTLAND, ME 04101		