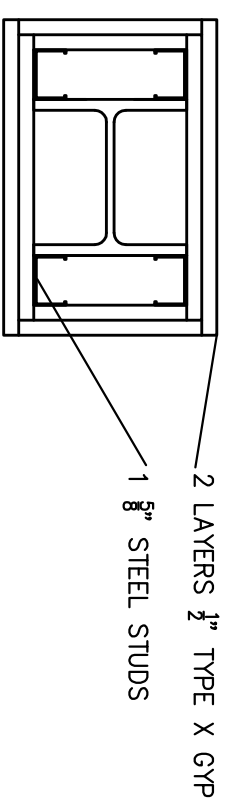


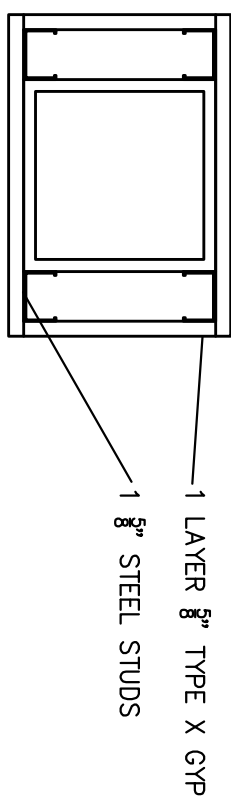
NOTE: CONFIRM STUD SPACING W/ PLUMBING FIXTURES USED

GA NO. CM 1602 - OR EQUAL  
1 HR FIRE RATED  
UL - NC505



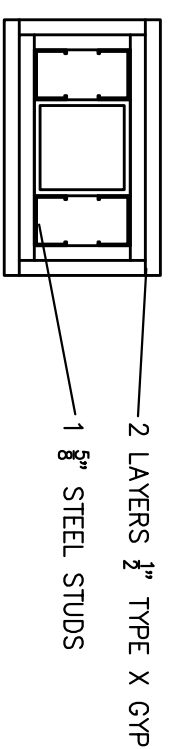
**1** | WIDE FLANGE COLUMN WRAP  
SCALE: 1/2"=1'-0"

GA NO. CM 1851 - OR EQUAL  
1 HR FIRE RATED  
UL - NC505



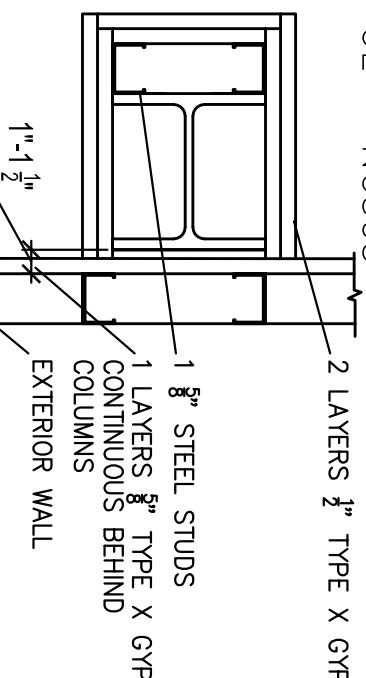
**2** | 8" STEEL COLUMN WRAP  
SCALE: 1/2"=1'-0"

GA NO. CM 1452 - OR EQUAL  
1 HR FIRE RATED  
UL - NC505

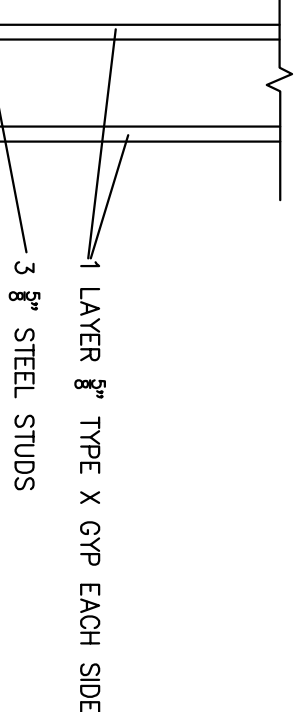


**3** | 4" STEEL COLUMN WRAP  
SCALE: 1/2"=1'-0"

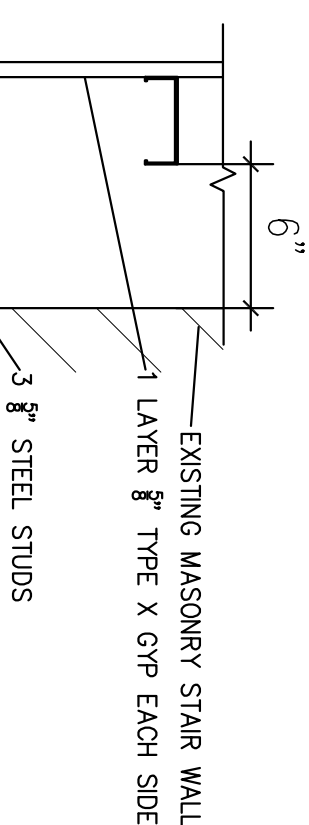
GA NO. CM 1602 - OR EQUAL  
1 HR FIRE RATED  
UL - NC505



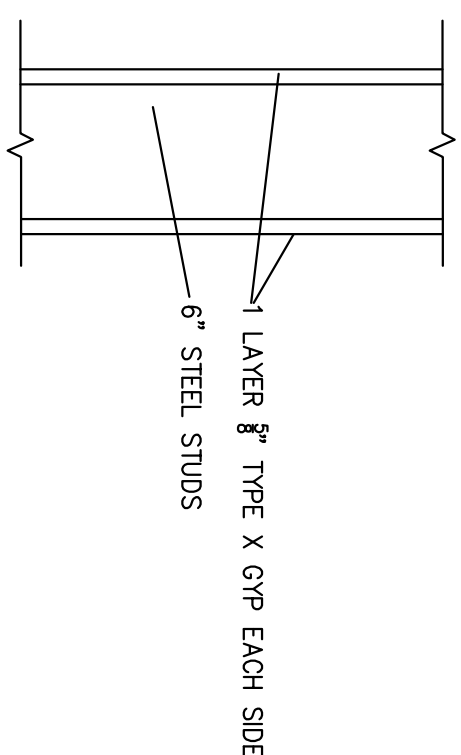
**6** | WIDE FLANGE COLUMN WRAP @ EXTERIOR WALL  
SCALE: 1/2"=1'-0"



**7** | W1 - NON-BEARING PARTITION CONSTRUCTION  
SCALE: 1/2"=1'-0"

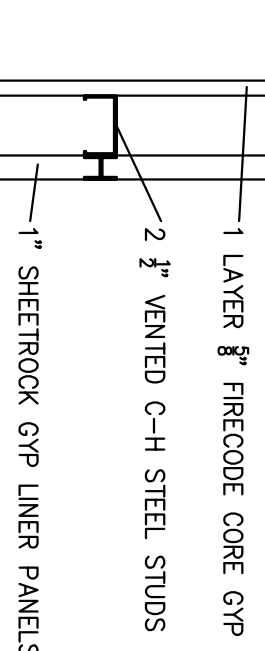


**8** | W2 - PLUMBING WALL @ STAIR SHAFT WALL  
SCALE: 1/2"=1'-0"

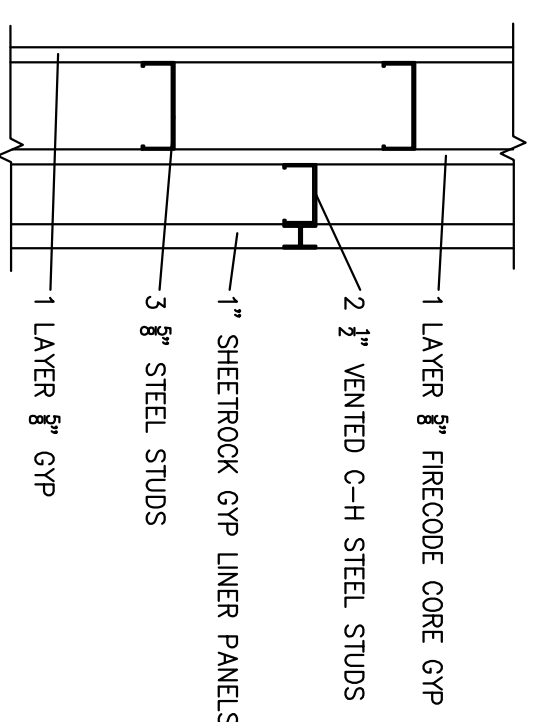


**9** | W3 - PLUMBING WALL  
SCALE: 1/2"=1'-0"

GA NO. WP 7008 - OR EQUAL  
1 HR FIRE RATED  
UL - R1319



**10** | W4 - SHAFT WALL  
SCALE: 1/2"=1'-0"

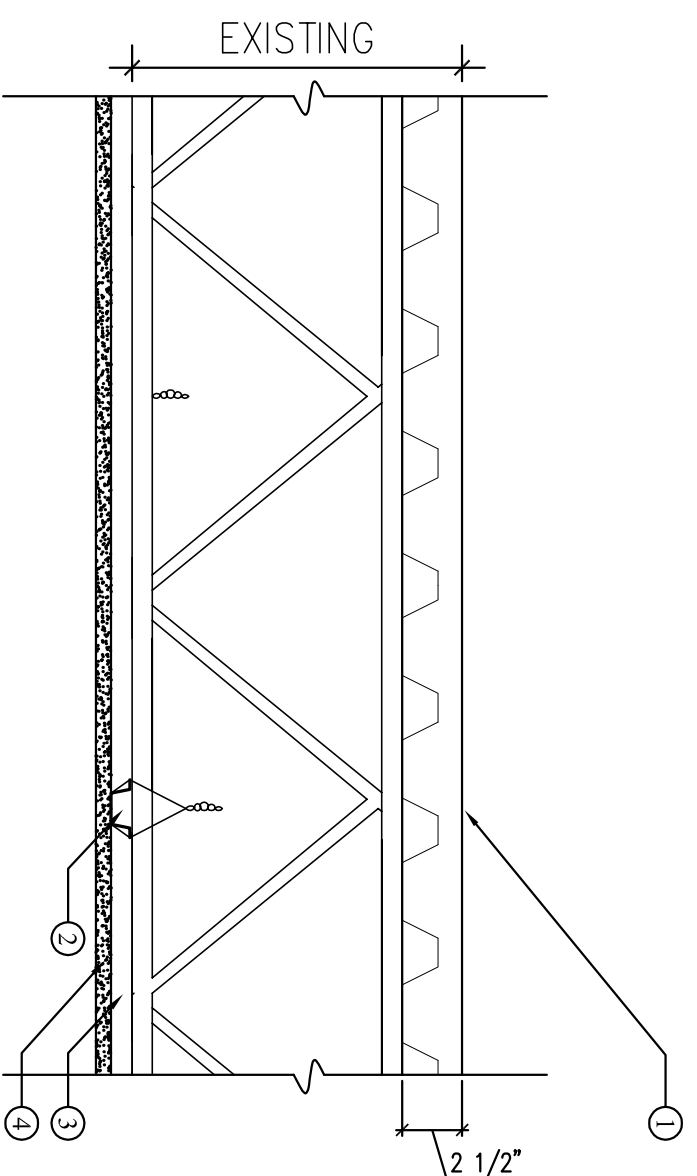


**11** | W5 - PLUMBING WALL @ SHAFT WALL  
SCALE: 1/2"=1'-0"

**[FC-1]** FLOOR CEILING ASSEMBLY  
1 HOUR RATED  
UL G561

- Slab and metal deck on steel joist
- Tie Wire - No. 18 SWG (0.048 in. diam) galv steel wire.
- Furring Channels - Min 0.021 in. thick (23 gauge) galv steel, 7/8 in. high, 2-5/8 in. base width and 1/4 in. face width.
- 2x8 in. base joist and 2x14 in. face joist.
- Joist System - (Not shown) Paper tape embedded in joint compound over joints, and covered with two layers of compound with edges feathered out. Gypsum board screw heads covered with two layers of compound.

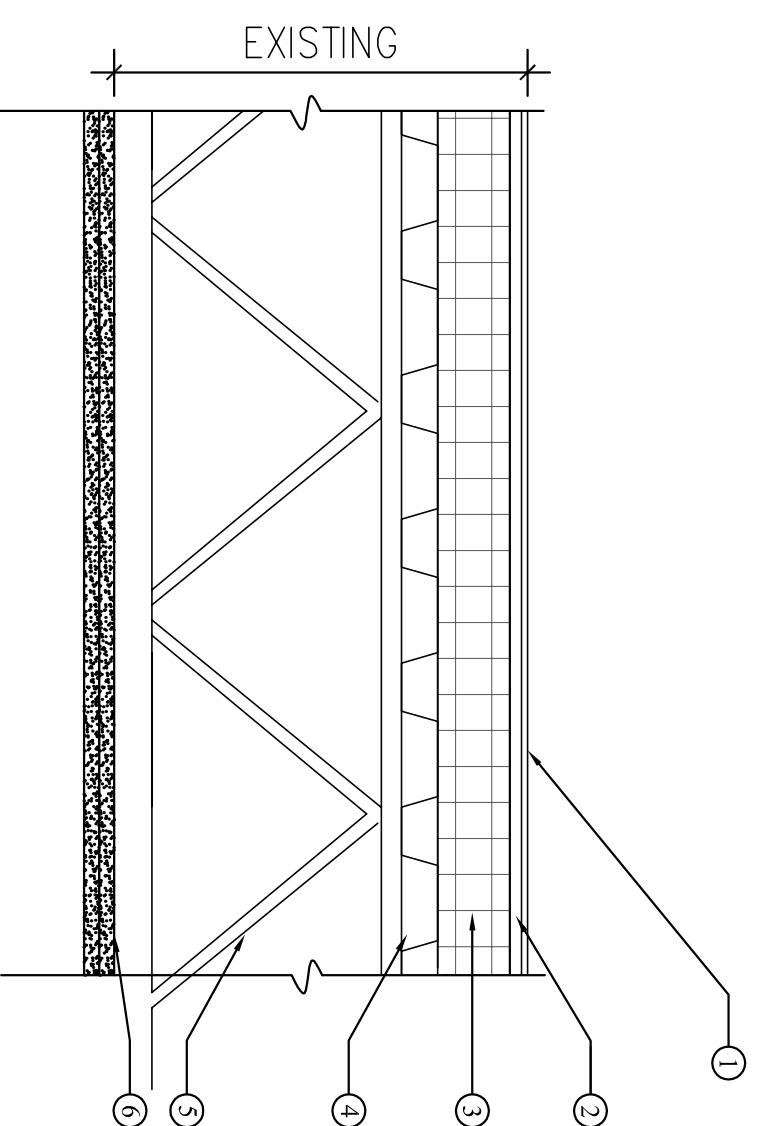
**4** | FLOOR CEILING ASSEMBLY  
SCALE: 1/2"=1'-0"



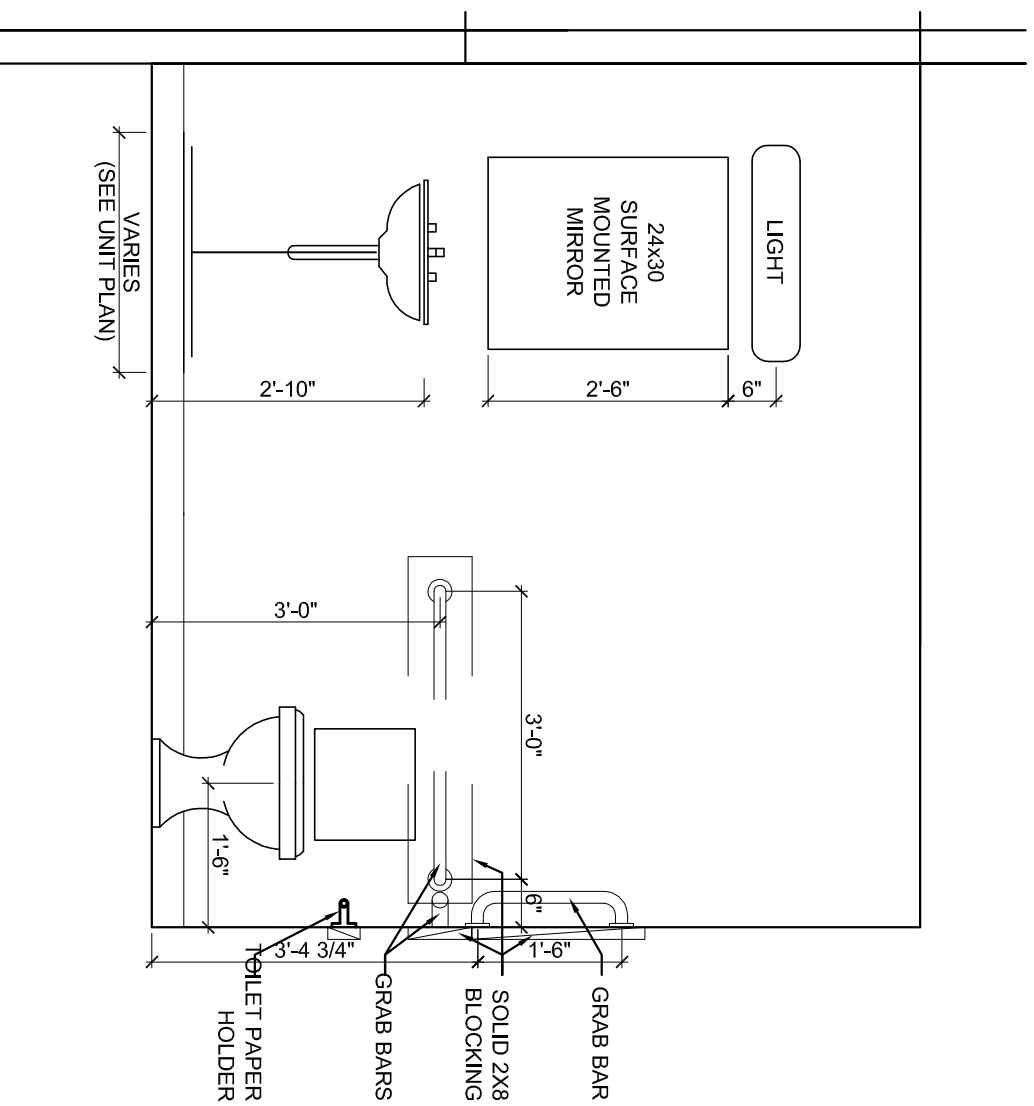
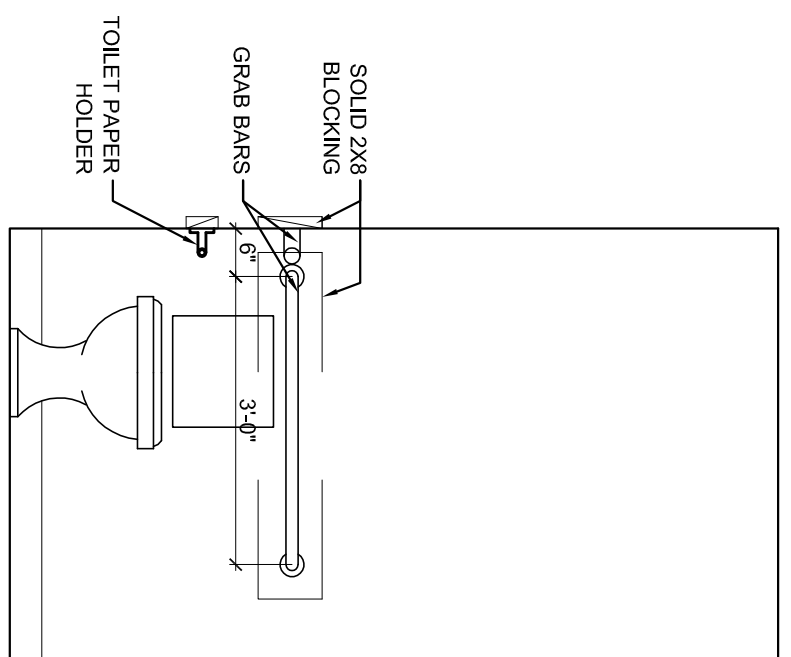
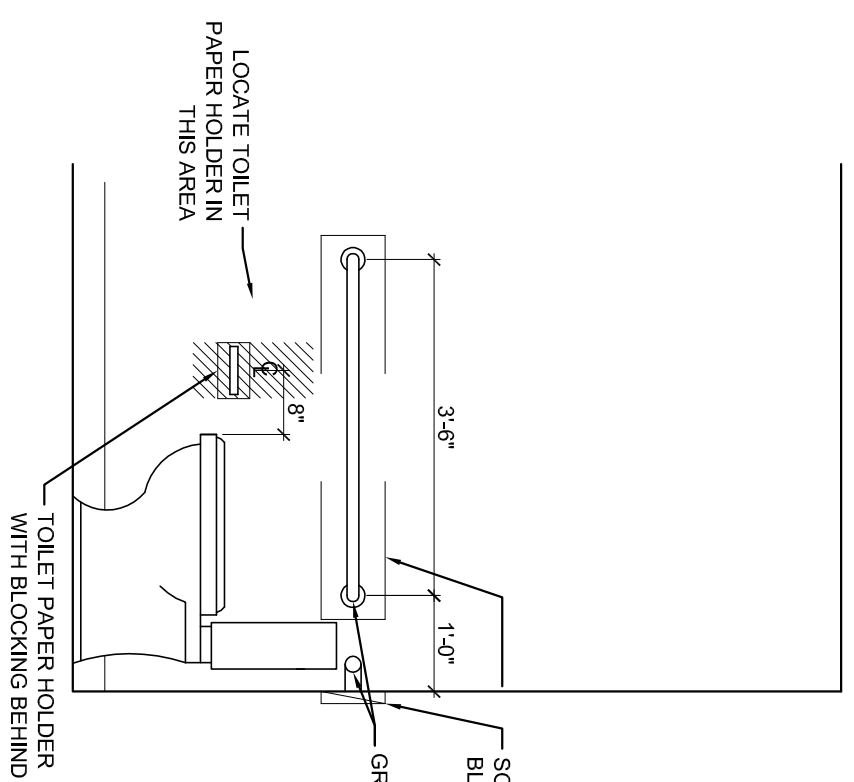
**[RC-1]** ROOF CEILING ASSEMBLY  
1 HOUR RATED

GA FILE NOS. FC5406 AND RC 2601

- EPDM
- DENSDECK
- 3" POLY-ISO RIGID INSULATION
- RELOCATED EXISTING DECKING OR NEW METAL DECKING (SEE STRUCTURAL)
- RELOCATED AND SLOPED ROOF JOISTS
- 2 LAYERS OF 1/2" TYPE X GYPSUM BOARD

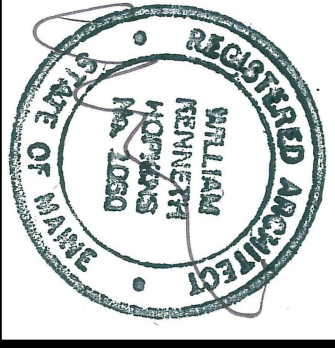


**5** | ROOF CEILING ASSEMBLY  
SCALE: 1/2"=1'-0"



**12** | ADA TOILET DETAILS  
SCALE: 1/2"=1'-0"

**13** | ADA UNISEX TOILET DETAILS  
SCALE: 1/2"=1'-0"



Prepared For:  
**MAINE WHARF LLC**  
72 COMMERCIAL STREET  
PORTLAND, ME 04101

Consultant:

Architect:  
**ARCHETYPE**  
48 Union Wharf Portland, Maine 04101  
(207) 772-6022 Fax (207) 772-4056

Project:  
**BUILDING A - MAINE WHARF  
INTERIOR FIT-UP  
PORTLAND SCIENCE CENTER**  
MAINE WHARF,  
PORTLAND ME

Revisions:  
5-22-2015 REVISION TO PERMIT SET

Scale:  
**AS NOTED**

Date:  
5-13-2015

**A4.01**

DETAILS