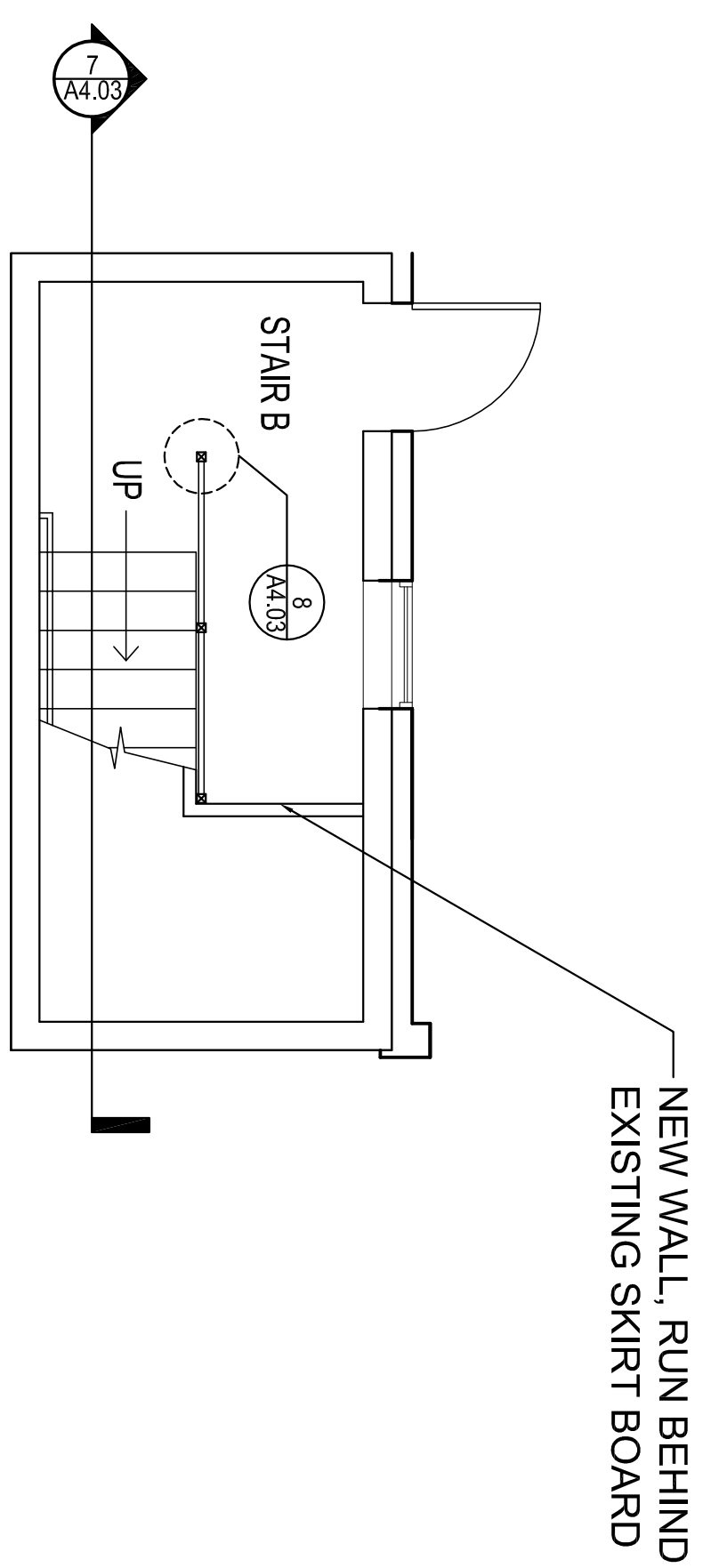
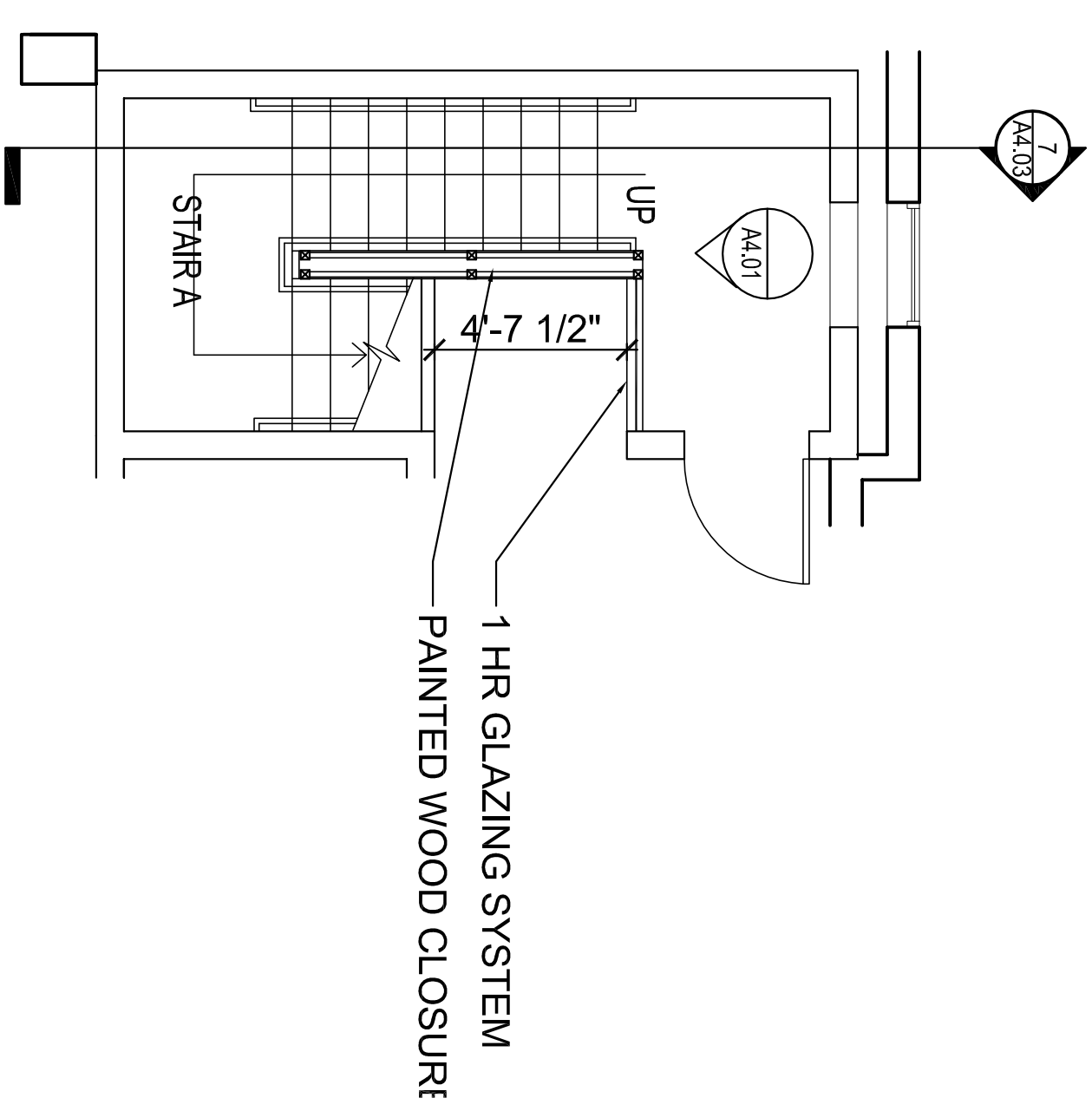


7 | STAIR SECTION - STAIR A AND B
SCALE: 1/4"=1'-0"

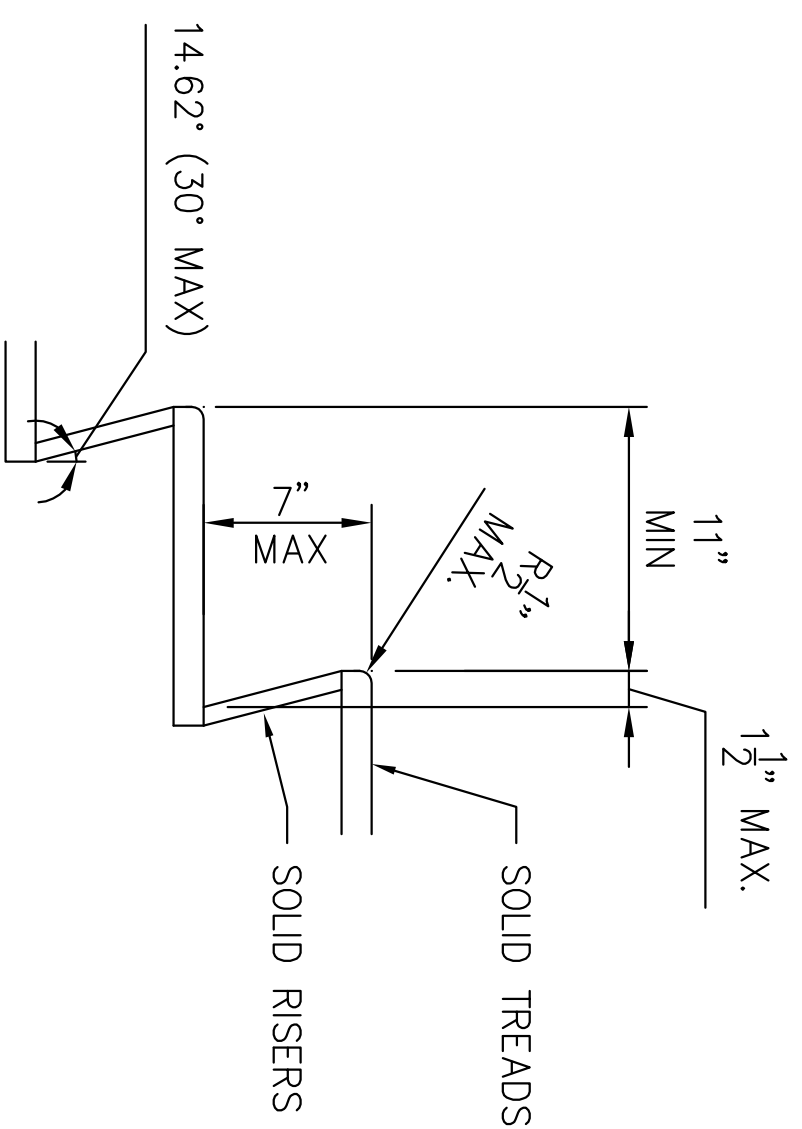
1" HORIZ. STAINLESS CABLE RAIL SPACED SO 4" SPHERE CANNOT PASS BETWEEN WHEN SEPARATED
JOHNSONITE BAMBOO TREAD AND RISER COLOR TBD
2-1/2" x 2-1/2" NEW STEEL TUBE
NEW WALL, RUN BEHIND EXISTING SKIRT BOARD



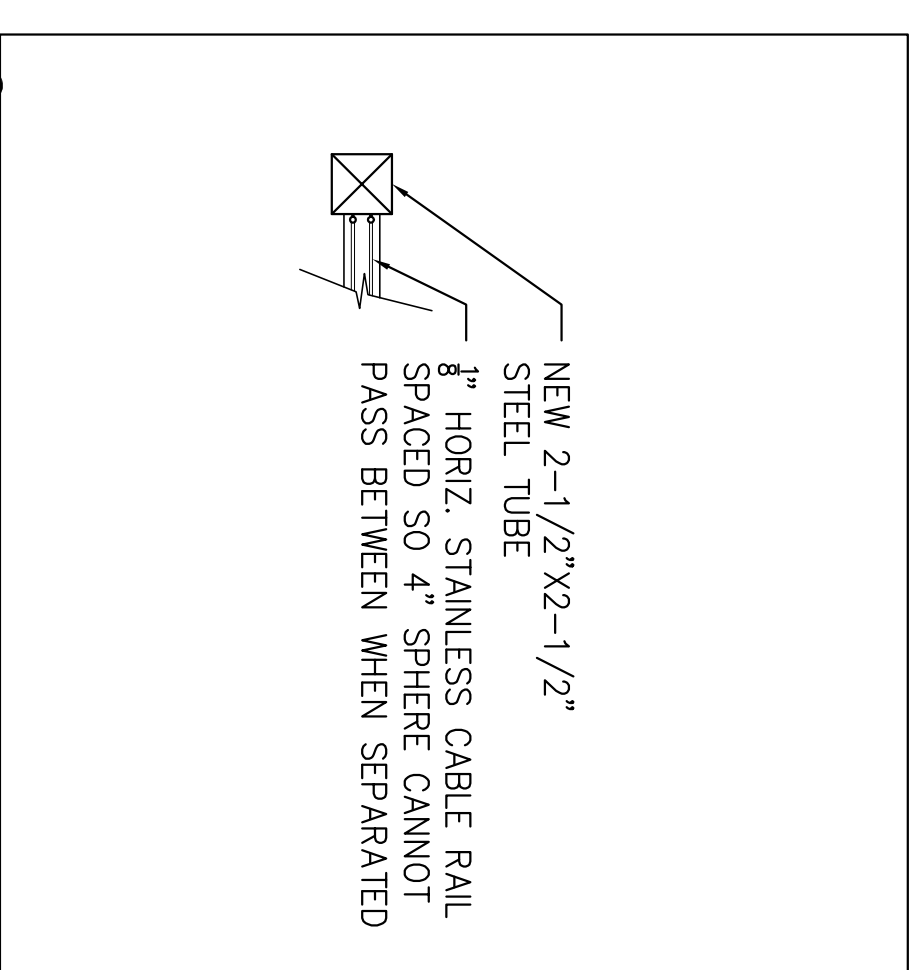
4 | FIRST FLOOR STAIR PLAN - STAIR B
SCALE: 1/4"=1'-0"



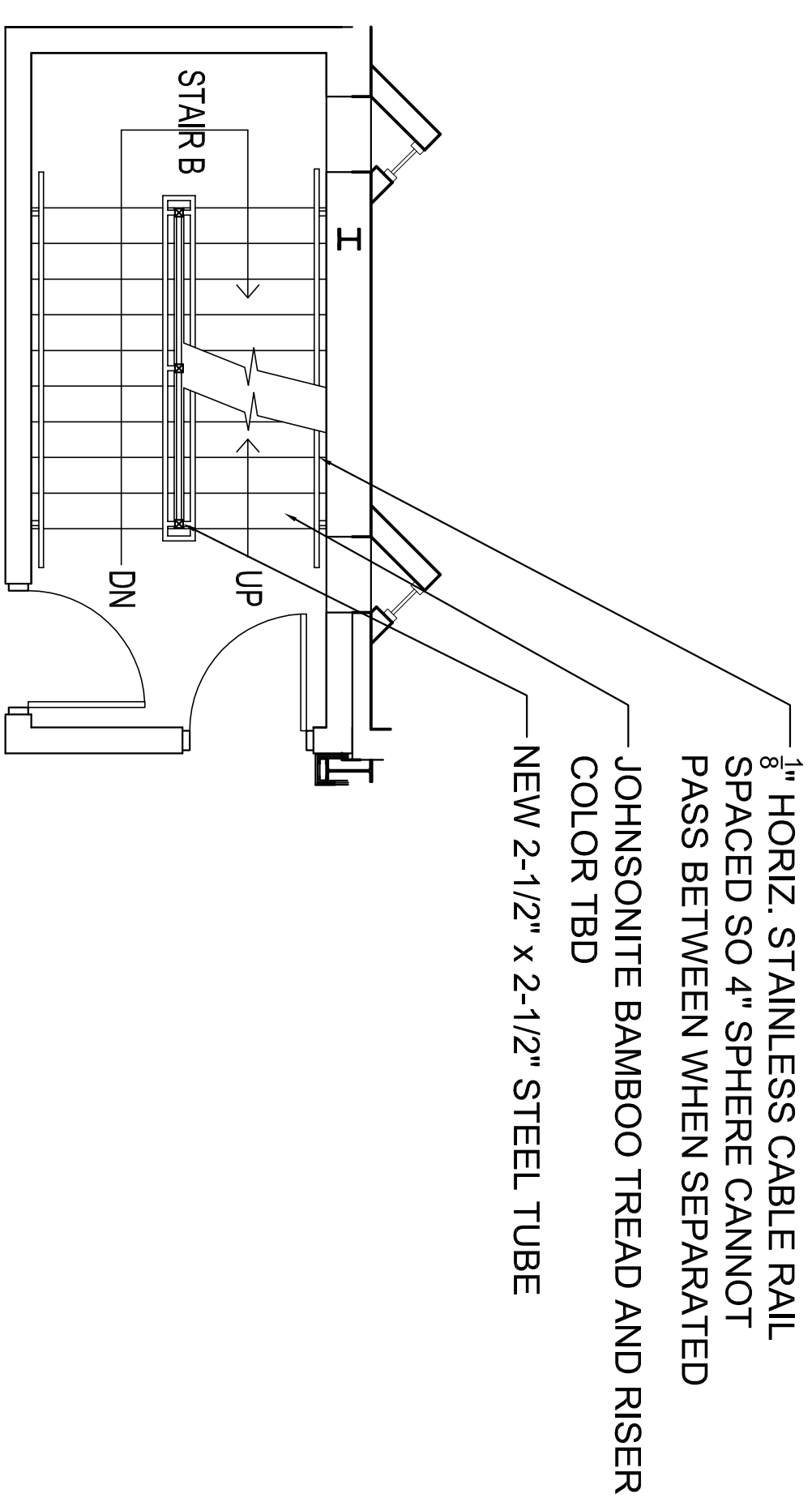
1 | FIRST FLOOR STAIR PLAN - STAIR A
SCALE: 1/4"=1'-0"



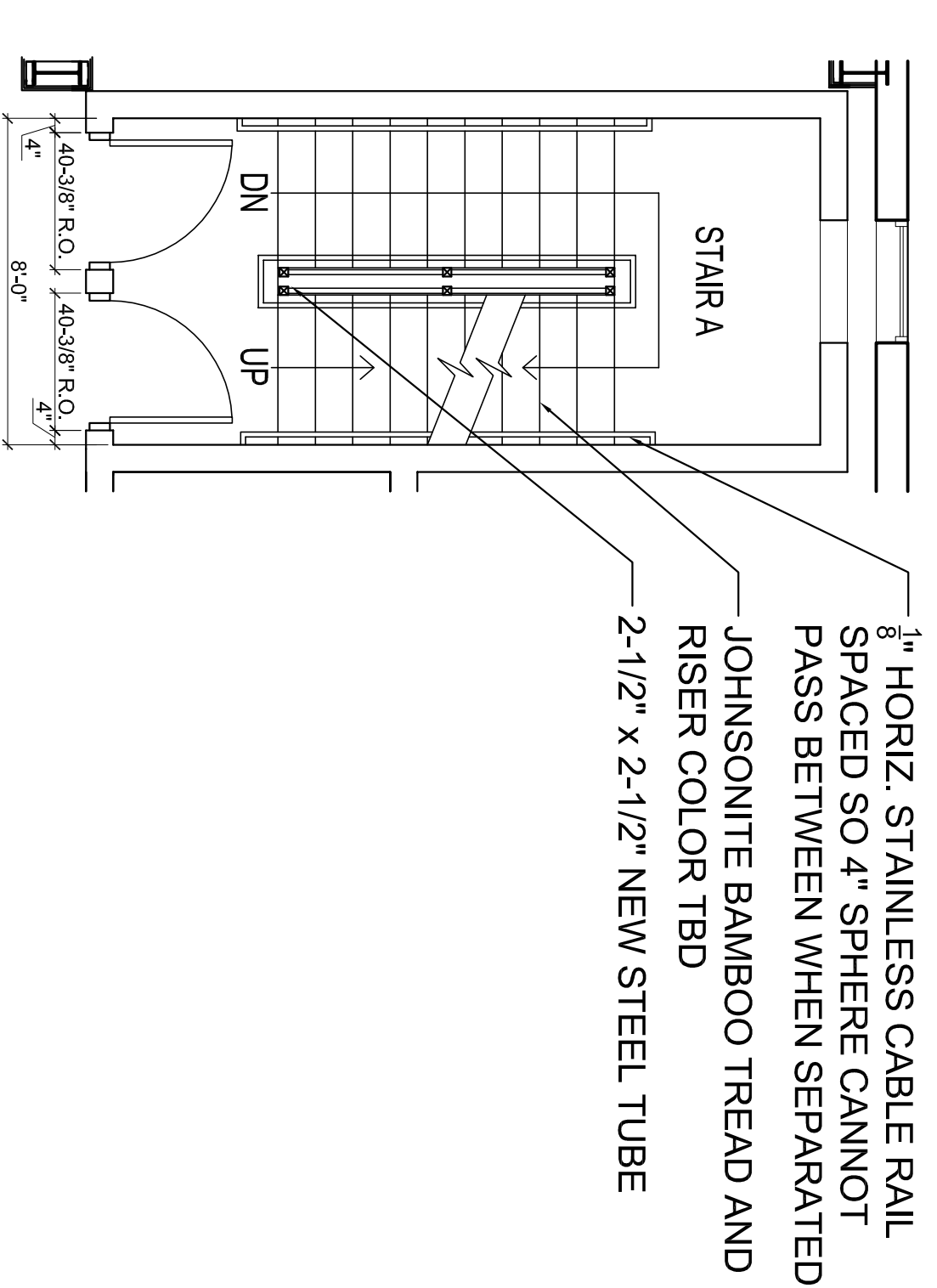
8 | STAIR DETAIL
SCALE: 1/2"=1'-0"



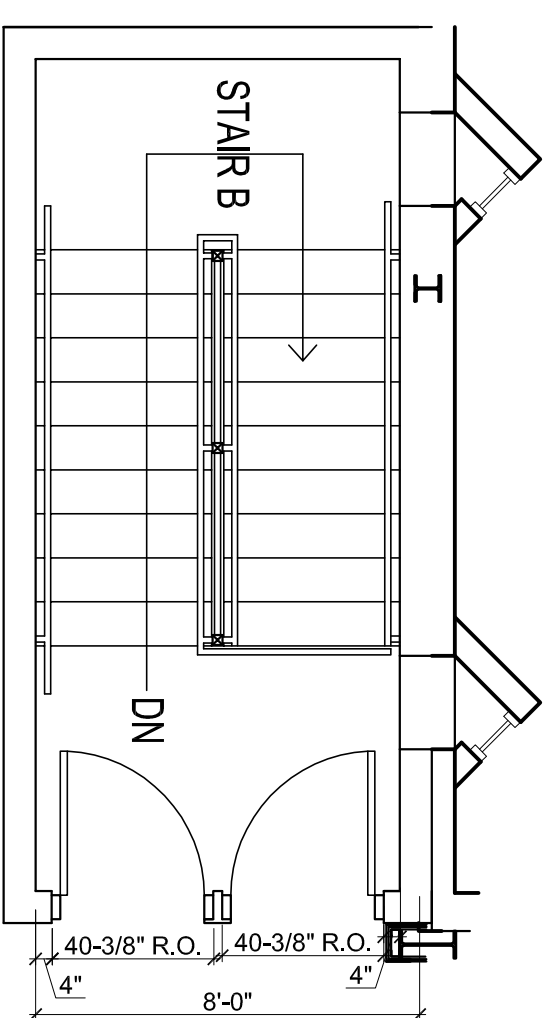
8 | STAIR DETAIL
SCALE: 1/2"=1'-0"



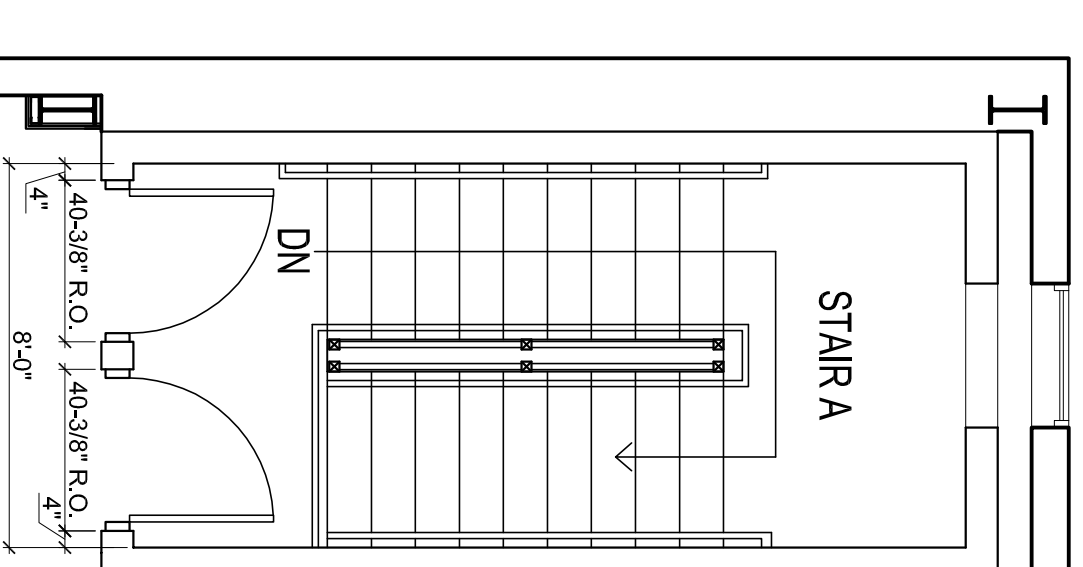
5 | SECOND FLOOR STAIR PLAN - STAIR B
SCALE: 1/4"=1'-0"



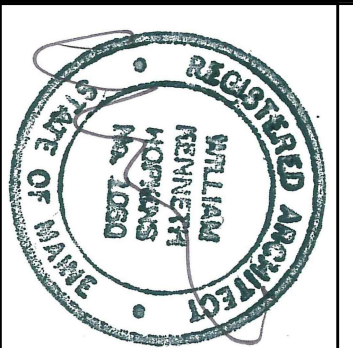
2 | SECOND FLOOR STAIR PLAN - STAIR A
SCALE: 1/4"=1'-0"



6 | THIRD FLOOR STAIR PLAN - STAIR B
SCALE: 1/4"=1'-0"



2 | THIRD FLOOR STAIR PLAN - STAIR A
SCALE: 1/4"=1'-0"



Prepared For:
MAINE WHARF LLC
72 COMMERCIAL STREET
PORTLAND, ME 04101

Consultant:

Architect:
ARCHETYPE
48 Union Wharf Portland, Maine 04101
(207) 772-6022 Fax (207) 772-4056

Project:
**BUILDING A - MAINE WHARF
INTERIOR FIT-UP
PORTLAND SCIENCE CENTER**
MAINE WHARF,
PORTLAND ME

Revisions:

Scale: **AS NOTED**

Date: **5-13-2015**

STAIR DETAILS

A4.03