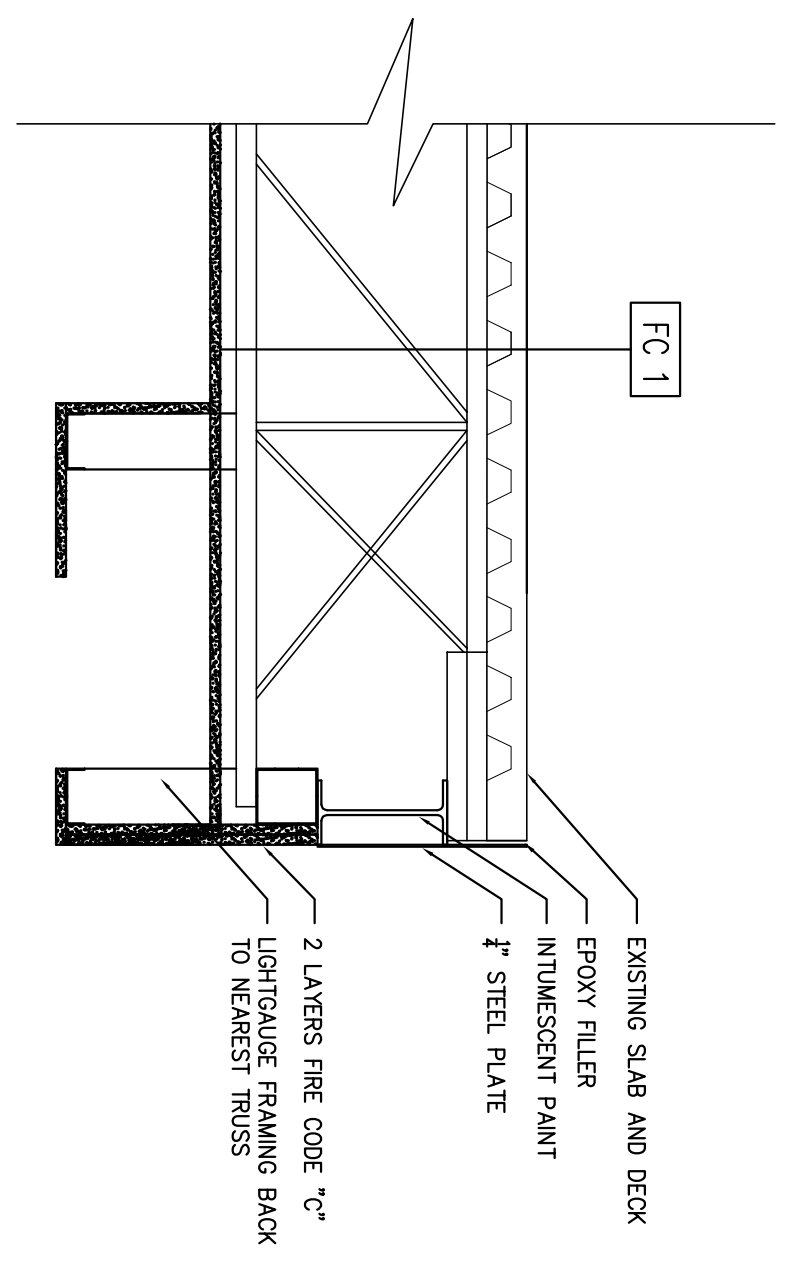
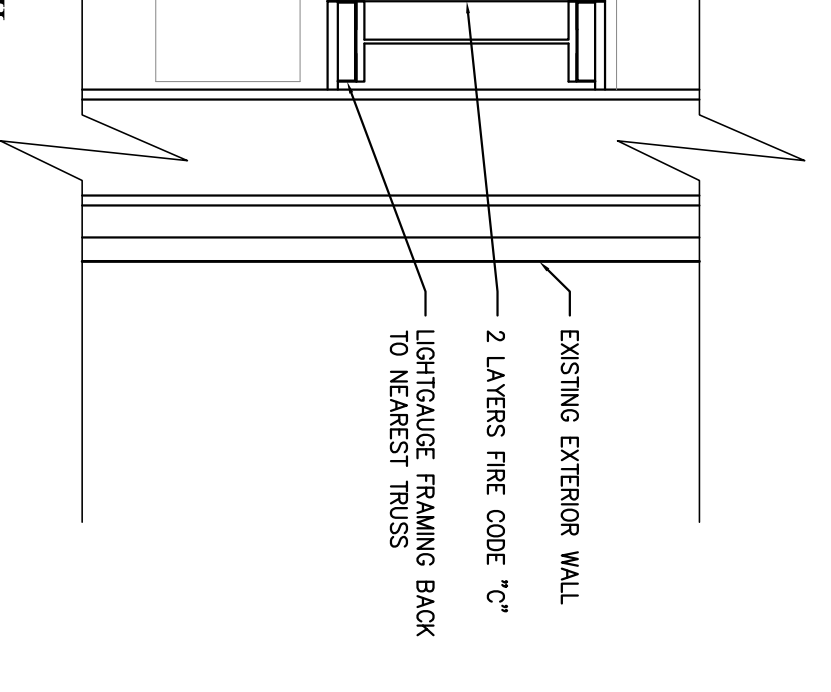


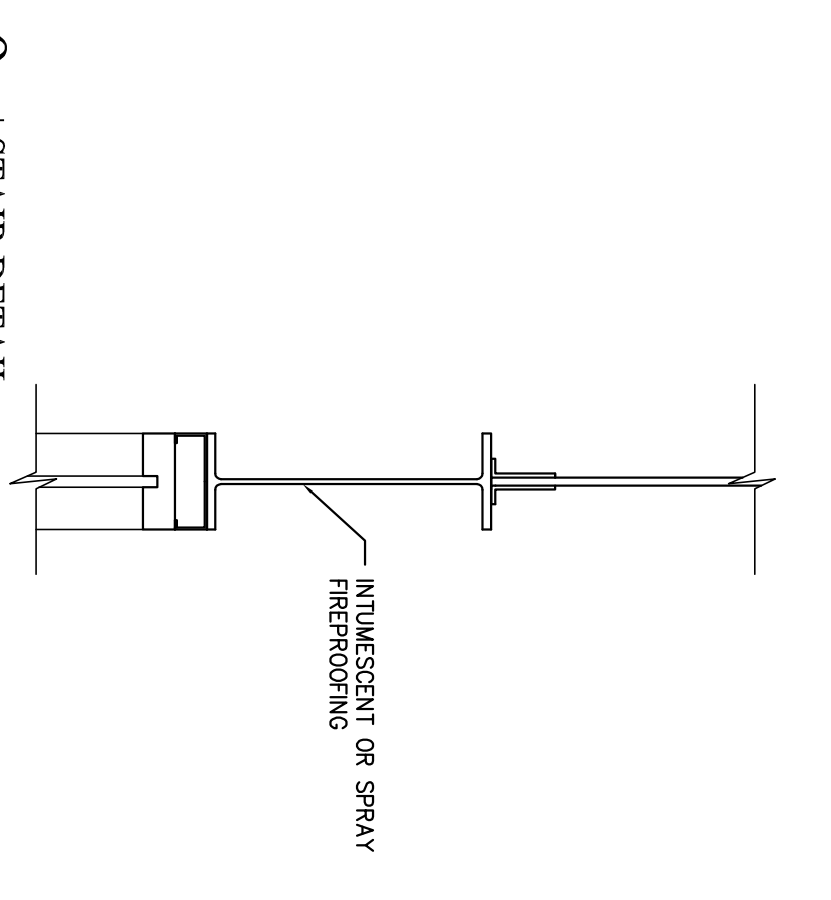
6 | STAIR DETAIL
SCALE: 1"=1'-0"



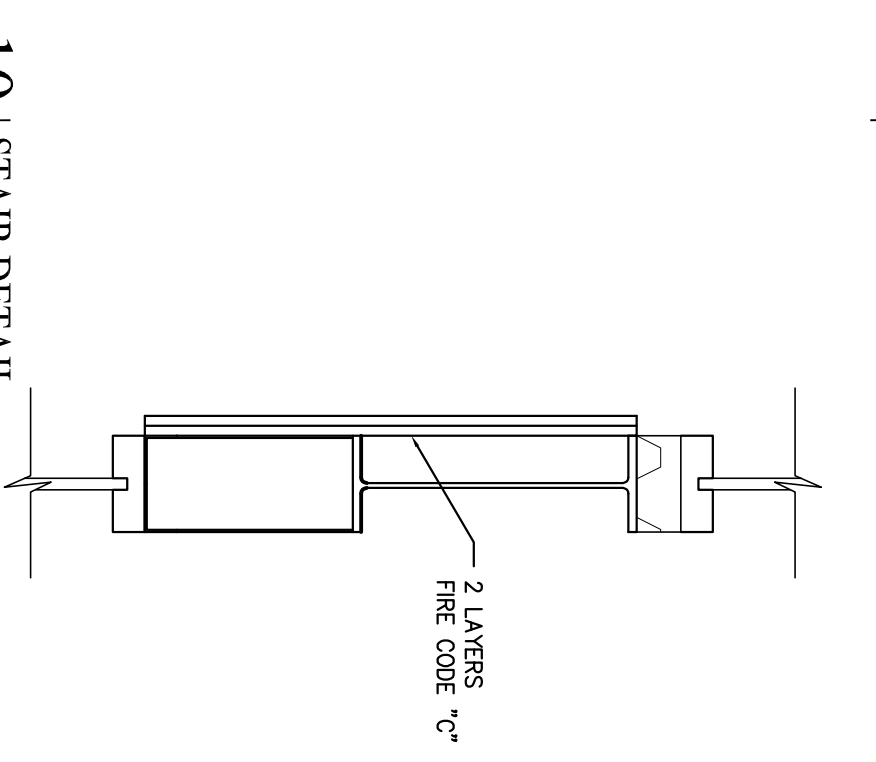
7 | STAIR DETAIL
SCALE: 1"=1'-0"



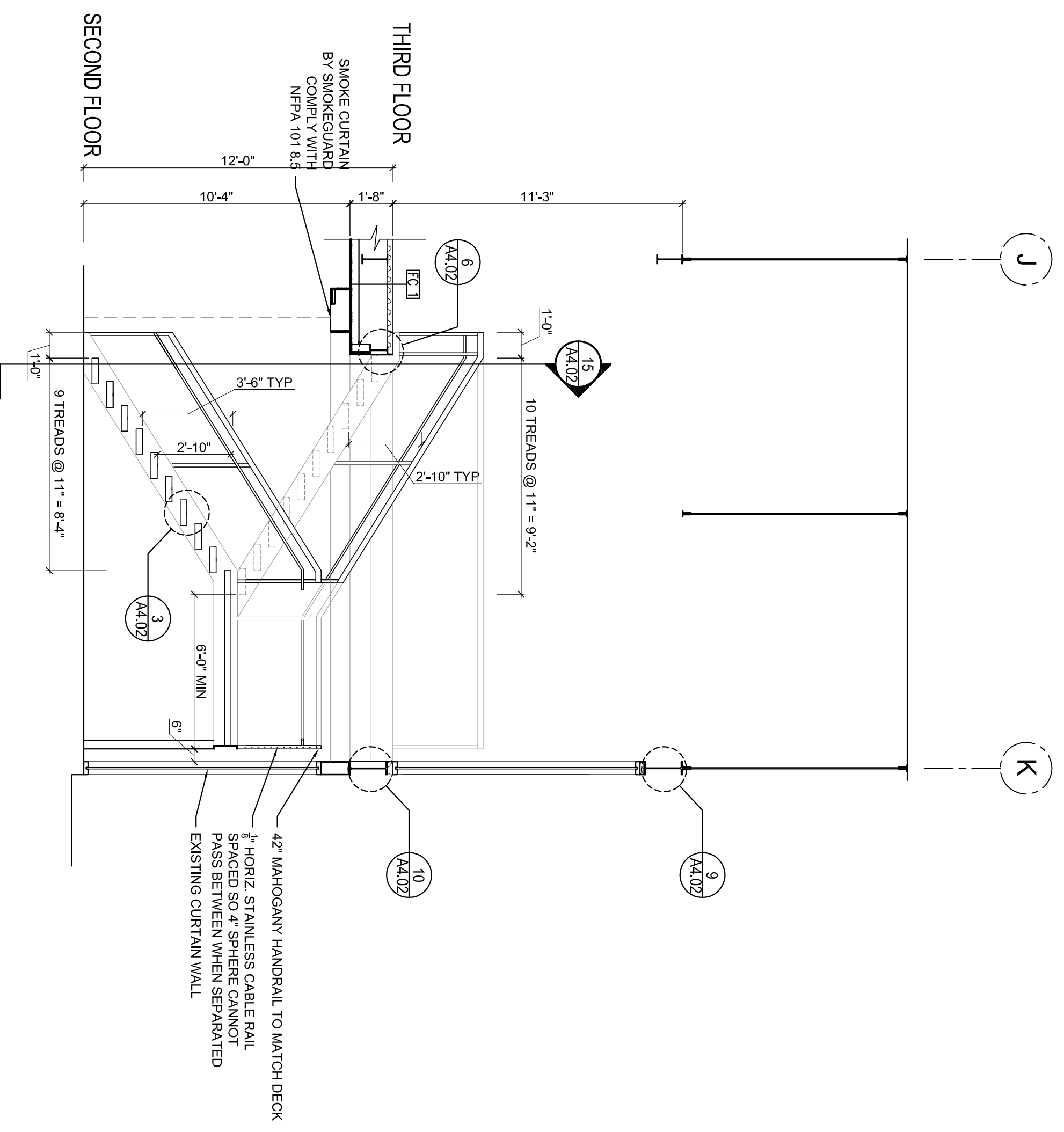
8 | STAIR DETAIL
SCALE: 1"=1'-0"



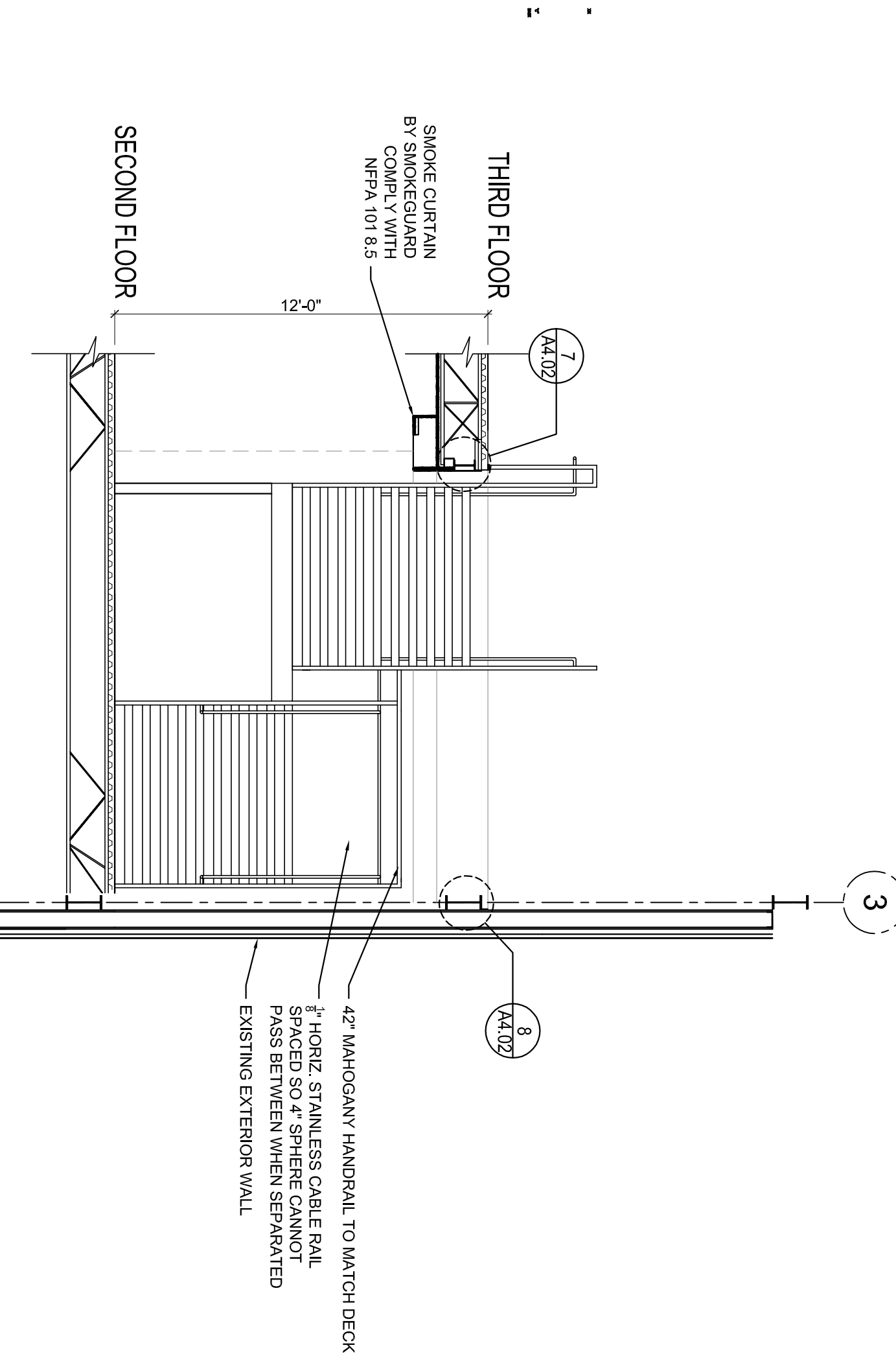
9 | STAIR DETAIL
SCALE: 1"=1'-0"



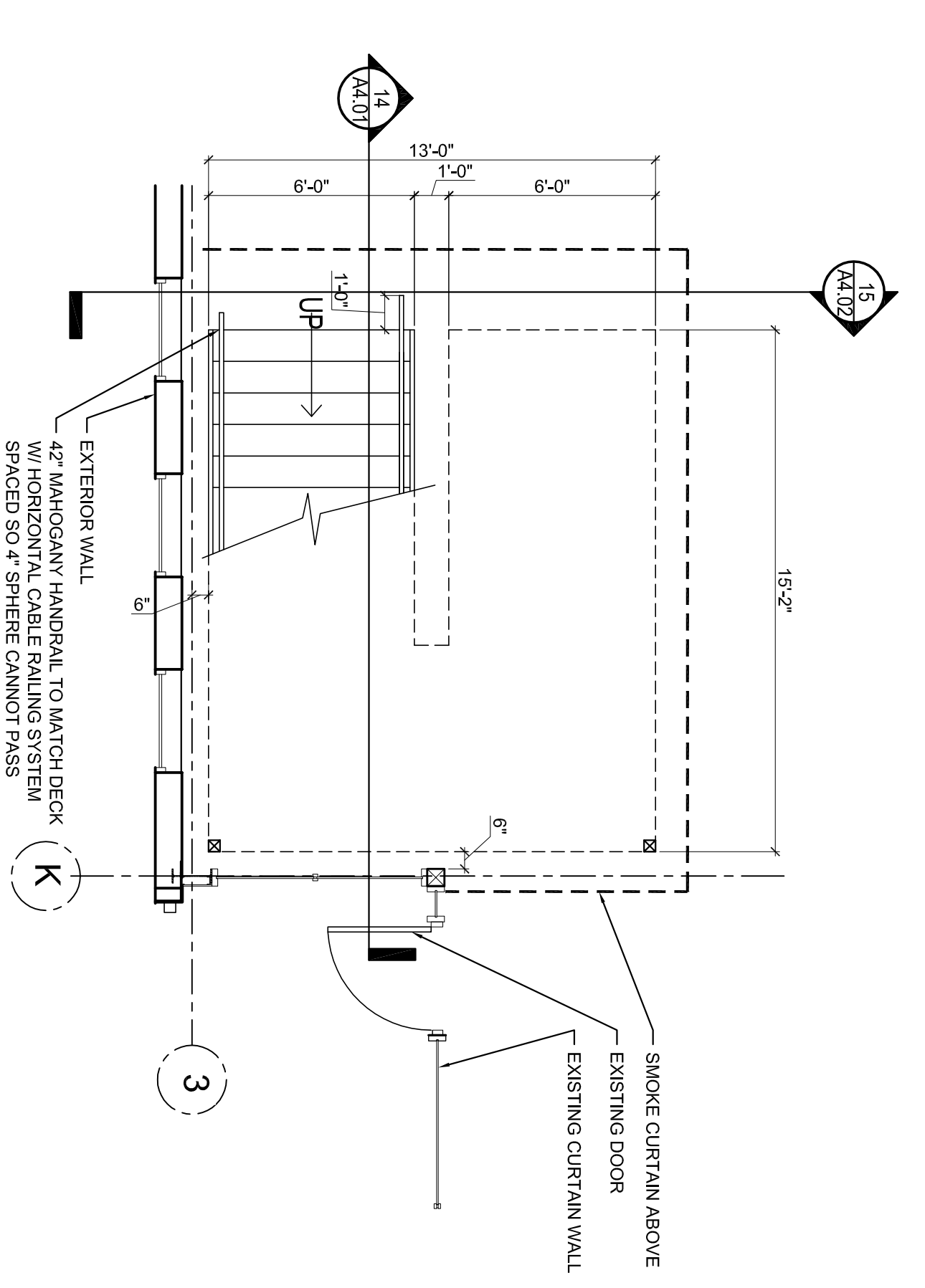
10 | STAIR DETAIL
SCALE: 1"=1'-0"



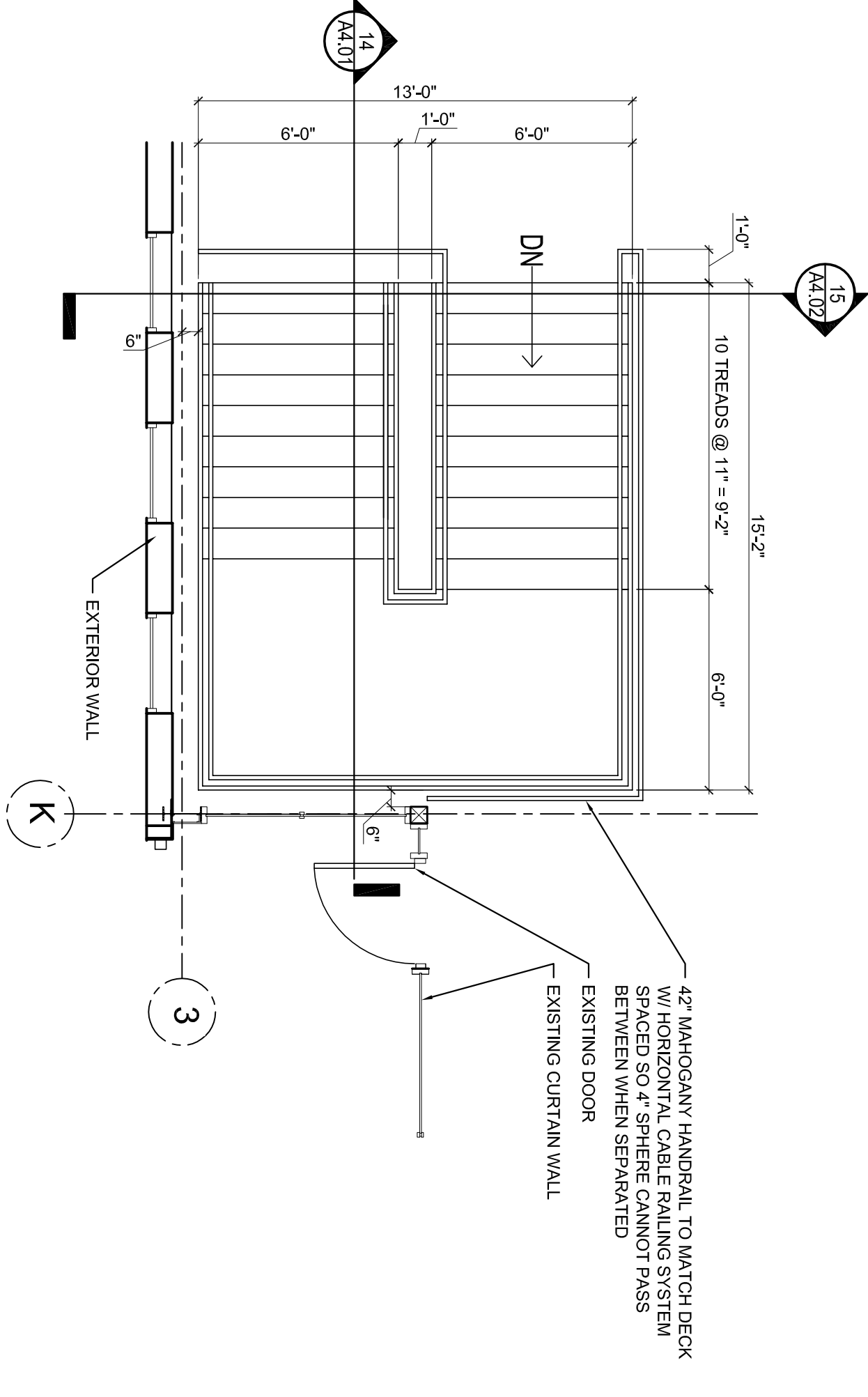
4 | STAIR SECTION A
SCALE: 1/4"=1'-0"



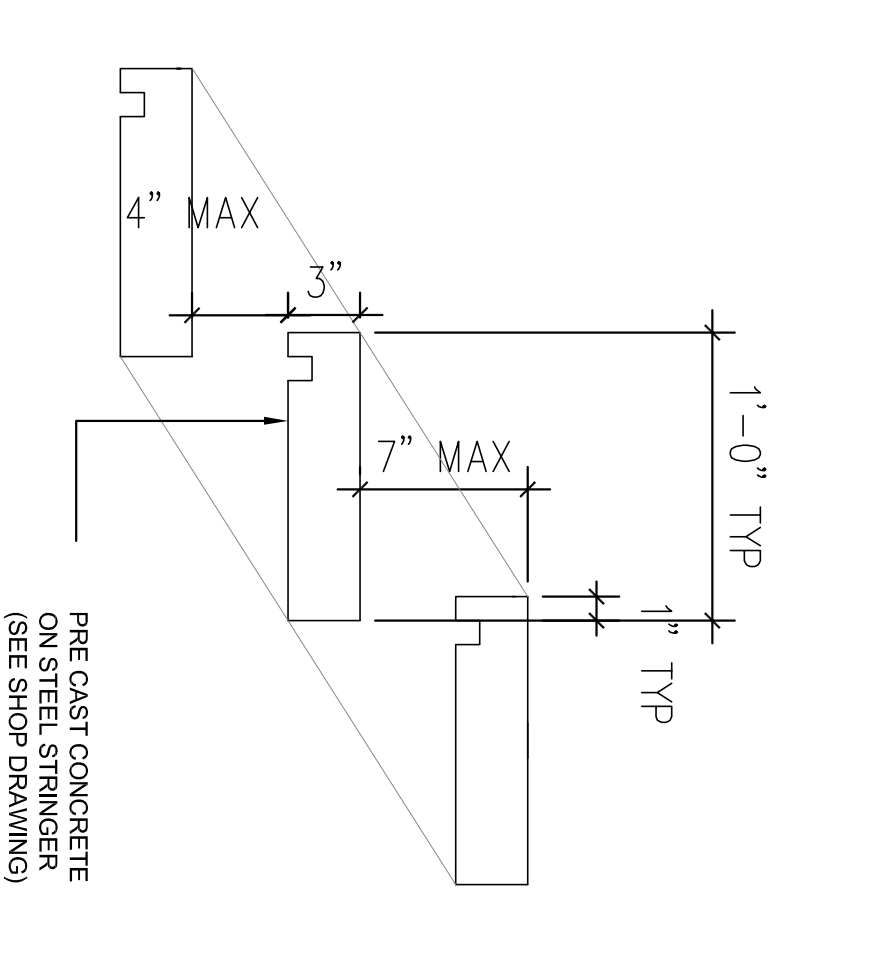
5 | STAIR SECTION B
SCALE: 1/4"=1'-0"



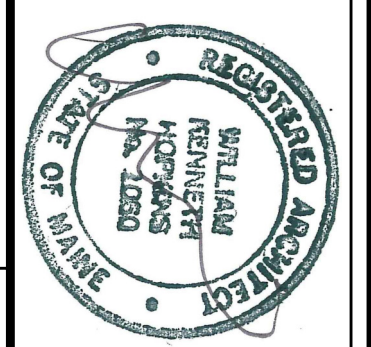
1 | SECOND FLOOR STAIR PLAN
SCALE: 1/4"=1'-0"



2 | THIRD FLOOR STAIR PLAN
SCALE: 1/4"=1'-0"



3 | STAIR DETAIL
SCALE: 1/2"=1'-0"



Prepared For:
MAINE WHARF LLC
72 COMMERCIAL STREET
PORTLAND, ME 04101

Consultant:
ARCHETYPE
48 Union Wharf Portland, Maine 04101
(207) 772-6022 Fax (207) 772-4056

Architect:
ARCHETYPE
48 Union Wharf Portland, Maine 04101
(207) 772-6022 Fax (207) 772-4056

Project:
**BUILDING A - MAINE WHARF
INTERIOR FIT-UP
PORTLAND SCIENCE CENTER**
MAINE WHARF,
PORTLAND ME

Revisions:

Date: 5-13-2015
Scale: AS NOTED
**NEW COMMUNICATING
STAIR DETAILS**

A4.02