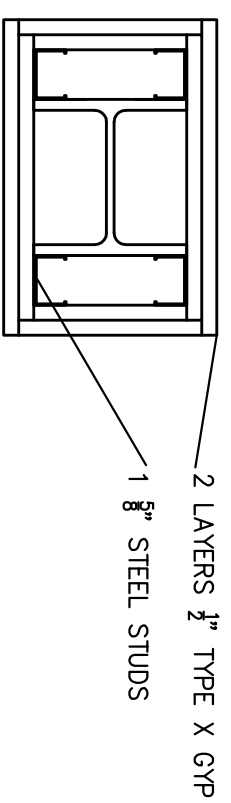


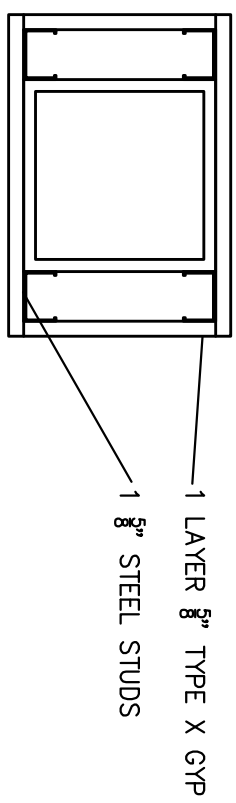
NOTE: CONFIRM STUD SPACING W/ PLUMBING FIXTURES USED

GA NO. CM 1602 - OR EQUAL
1 HR FIRE RATED
UL - NC505



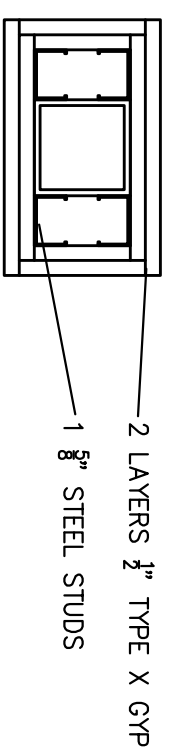
1 | WIDE FLANGE COLUMN WRAP
SCALE: 1/2"=1'-0"

GA NO. CM 1851 - OR EQUAL
1 HR FIRE RATED
UL - NC505



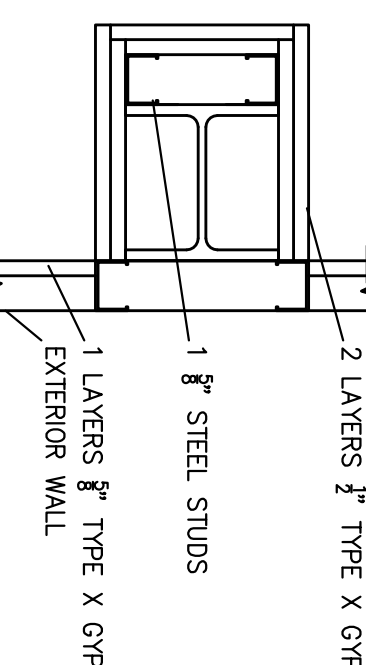
2 | 8" STEEL COLUMN WRAP
SCALE: 1/2"=1'-0"

GA NO. CM 1452 - OR EQUAL
1 HR FIRE RATED
UL - NC505

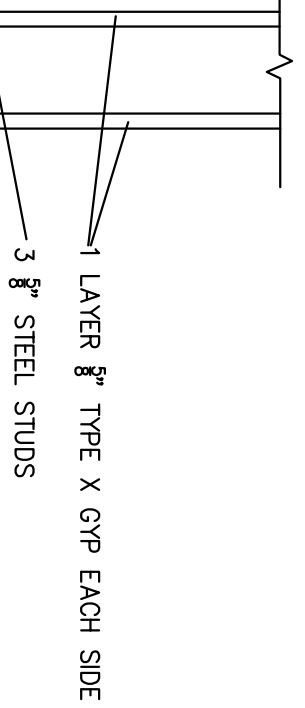


3 | 4" STEEL COLUMN WRAP
SCALE: 1/2"=1'-0"

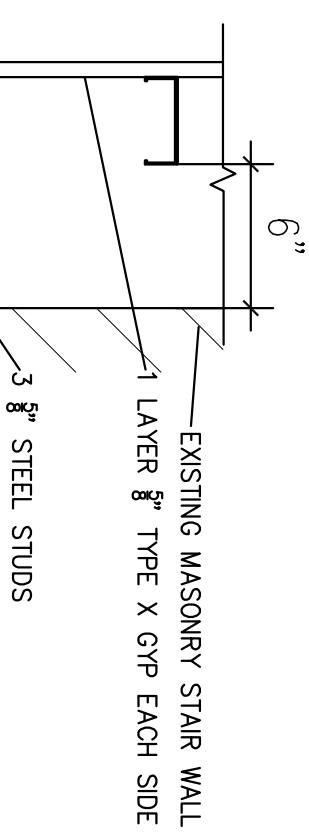
GA NO. CM 1602 - OR EQUAL
1 HR FIRE RATED
UL - NC505



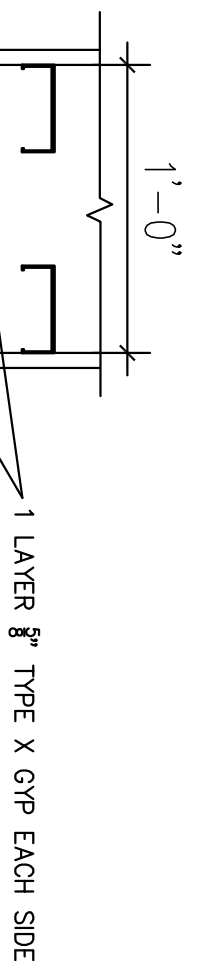
6 | WIDE FLANGE COLUMN WRAP @ EXTERIOR WALL
SCALE: 1/2"=1'-0"



7 | W1 - NON-BEARING PARTITION CONSTRUCTION
SCALE: 1/2"=1'-0"

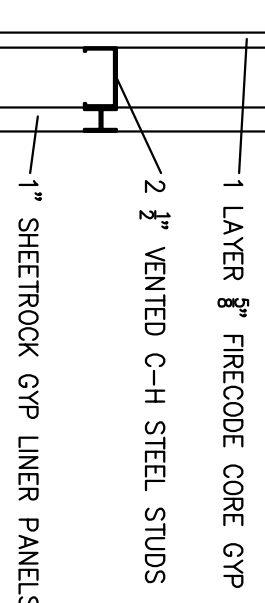


8 | W2 - PLUMBING WALL @ STAIR SHAFT WALL
SCALE: 1/2"=1'-0"

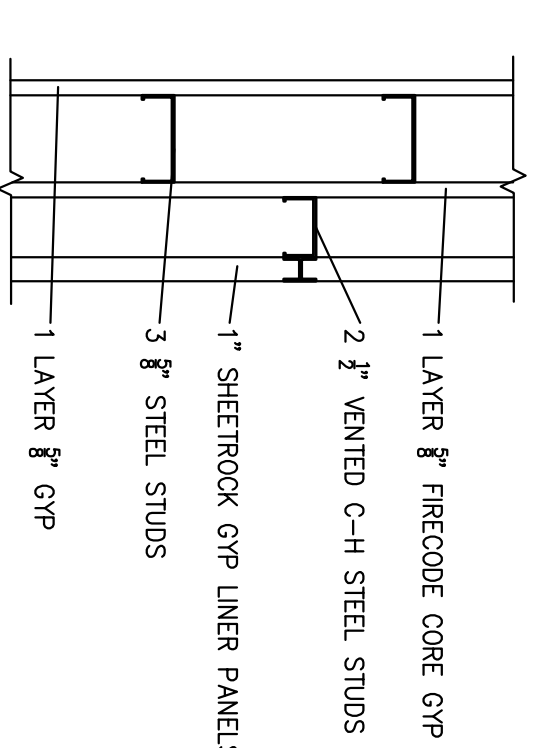


9 | W3 - PLUMBING WALL
SCALE: 1/2"=1'-0"

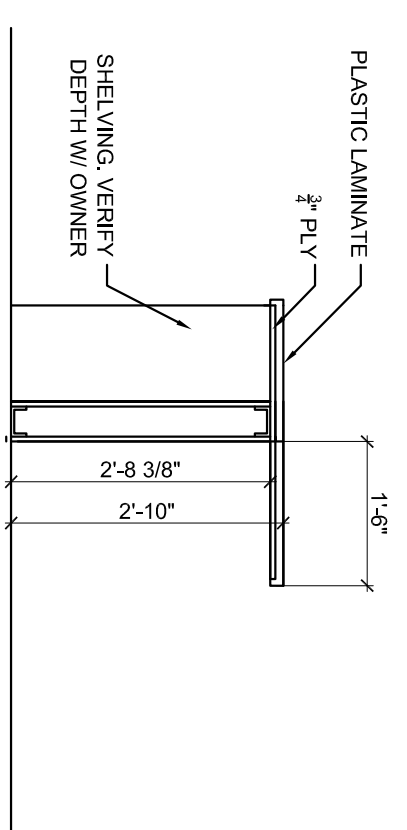
GA NO. WP 7008 - OR EQUAL
1 HR FIRE RATED
UL - R1319



10 | W4 - SHAFT WALL
SCALE: 1/2"=1'-0"



11 | W5 - PLUMBING WALL @ SHAFT WALL
SCALE: 1/2"=1'-0"

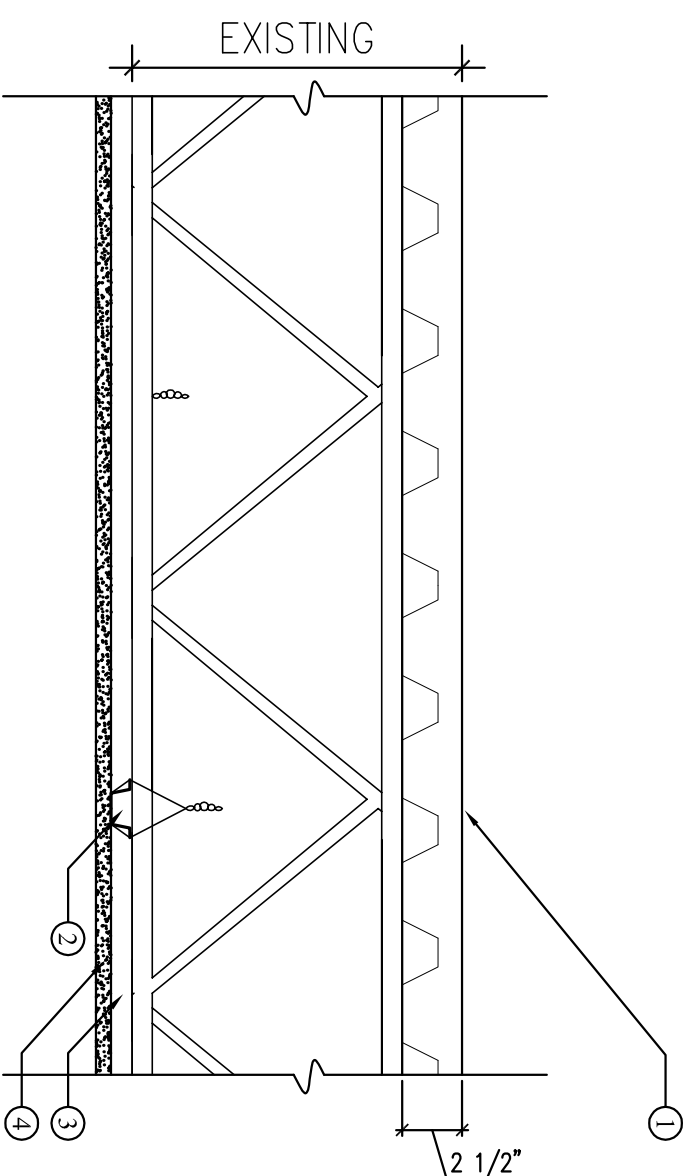


14 | ADA TICKET COUNTER
SCALE: 1/2"=1'-0"

RC-1 | FLOOR CEILING ASSEMBLY
1 HOUR RATED
UL G561

- Slab and metal deck on steel joist
- Tie Wire - No. 18 SWG (0.048 in. diam) galv steel wire.
- Furring Channels - Min 0.021 in. thick (23 gauge) galv steel, 7/8 in. high, 2-5/8 in. base width and 1/4 in. face width.
- 2x8 in. base joist and 2x14 in. face joist.
- Joint System - (Not shown) - Paper tape embedded in joint compound over joints, and covered with two layers of compound.
- Gypsum board screw heads covered with two layers of compound.

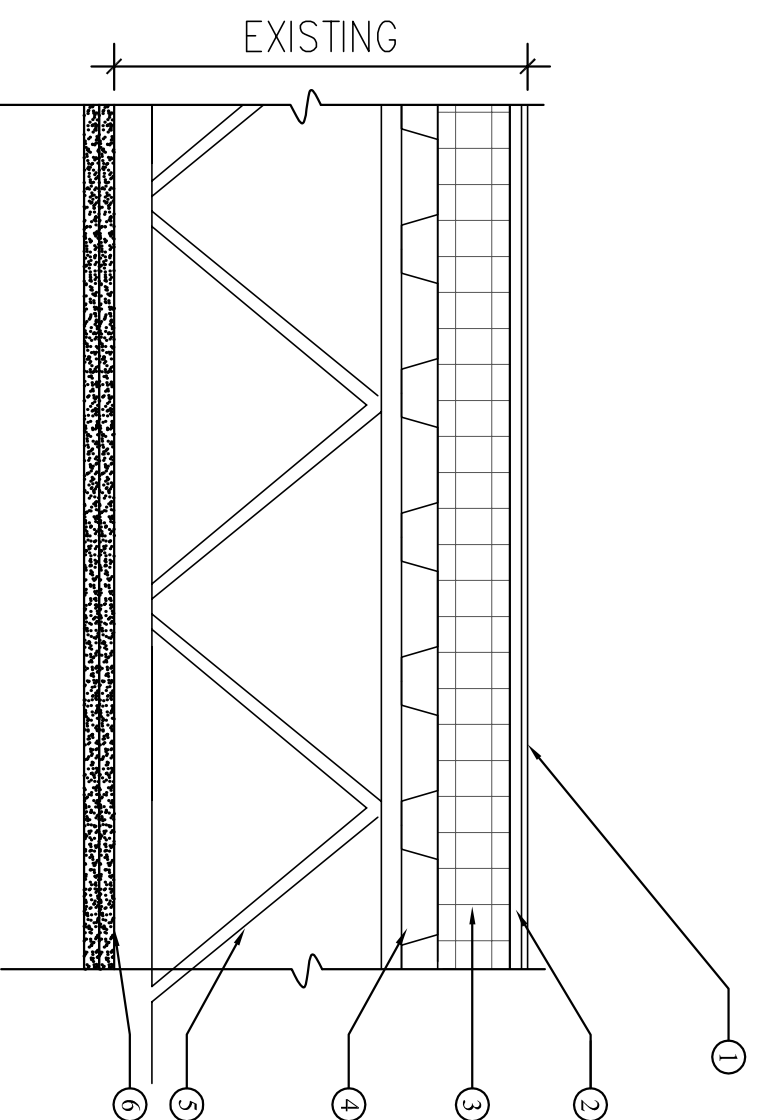
4 | FLOOR CEILING ASSEMBLY
SCALE: 1/2"=1'-0"



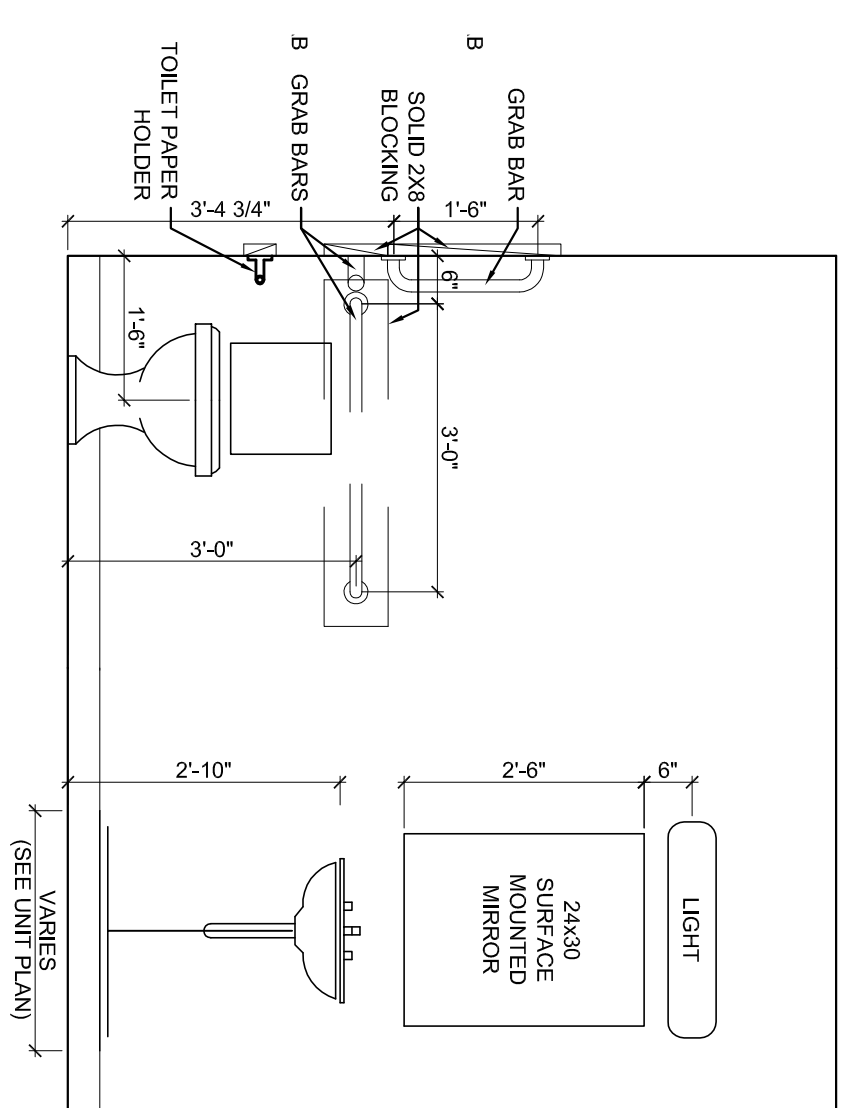
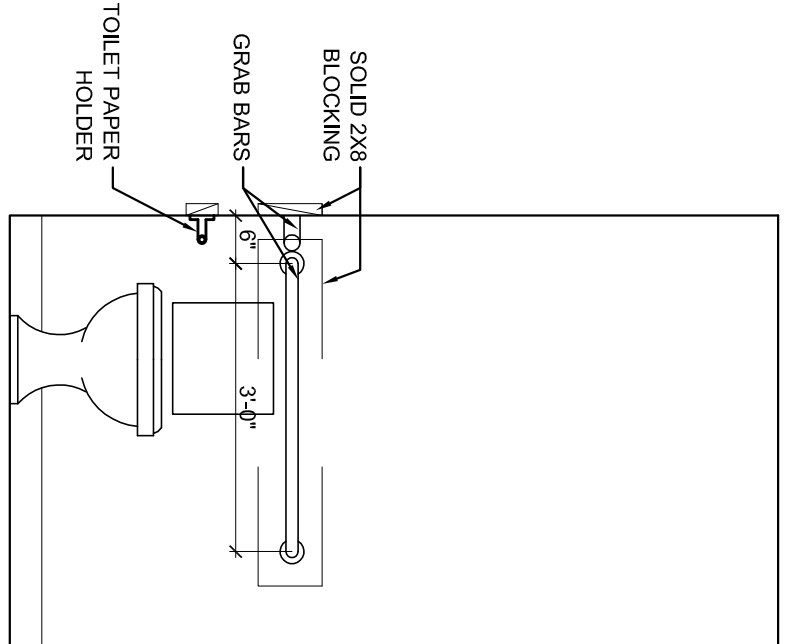
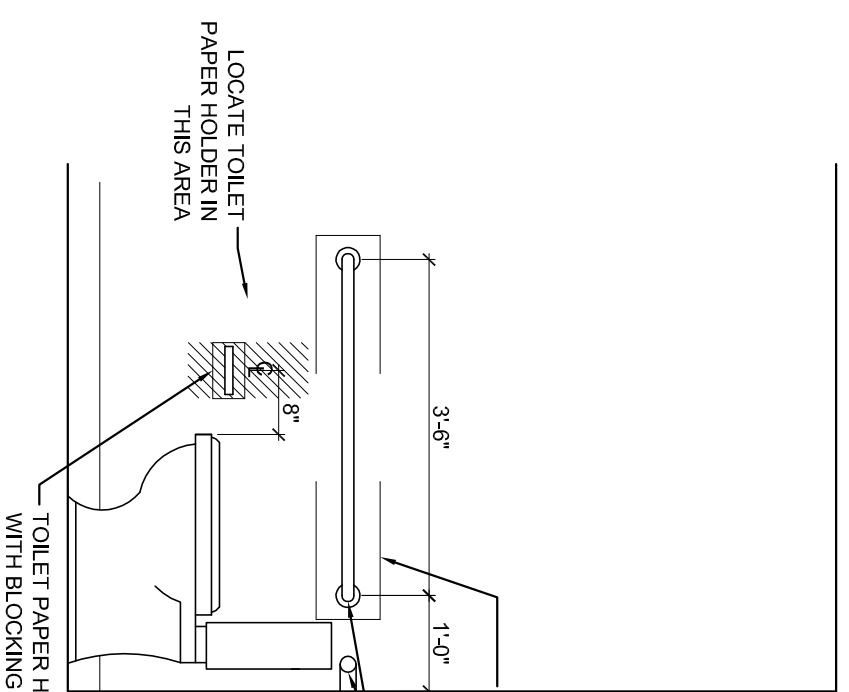
RC-1 | ROOF CEILING ASSEMBLY
1 HOUR RATED

GA FILE NOS. FC5406 AND RC 2601

- EPDM
- DENS-DICK
- 3" POLY-ISO RIGID INSULATION
- RELOCATED EXISTING DECKING OR NEW METAL DECKING (SEE STRUCTURAL)
- RELOCATED AND SLOPED ROOF JOISTS
- 2 LAYERS OF 1/2" TYPE X GYPSUM BOARD

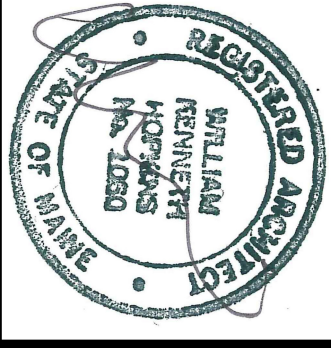


5 | ROOF CEILING ASSEMBLY
SCALE: 1/2"=1'-0"



12 | ADA TOILET DETAILS
SCALE: 1/2"=1'-0"

13 | ADA UNISEX TOILET DETAILS
SCALE: 1/2"=1'-0"



Prepared For:
MAINE WHARF LLC
72 COMMERCIAL STREET
PORTLAND, ME 04101

Consultant:

Architect:
ARCHETYPE
48 Union Wharf Portland, Maine 04101
(207) 772-6022 Fax (207) 772-4056

Project:
BUILDING A - MAINE WHARF
INTERIOR FIT-UP
PORTLAND SCIENCE CENTER
MAINE WHARF,
PORTLAND ME

Revisions:

Scale:
AS NOTED

Date:
5-13-2015

A4.01

DETAILS