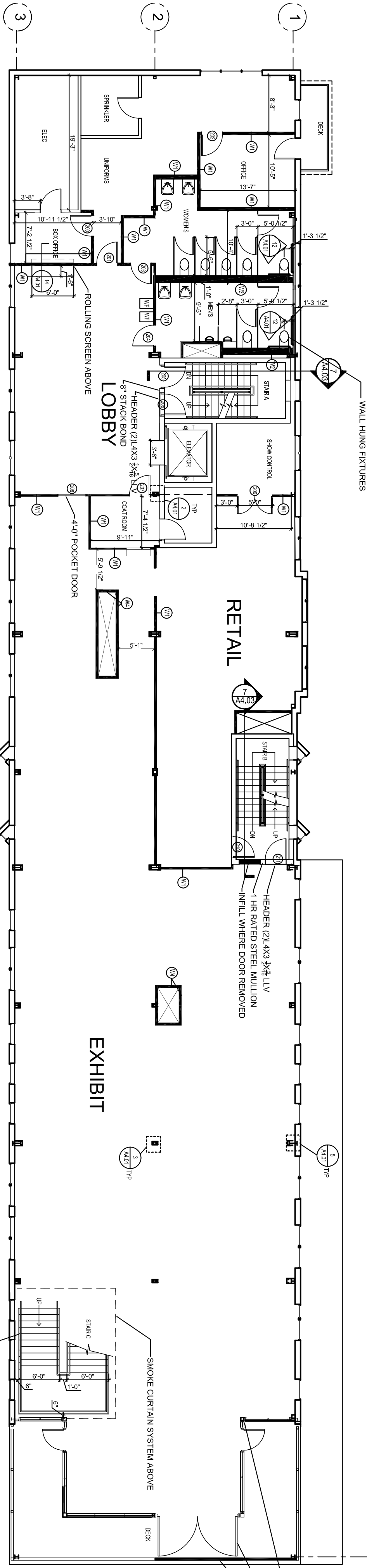


3 THIRD FLOOR PLAN
SCALE: 3/32"=1'-0"

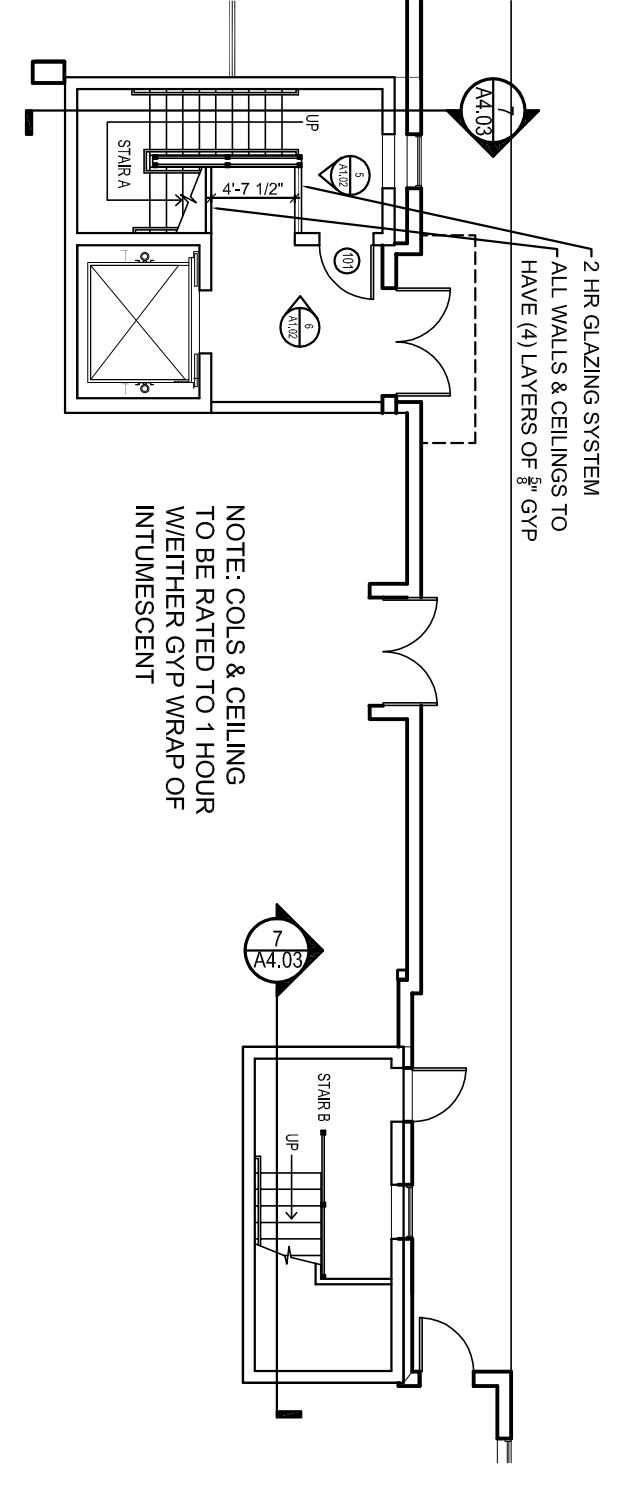
6,677 S.F.

2 SECOND FLOOR PLAN
SCALE: 3/32"=1'-0"

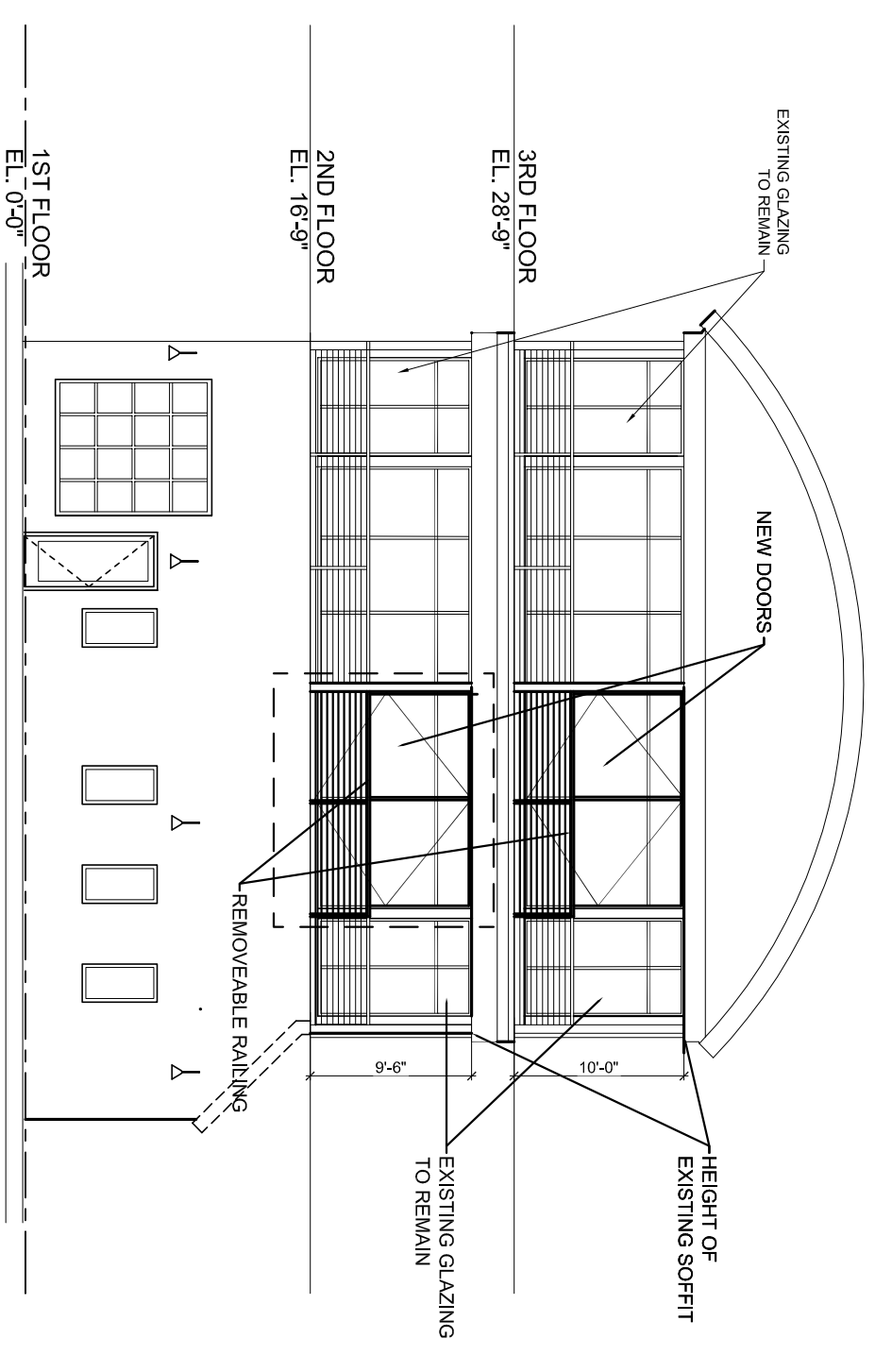


8,140 S.F.

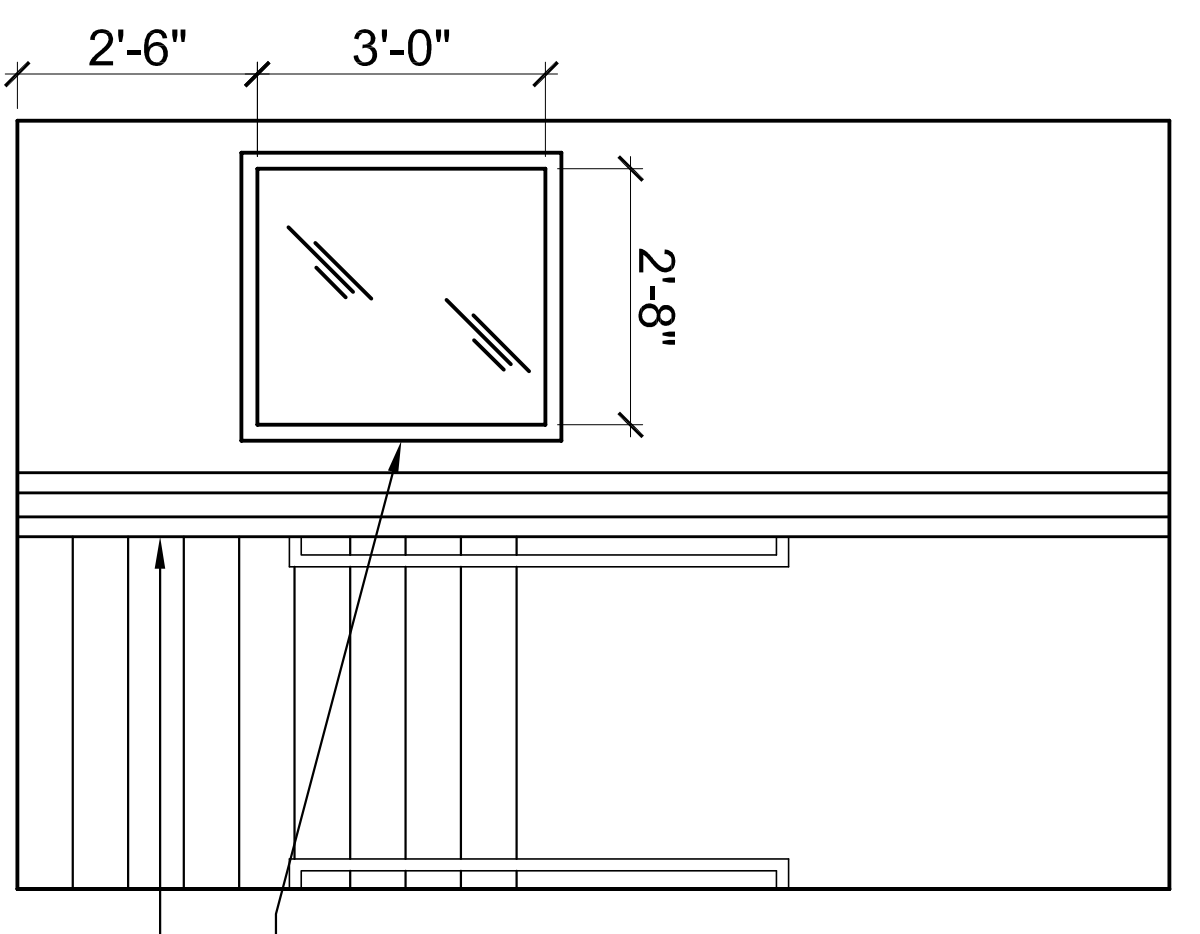
1 LOBBY PLAN
SCALE: 3/32"=1'-0"



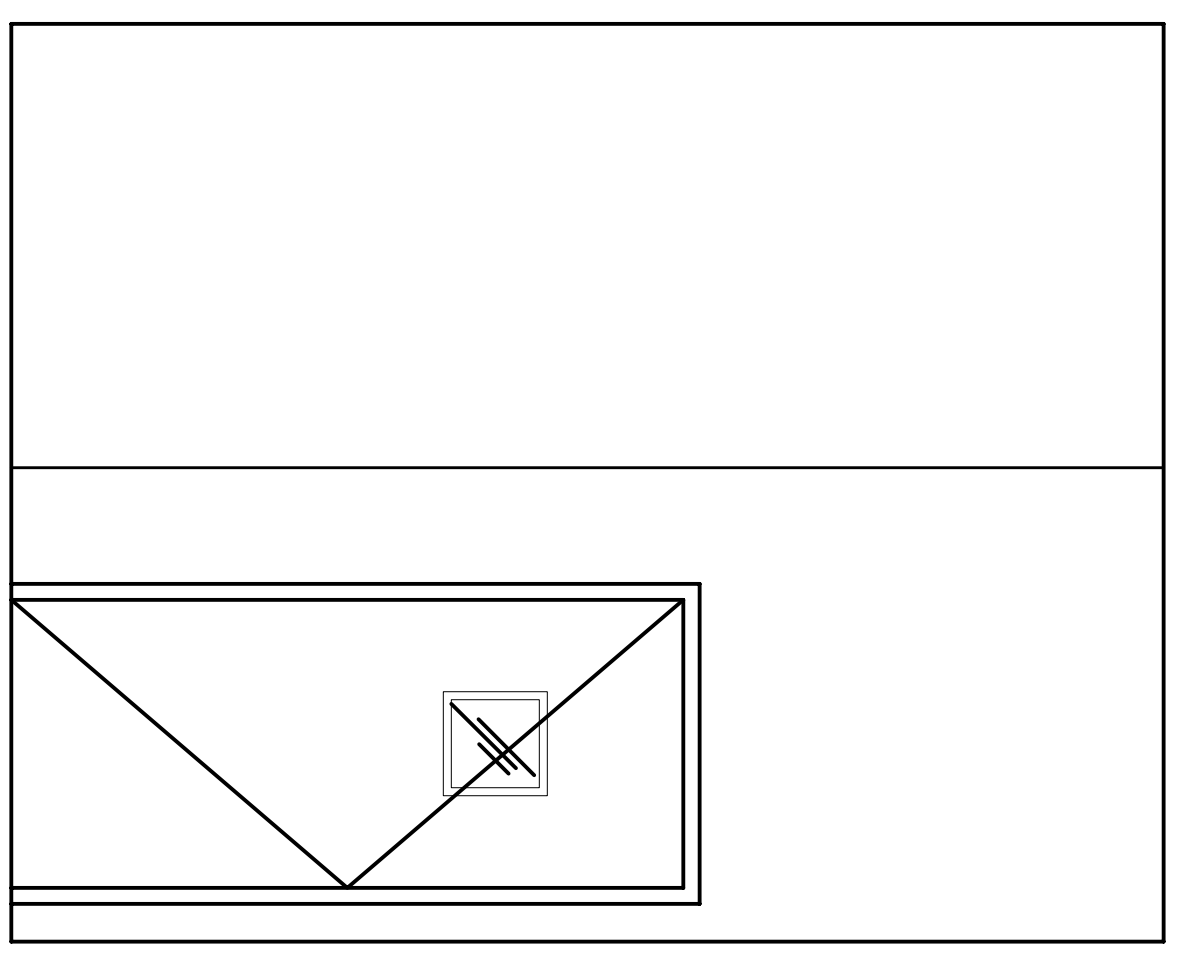
4 BUILDING ELEVATION
SCALE: 3/32"=1'-0"



5 LOBBY INTERIOR ELEVATION
SCALE: 1/2"=1'-0"

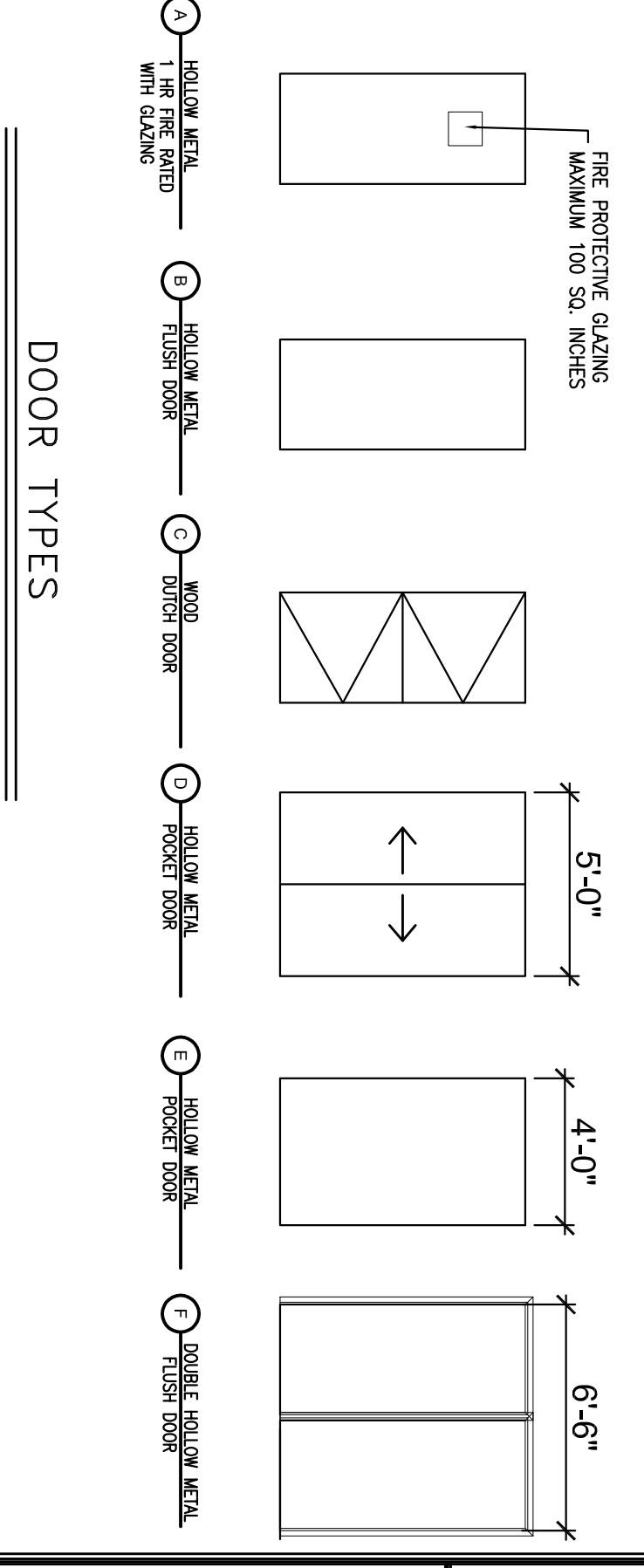


6 LOBBY INTERIOR ELEVATION
SCALE: 1/2"=1'-0"



DOOR SCHEDULE

DOORS					
MARK	TYPE	SIZE	F.R.	HARDWARE SET	MAT.
100	EXISTING	2'-3" x 7'-9"			
101	EXISTING	3'-0" x 7'-0"	1 HOUR	ADD HOLD OPEN PANIC	
200	B	3'-0" x 7'-0"			METAL
201	B	3'-0" x 7'-0"		PASSAGE DEADBOLT	METAL
202	B	3'-0" x 7'-0"		PASSAGE DEADBOLT	METAL
203	B	3'-0" x 7'-0"		PUSH/PULL CLOSER	METAL
204	A	3'-0" x 7'-0"		PUSH/PULL CLOSER	METAL
205	EXISTING	3'-0" x 7'-0"	1 HOUR	HOLD OPEN PANIC	METAL
206	A	3'-0" x 7'-0"	1 HOUR	EXISTING PANIC	METAL
207	C	3'-0" x 7'-0"	1 HOUR	EXISTING PANIC	WOOD
208	E	4'-0" x 7'-0"			
209	D	2'-2" x 7'-9"			
210	A	3'-0" x 7'-0"	1 HOUR	EXISTING PANIC	METAL
211	A	3'-0" x 7'-0"	1 HOUR	HOLD OPEN CLOSER	METAL
300	EXISTING	3'-0" x 7'-0"	1 HOUR	EXISTING PANIC	METAL
301	A	3'-0" x 7'-0"	1 HOUR	EXISTING PANIC	METAL
302	F	2'-3" x 7'-9"		HOLD OPEN CLOSER	
304	A	3'-0" x 7'-0"	1 HOUR	EXISTING PANIC	METAL
305	D	2'-2" x 7'-9"			



DOOR TYPES

A1.02	Date: 5-13-2015	Scale: 3/32" = 1'-0"	Revisions:	Project: BUILDING A - MAINE WHARF INTERIOR FIT-UP PORTLAND SCIENCE CENTER	Architect: ARCHETYPE	Consultant:	Prepared For: MAINE WHARF LLC
	FLOOR PLANS & ELEVATION & DOOR SCHEDULE				48 Union Wharf Portland, Maine 04101 (207) 772-6022 Fax (207) 772-4056		72 COMMERCIAL STREET PORTLAND, ME 04101

