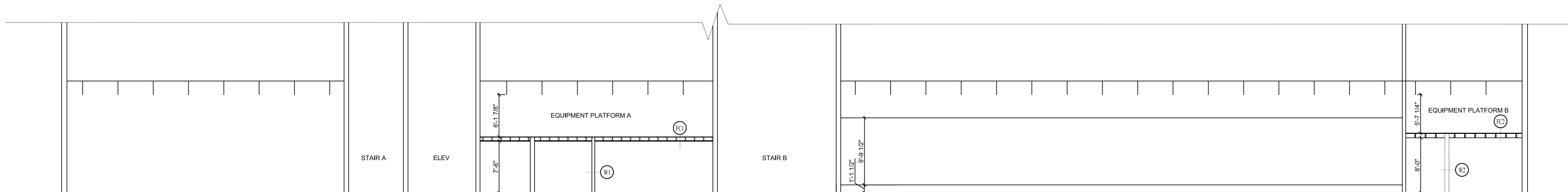
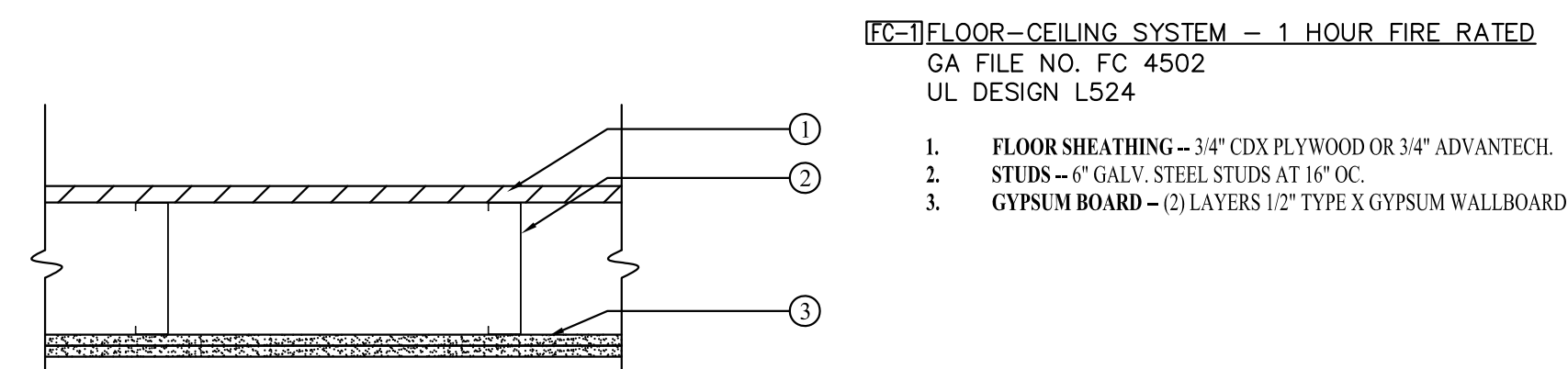


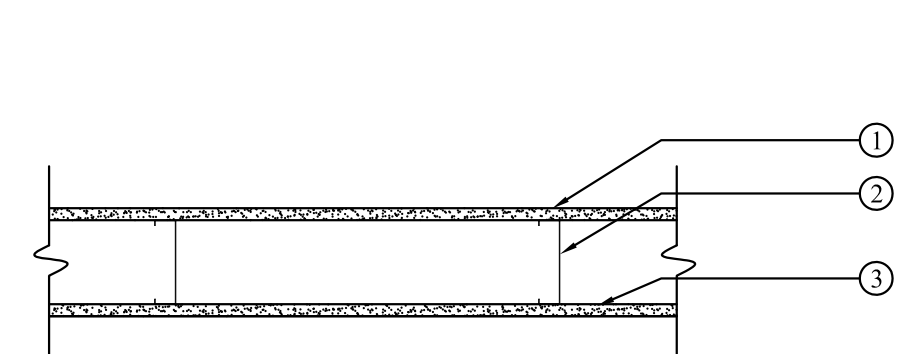
1 EQUIPMENT PLATFORM KEY PLAN
SCALE: 1/8"=1'-0"



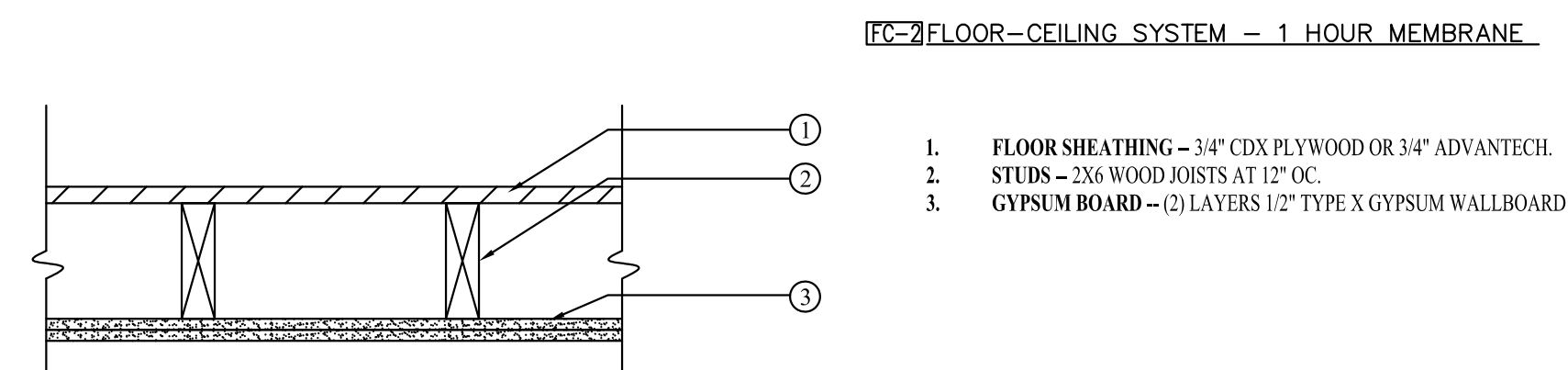
2 SECTION DIAGRAM
SCALE: 1/8"=1'-0"



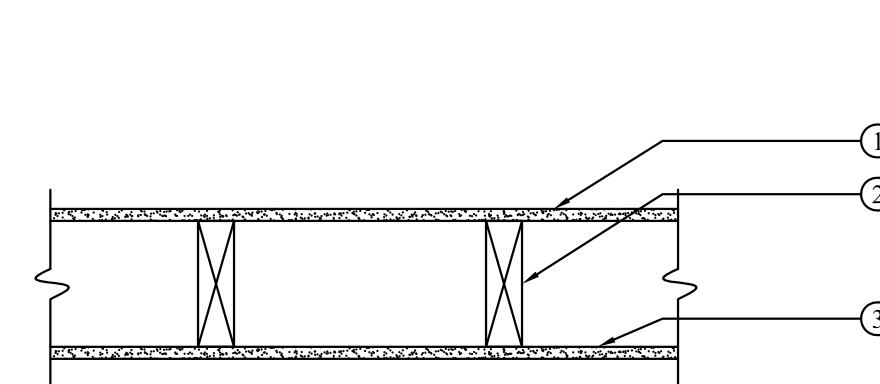
- FC-1 FLOOR-CEILING SYSTEM - 1 HOUR FIRE RATED**
GA FILE NO. FC 4502
UL DESIGN L524
1. FLOOR SHEATHING - 3/4" CDX PLYWOOD OR 3/4" ADVANTECH.
 2. STUDS - 6" GALV. STEEL STUDS AT 16" OC.
 3. GYPSUM BOARD - (2) LAYERS 1/2" TYPE X GYPSUM WALLBOARD



- W-1 WALL SYSTEM - 1 HOUR FIRE RATED**
GA FILE NO. WP 1072
1. GYPSUM BOARD - 5/8" TYPE X GYPSUM WALLBOARD
 2. STUDS - 3-5/8" GALV. STEEL STUDS AT 16" OC.
 3. GYPSUM BOARD - 5/8" TYPE X GYPSUM WALLBOARD

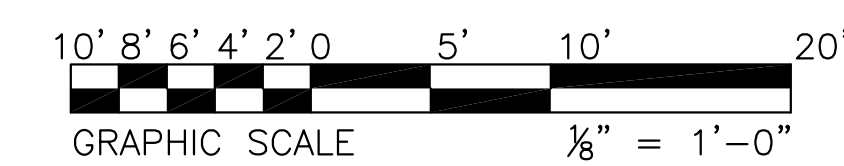


- FC-2 FLOOR-CEILING SYSTEM - 1 HOUR MEMBRANE**
1. FLOOR SHEATHING - 3/4" CDX PLYWOOD OR 3/4" ADVANTECH.
 2. STUDS - 2X6 WOOD JOISTS AT 12" OC.
 3. GYPSUM BOARD - (2) LAYERS 1/2" TYPE X GYPSUM WALLBOARD



- W-2 WALL SYSTEM - 1 HOUR FIRE RATED**
GA FILE NO. WP 3510
1. GYPSUM BOARD - 5/8" TYPE X GYPSUM WALLBOARD
 2. STUDS - 2X4 WOOD STUDS AT 16" OC.
 3. GYPSUM BOARD - 5/8" TYPE X GYPSUM WALLBOARD

3 EQUIPMENT PLATFORM WALL AND CEILING ASSEMBLY
SCALE: 1-1/2"=1'-0"



Prepared For:	NAUSETT ASSOCIATES	72 COMMERCIAL STREET PORTLAND, ME 04101
Consulting Engineer:		
Architect:	ARCHETYPE a r c h i t e c t s	48 Union Wharf Portland, Maine 04101 (207) 772-6022 Fax (207) 772-4056
Project:	MAINE WHARF RESTAURANT	68 COMMERCIAL STREET PORTLAND, MAINE
Revisions:		
Date:	JUNE 15, 2015	Scale: As Noted
EQUIPMENT PLATFORM SKETCH		
SK.04		