

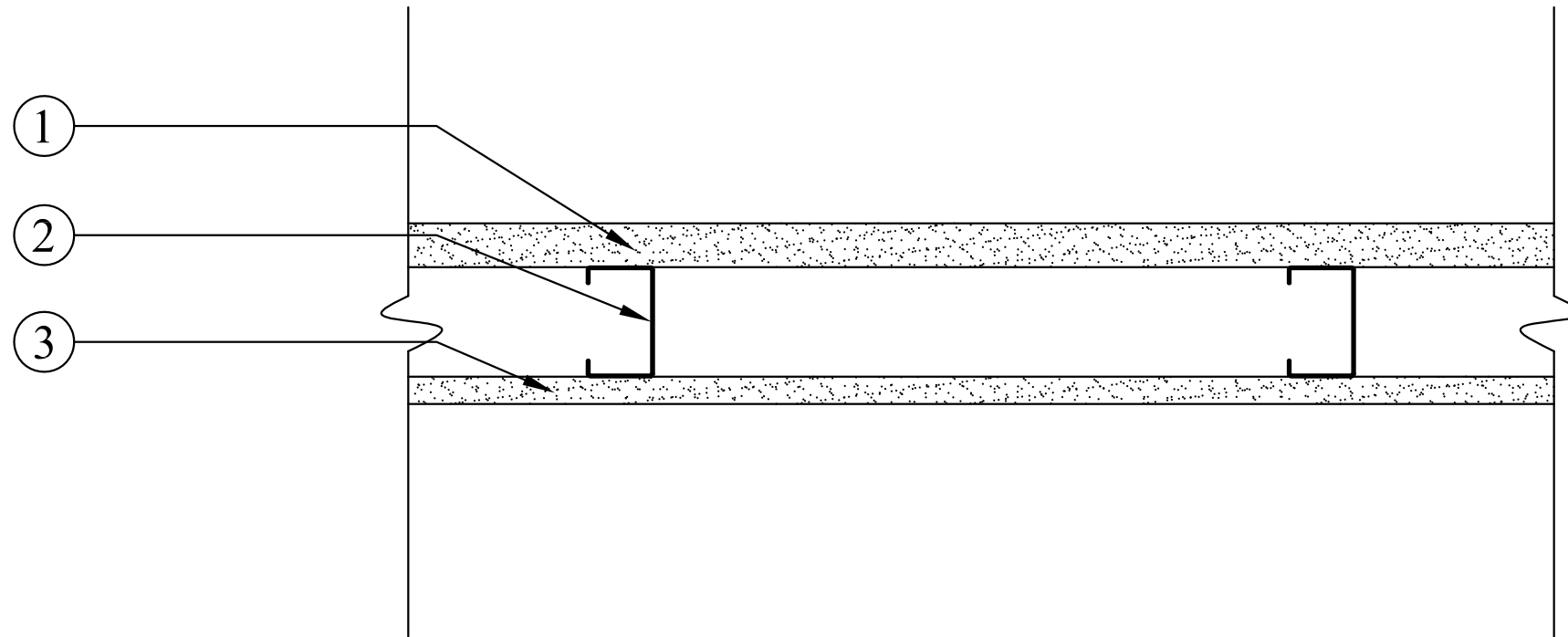
SHAFT WALL

GA FILE NO. WP 7008

35 - 39 STC SOUND RATING

UL DESIGN U469

1. **TYPE X GYPSUM** - ONE LAYER 1" X 24" TYPE X GYPSUM PANELS
2. **STUDS** - 2 1/2 " C-H STEEL STUDS
3. **TYPE X GYPSUM** - ONE LAYER 5/8 " TYPE X GYPSUM WALLBOARD



ARCHETYPE
architects
48 Union Wharf Portland, Maine 04101
(207) 772-6022 Fax (207) 772-4056

Date: 23 May 2014 Scale: As Noted
SHAFT WALL

Project: **MAINE WHARF**
MAINE WHARF
PORTLAND, MAINE

SK01