

| | |
|-----|---|
| 1. | Floor/Ceiling or Wall Assembly |
| 2. | Duct |
| 3A. | One Layer 3M Fire Barrier Duct Wrap 15A - Terminated on Each Side of Floor or Wall Penetration. |
| 3B. | Banding or Pinning |
| 3C. | Packing Material |
| 3D. | 3M Fire Barrier 1000 N/S, 1000 S/L or 2000+ Silicone Sealant |
| | For Wall Assembly Apply Sealant to Both Sides of Wall |

System integrity is limited by quality of installation.

FS 579 W
FS 578 F
FS 563 W
FS 561 F

Omega Point Laboratories, Inc.
Through Penetration Systems

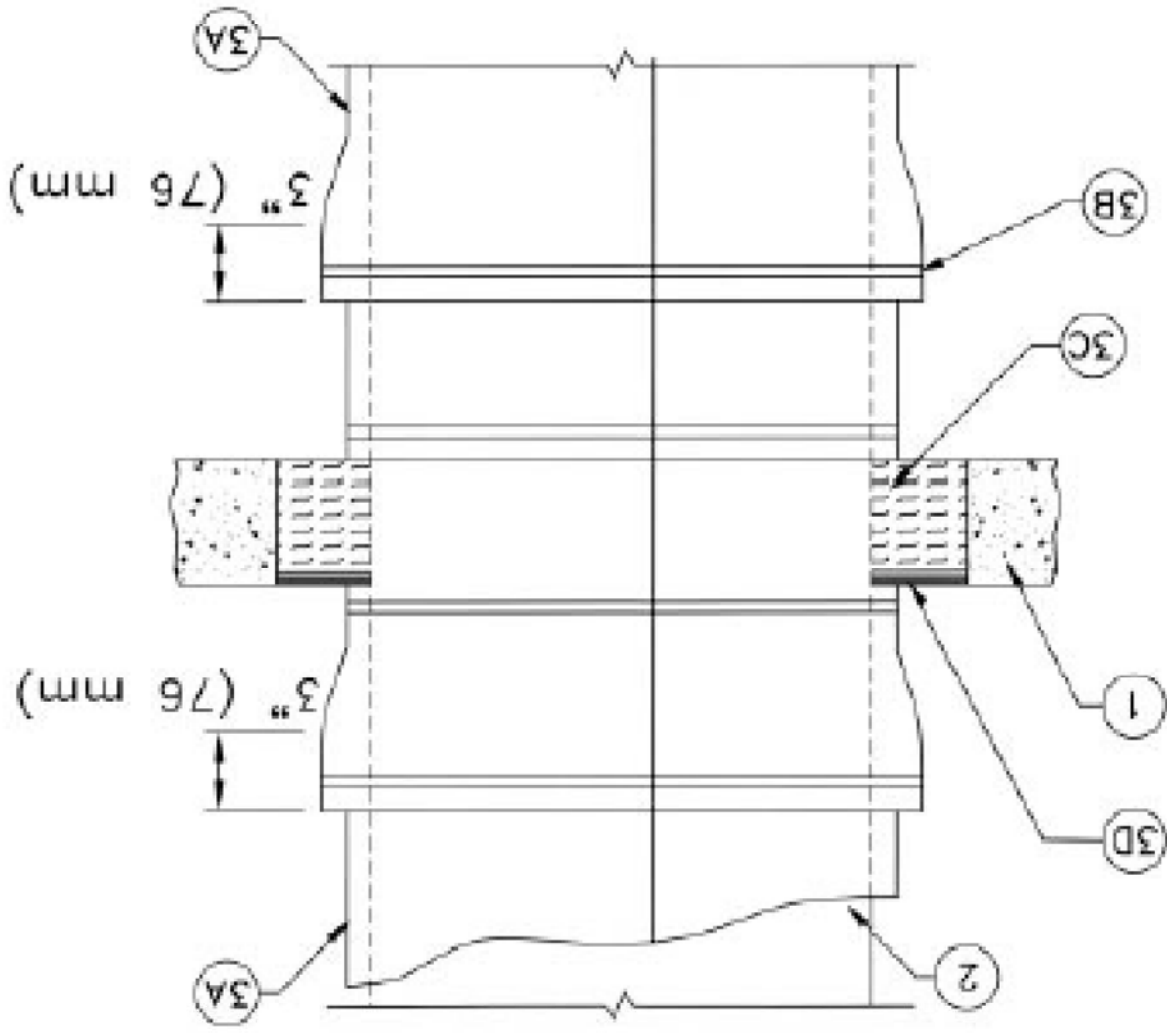


Figure 4C
3M Fire Barrier Duct Wrap 15A
Commercial Kitchen Grease Duct Systems
1 or 2 Hour Through Penetration Systems
4-1/2 Inch (11.4 cm) Concrete Floor or Wall