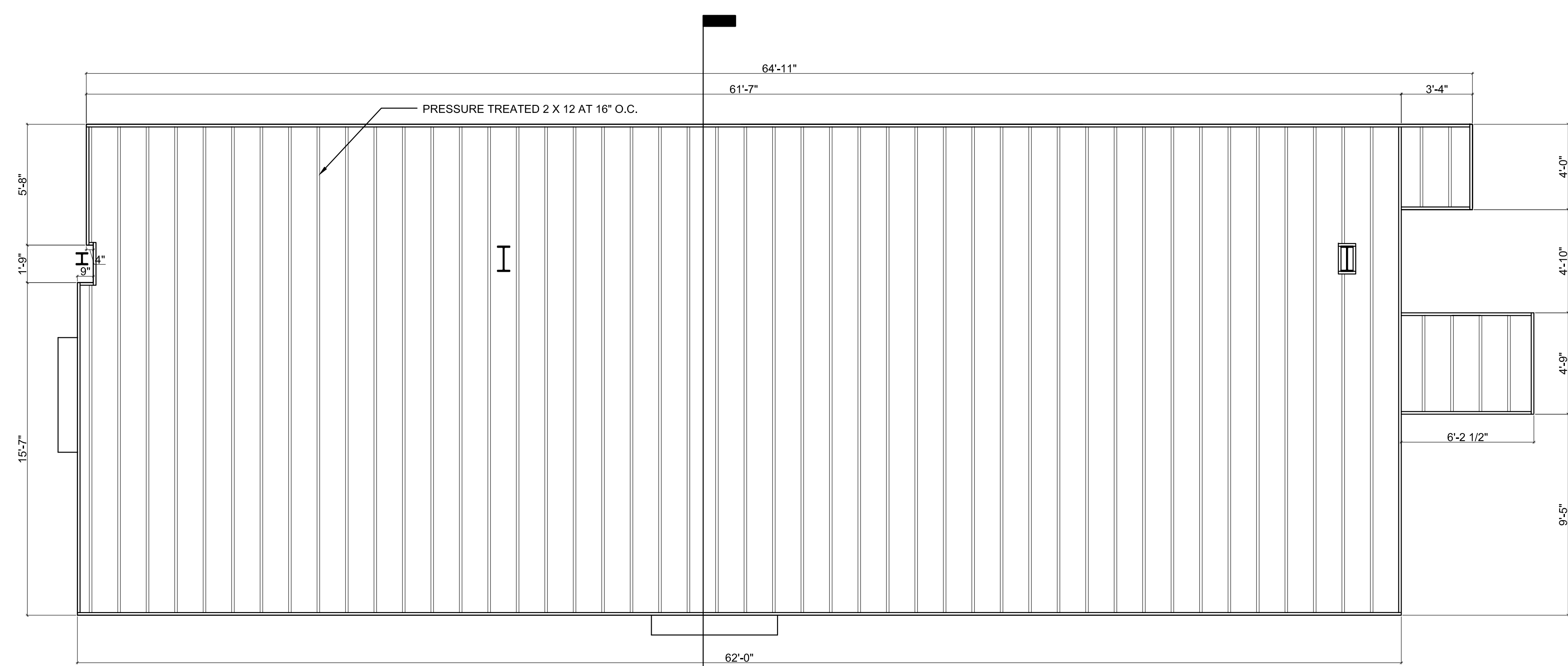
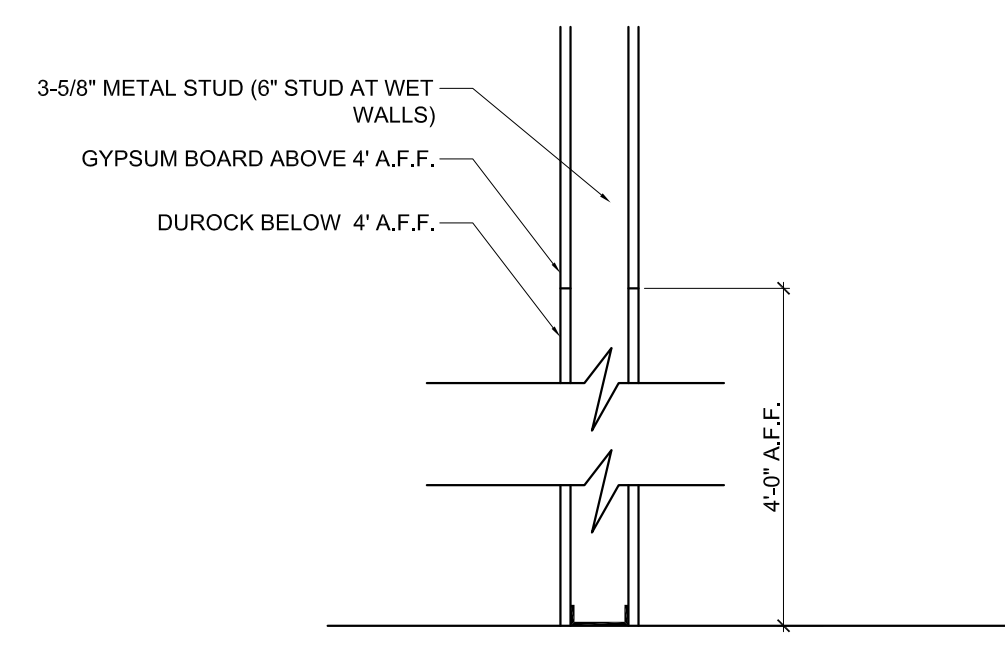


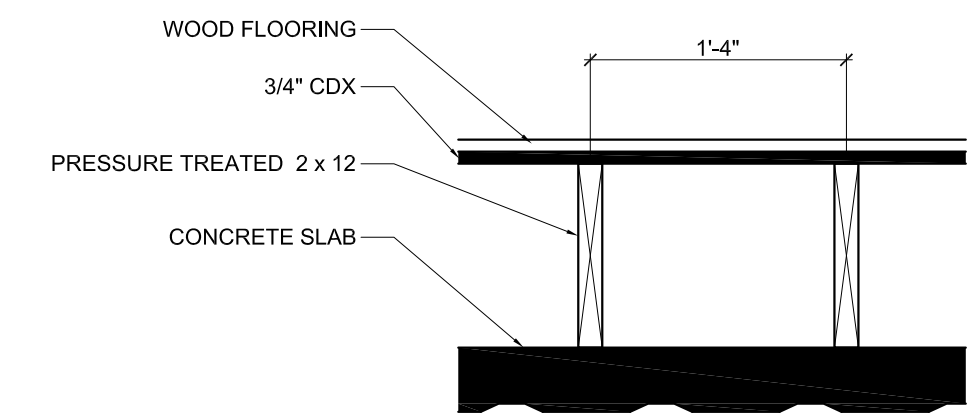
1 FIRST FLOOR FIT UP PLAN
1/8"=1'-0"



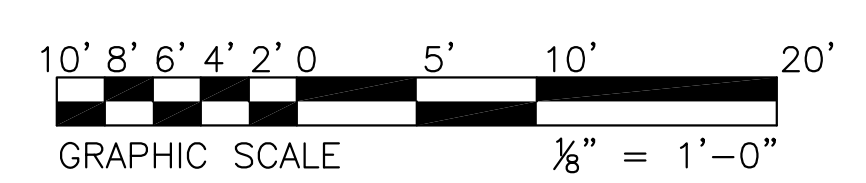
2 PLATFORM FRAMING PLAN
1/4"=1'-0"



4 WALL DETAIL
1"=1'-0"



3 PLATFORM DETAIL
1"=1'-0"



Prepared For:
NAUSETT ASSOCIATES
72 COMMERCIAL STREET
PORTLAND, ME 04101

Consulting Engineer:
ARCHETYPE architects
48 Union Wharf Portland, Maine 04101
(207) 772-6022 Fax (207) 772-4056

Project:
MAINE WHARF RESTAURANT
68 COMMERCIAL STREET
PORTLAND, MAINE

Revisions:
29 JULY 2014 - RESUB. TO CITY

Date: April 9, 2014
Scale: As Noted
FIRST FLOOR PLAN

A1.00