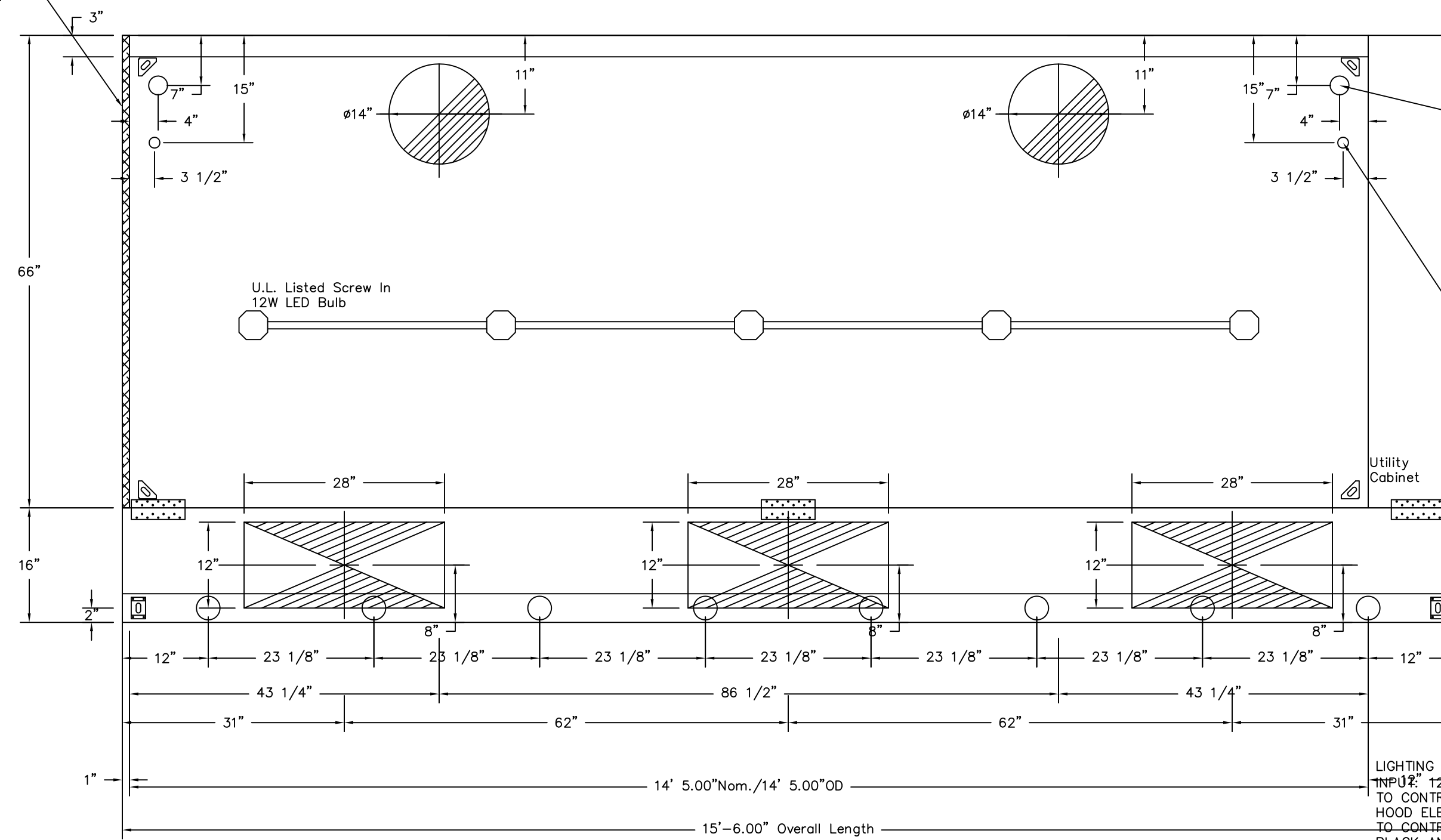


1" LAYER OF INSULATION FACTORY INSTALLED IN 1.00" END STANDOFF MEETS 0" REQUIREMENTS CLEARANCE TO COMBUSTIBLE SURFACES.



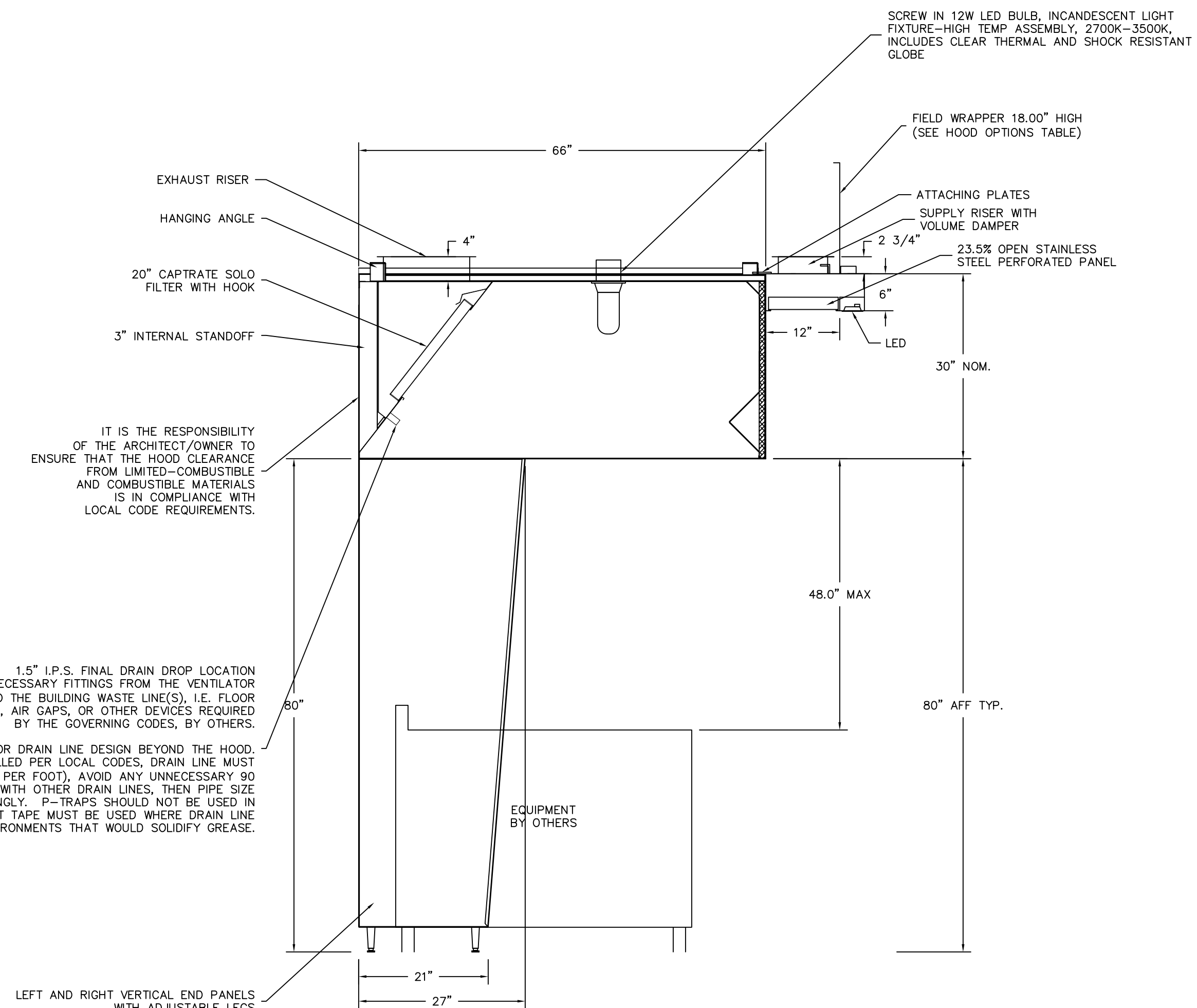
1.5" I.P.S. DRAIN DROP ENGINEER IS RESPONSIBLE FOR DRAIN LINE DESIGN BEYOND THE HOOD. DRAIN LINE MUST BE INSTALLED PER LOCAL CODES, DRAIN LINE MUST BE SLOPED (MINIMUM 1/4 INCH PER FOOT), AVOID ANY UNNECESSARY 90 DEGREE TURNS, IF COMBINED WITH OTHER DRAIN LINES, THEN PIPE SIZE SHOULD BE INCREASED ACCORDINGLY. P-TRAPS SHOULD NOT BE USED IN THE GREASE DRAIN LINE AND HEAT TAPE MUST BE USED WHERE DRAIN LINE IS RUN IN ENVIRONMENTS THAT WOULD SOLIDIFY GREASE.

SIZE BUILDING GREASE INTERCEPTOR ACCORDINGLY. BOTH ENDS

3/4" I.P.S. (N.P.T.) HOT WATER CONNECTION STUBS ARE PREFIT BY FACTORY. BOTH ENDS

LIGHTING FOR ACPSP Job # 1934403 - Hood #5
 INPUT: 120V AC, 1 Phase, 50/60Hz, 3.5 Watts per light.
 TO CONTROL LIGHTS WITH HOOD LIGHT SWITCH, WIRE PER HOOD ELECTRICAL CONTROL PANEL SCHEMATIC TO CONTROL LIGHTS WITH BUILDING LIGHT SWITCH. WIRE BLACK AND WHITE WIRE TO A 120VAC SERVICE.
 END TO END ACPSP'S REQUIRE 120VAC FIELD WIRING FROM J-BOX TO J-BOX. REPLACE LIGHTS WITH LED LIGHTS ONLY.

PLAN VIEW - Hood #5 (RANGE / COMBI / CONV)
 14' 5.00" LONG 6630ND-2-PSP-F
 NOTE: Additional hanging angles provided for hoods 12" and longer.



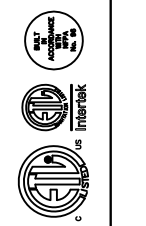
IT IS THE RESPONSIBILITY OF THE ARCHITECT/OWNER TO ENSURE THAT THE HOOD CLEARANCE FROM LIMITED-COMBUSTIBLE AND COMBUSTIBLE MATERIALS IS IN COMPLIANCE WITH LOCAL CODE REQUIREMENTS.

1.5" I.P.S. FINAL DRAIN DROP LOCATION ALL NECESSARY FITTINGS FROM THE VENTILATOR TO THE BUILDING WASTE LINES, I.E. FLOOR SINKS, AIR CAPS, OR OTHER DEVICES REQUIRED BY THE GOVERNING CODES, BY OTHERS.
 ENGINEER IS RESPONSIBLE FOR DRAIN LINE DESIGN BEYOND THE HOOD. DRAIN LINE MUST BE INSTALLED PER LOCAL CODES, DRAIN LINE MUST BE SLOPED (MINIMUM 1/4 INCH PER FOOT), AVOID ANY UNNECESSARY 90 DEGREE TURNS, IF COMBINED WITH OTHER DRAIN LINES, THEN PIPE SIZE SHOULD BE INCREASED ACCORDINGLY. P-TRAPS SHOULD NOT BE USED IN THE GREASE DRAIN LINE AND HEAT TAPE MUST BE USED WHERE DRAIN LINE IS RUN IN ENVIRONMENTS THAT WOULD SOLIDIFY GREASE.

SECTION VIEW - MODEL 6630ND-2-PSP-F
 HOODS - #5 (RANGE / COMBI / CONV), #6 (RANGE / COMBI / PIZZA)

EXHAUST HOOD ITEM # 45B

REVISIONS	
DESCRIPTION	DATE



MAINE OFFICE
 PO Box 86, 179 South Rd., Topsham, ME, 04480 PHONE: (207) 796-2590 FAX: (919) 227-5946 EMAIL: reg21@captivestire.com www.captivestire.com

Maine Wharf Restaurant
 PORTLAND, ME

DATE: 12/18/2013

DWG.#:
 1934403

DRAWN BY: BFC-21

SCALE:
 3/4" = 1'-0"

MASTER DRAWING

SHEET NO.
 5