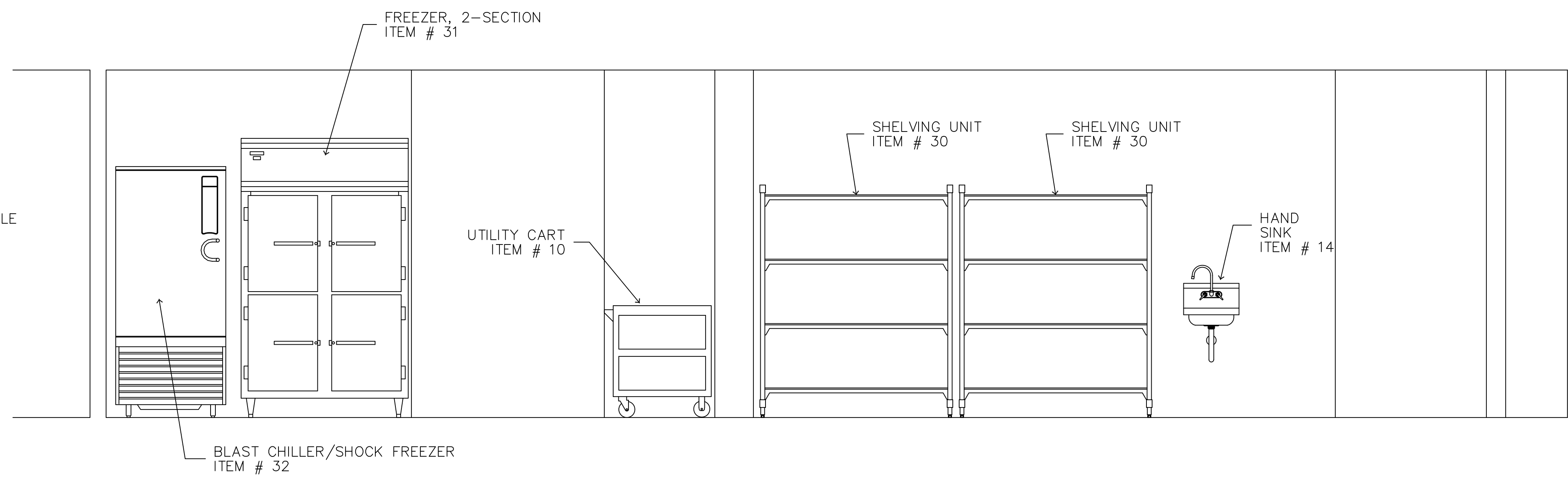
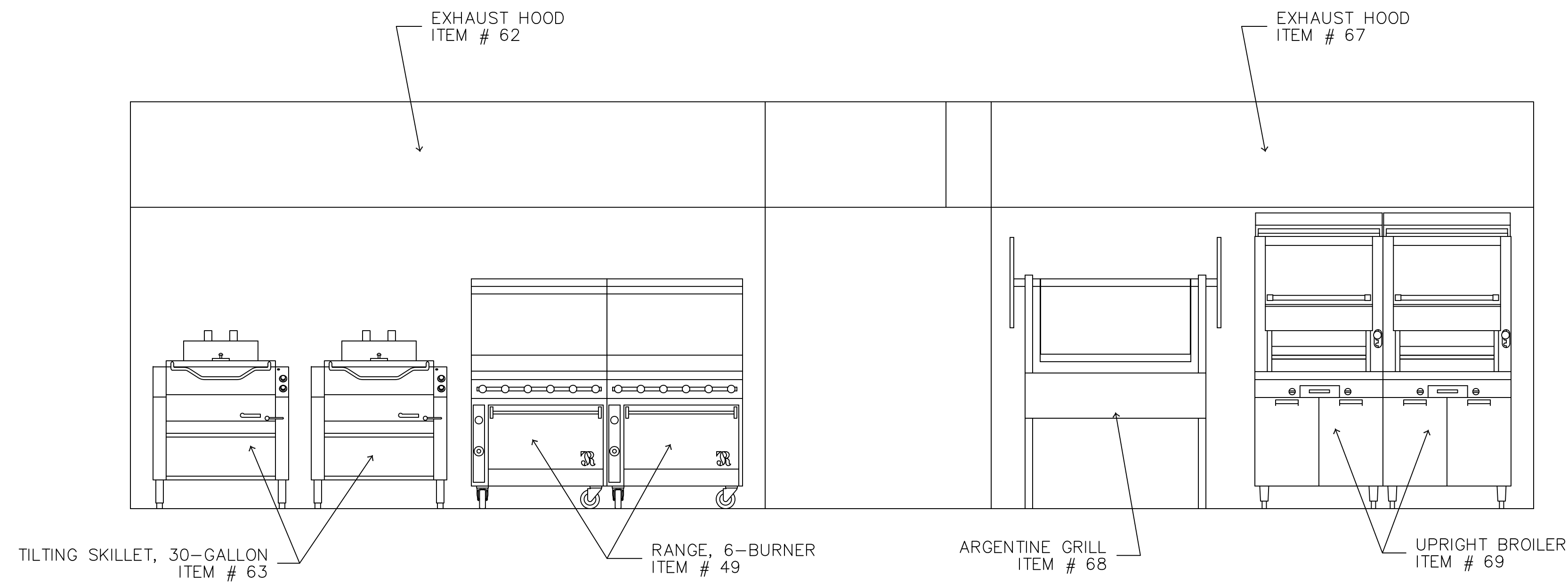


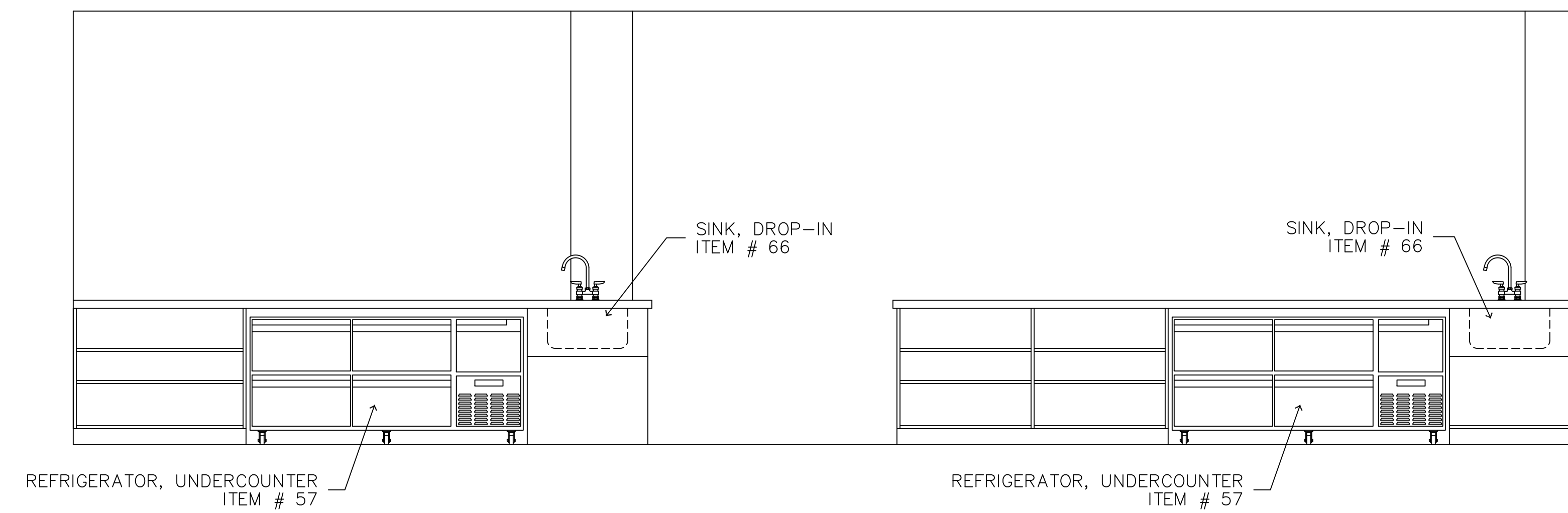
Kitchen, Fryer Battery Elevation  
SCALE - 1/2" = 1' - 0"



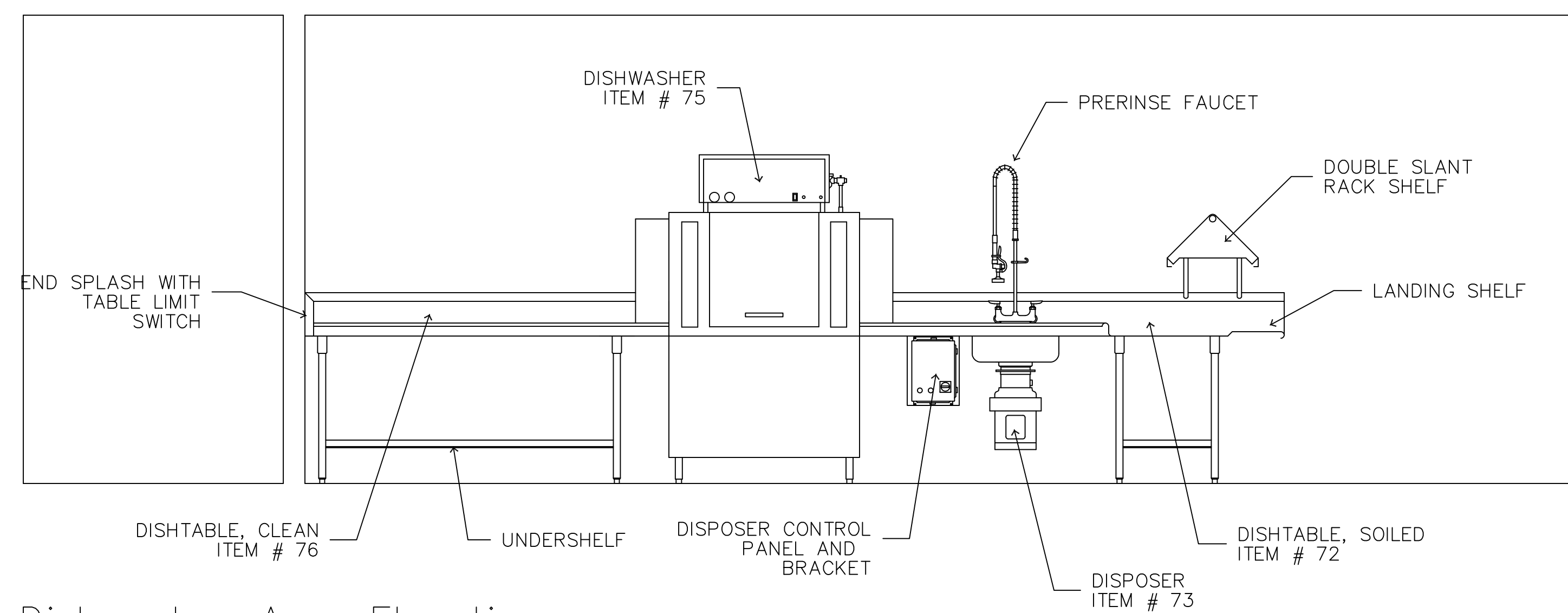
Kitchen, North Wall Elevation  
SCALE - 1/2" = 1' - 0"



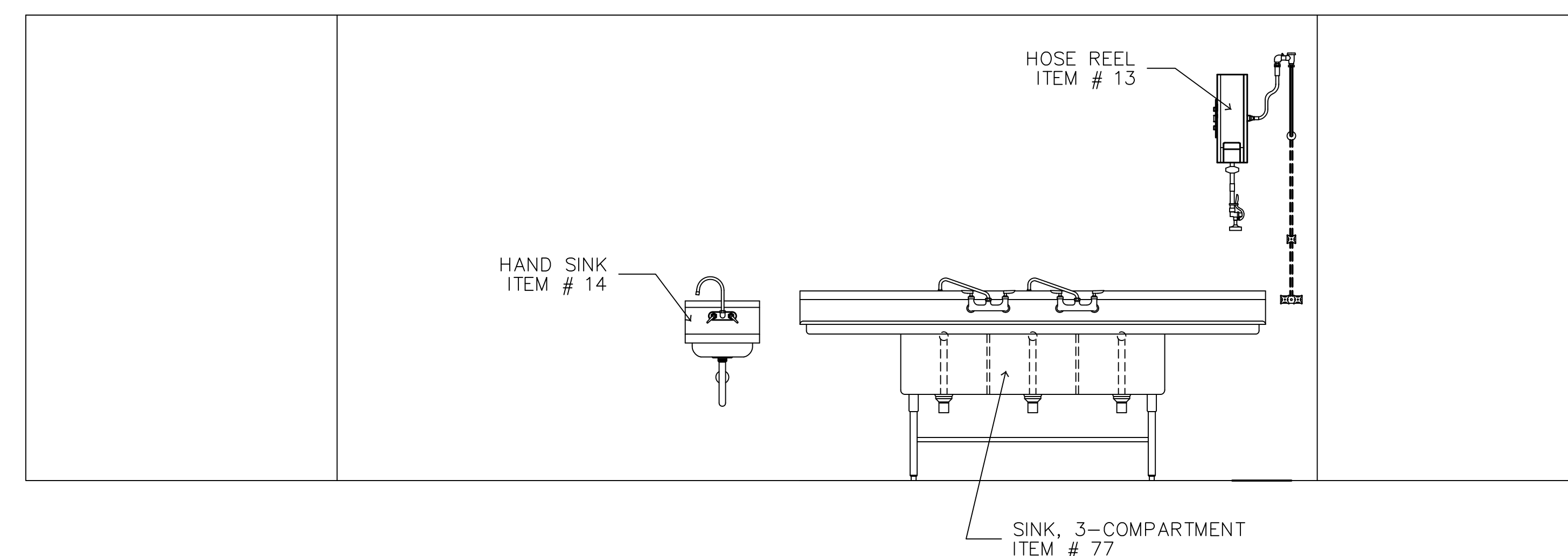
Open Kitchen, Cooking Line Elevation  
SCALE - 1/2" = 1' - 0"



Open Kitchen, Prep Area Elevation  
SCALE - 1/2" = 1' - 0"



Dishwasher Area Elevation  
SCALE - 1/2" = 1' - 0"



Pot Washing Area Elevation  
SCALE - 1/2" = 1' - 0"

Prepared For:  
**NAUSETT ASSOCIATES**  
72 COMMERCIAL STREET  
PORTLAND, ME 04101

Consulting Engineer:  
**TJM CONSULTING INC.**  
Foodservice Consulting and Design  
273 Main Street, Suite 5 - Yarmouth, Maine 04096

Architect:  
**ARCHETYPE**  
ARCHITECTS  
48 Union Wharf Portland, Maine 04101  
(207) 772-6022 Fax (207) 772-4056

Project:  
**Maine Wharf Restaurant**  
68 Commercial Street  
Portland, Maine

Revisions:

Scale: 1/2"=1'-0"

Date: 09 April 2014

Foodservice Equipment  
Details and Elevations

FS-8