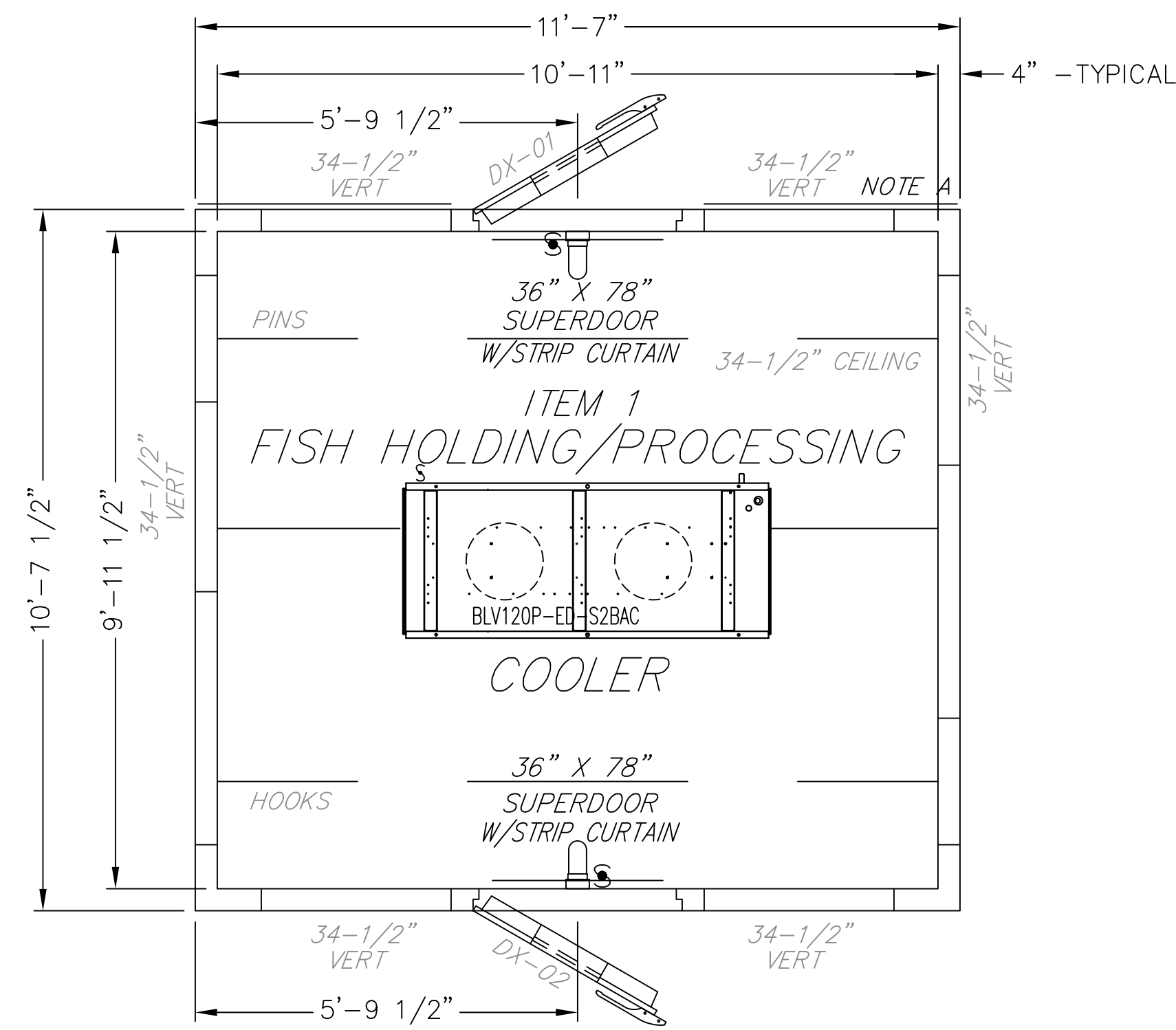




PLAN VIEW A
SCALE: 1/2" = 1' - 0"



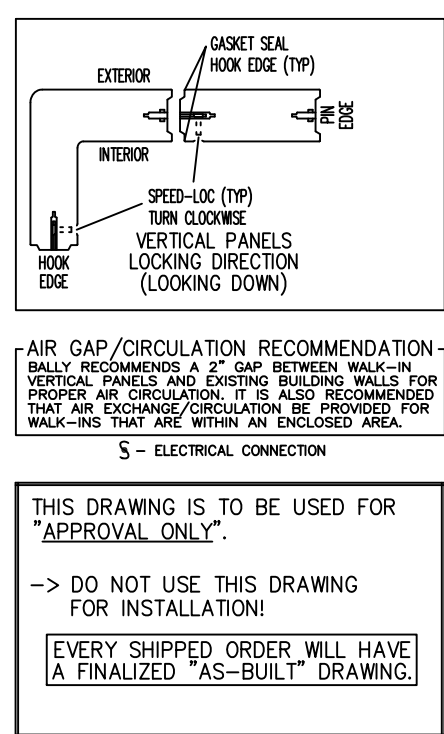
SPECIFICATIONS
11'-7" X 10'-7 1/2" X 9'-2"
INSTALLATION
- INDOOR
- LOADING HEIGHT - AT LEAST 24" OF OPEN SPACE MUST BE MAINTAINED BETWEEN TOP OF PRODUCT AND CEILING PANELS
INSULATION
- FOAMED IN-PLACE POURED URETHANE
EXTERIOR FINISH
- EMBOSSED WHITE GALVANIZED
INTERIOR FINISH
- EMBOSSED WHITE GALVANIZED
DOORS/ACCESSORIES
- (1) 36" X 78" RIGHT SWING HINGED WALK-IN DOOR
- (1) 36" X 78" LEFT SWING HINGED WALK-IN DOOR
- SUPERDOOR: 3RD HINGE, DT INT & EXT 36"H
- 14" X 24" HEATED OBSERVATION WINDOW
- EXTERIOR CROSSOVER CORD
- STRIP CURTAIN
- MODULAR TSLC MULTI-MONITOR, DX-01
- MAG CONTACT, DX-02

REFRIGERATION - BY BALLY (CONDENSING UNIT MOUNTED OUTDOORS)

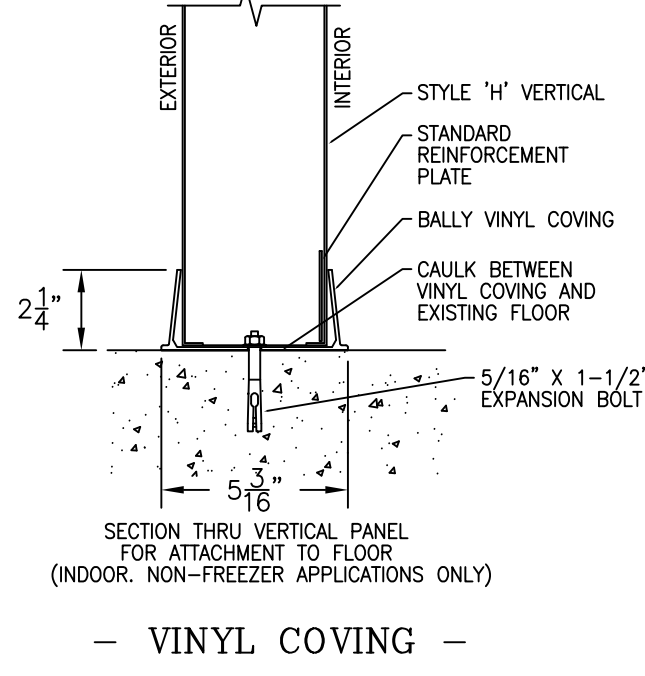
QTY	H/P	PROT	MODEL NUMBER	POWER SUPPLY	COMPRESSOR	FAN MFRS	TOTAL WATTS	AMPS	MCA	MAX	WAPT	
1	1.0		RA04M02010-M6-HS24B	208-230/1/60	10	41	1	1.7		14.2	20	C
1			BLV120P-E1	208-230/1/60	2	1/15/1.0	3180			18.4	20	C

- HEATED AND INSULATED RECEIVER
- CONDENSER WIND GUARD
- EVAPORATOR CABINET PAINTED WHITE
- ELECTRO FIN COATING EVAP/COND

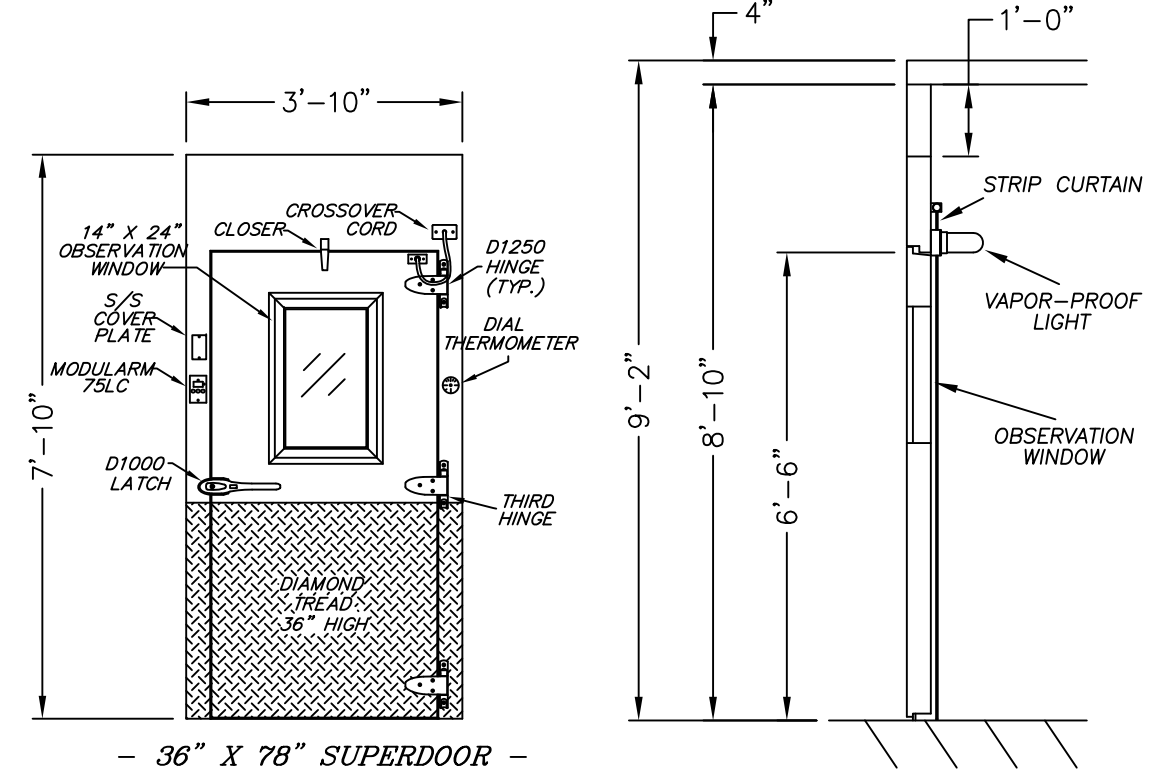
GENERAL NOTES
- NOTE: BALLY TO FURNISH NSF GRAY VINYL COVERED MOLDING AROUND PERIMETER OF COOLER. SEE NOTIFICATION M-197-81 FOR DETAILS.
- NOTE A: BALLY TO FURNISH 1/8" ALUMINUM DIAMOND TREAD WAINSCOT, 36" HIGH ON EXTERIOR OF (1) WALL AS SHOWN.
- NOTE: BALLY TO FURNISH EW CLOSURE TRIM. PLEASE ADVISE SIZE AND QUANTITY. ALL FASTENERS AND INSTALLATION BY OTHERS.
- NOTE: BALLY TO FURNISH (2) EXTRA VAPOR-PROOF LIGHTS WITH 23W FLUORESCENT BULBS. LIGHTS MOUNTED AND WIRED BY OTHERS. (DOOR LIGHT SWITCH 12-AMP MAXIMUM)



AIR GAP CIRCULATION RECOMMENDATION:
BALLY RECOMMENDS A 2" GAP BETWEEN WALLS IN DOOR AREA. APPROX. 1/2" GAP BETWEEN INSULATION AND WALLS. APPROX. 1/2" GAP BETWEEN INSULATION AND WALLS. APPROX. 1/2" GAP BETWEEN INSULATION AND WALLS.
S - ELECTRICAL CONNECTION
THIS DRAWING IS TO BE USED FOR APPROVAL ONLY.
-> DO NOT USE THIS DRAWING FOR INSTALLATION
EVERY SHIPPED ORDER WILL HAVE A FINALIZED "AS-BUILT" DRAWING.



SECTION THRU VERTICAL PANEL FOR ATTACHMENT TO FLOOR (INDOOR, NON-FREEZER APPLICATIONS ONLY)
- VINYL COVING -



SECTION VIEW THRU ENTRANCE DOOR
SCALE: 3/8" = 1' - 0" SHEET 1 OF 2

RESTRICTED, CONFIDENTIAL DOCUMENT.
THIS DRAWING AND ALL INFORMATION SHOWN HEREON ARE THE EXCLUSIVE PROPERTY OF BALLY REFRIGERATED BOXES, INC. ARE SUBMITTED ONLY ON A CONFIDENTIAL BASIS. THE RECIPIENT AGREES NOT TO REPRODUCE THE DRAWING, TO RETURN IT UPON REQUEST, AND THAT NO DISCLOSURE OF THE DRAWING OR THE INFORMATION SHOWN HEREON WILL BE MADE TO A THIRD PARTY WITHOUT PRIOR WRITTEN CONSENT FROM BALLY REFRIGERATED BOXES, INC.

SIGNED APPROVAL
SIGNED _____
DATE _____
PLEASE READ
THIS DRAWING HAS BEEN CAREFULLY CHECKED BY OUR DRAWING DEPARTMENT. HOWEVER, ERRORS OF INTERPRETATION CAN OCCUR. THEREFORE, BEFORE YOU RETURN DRAWING MARKED "APPROVED", BE CERTAIN THAT YOU CHECK THEM CAREFULLY.
NOTE - THIS ORDER WILL NOT BE SCHEDULED FOR PRODUCTION UNTIL RECEIPT OF APPROVED DRAWINGS BY BALLY.

IMPORTANT - PLEASE READ
THESE DRAWINGS ARE NOT TO BE CONSIDERED AS APPROVED BY LOCAL OR STATE BUILDING AUTHORITIES.
THESE DRAWINGS HAVE BEEN PREPARED SOLELY FOR THE GUIDANCE OF REGISTERED ARCHITECTS AND ENGINEERS AND FOR THE ASSISTANCE OF LOCAL INSTALLERS. IT IS THE RESPONSIBILITY OF THE PROJECT ARCHITECT OR ENGINEER TO ASSURE THE BUILDING DESIGN MEETS ALL LOCAL CODE REQUIREMENTS. THIS INCLUDES STRUCTURAL DESIGN AS WELL AS ANY WORK PERFORMED BY THE GENERAL CONTRACTOR FOR THE SUCCESSFUL COMPLETION OR USAGE OF THE STRUCTURE DESCRIBED.
THE DRAWINGS AND SPECIFICATIONS DESCRIBE A BUILDING ASSEMBLED FROM BALLY PANELS INSULATED WITH URETHANE FOAMED-IN-PLACE. THE SIZE AND SHAPE IS THAT WHICH MOST CLEARLY MEETS DIMENSIONS SUBMITTED BY THE USER.
BALLY REFRIGERATED BOXES, INC. PROVIDES PANELS FREQUENTLY SPECIFIED BY OTHERS, AND IS NOT RESPONSIBLE FOR THE SELECTION OR RECOMMENDATION BY OTHERS OF THE PANEL FINISH FOR ANY BUILDING OR WALK-IN APPLICATION.

Bally REFRIGERATED BOXES, INC.
FOR MAINE WHARF RESTAURANT
DRAWING NUMBER: 5121913AC
DATE: 02/14/14
DRAWN BY: DEF
ORDER NUMBER: 5121913

Project: Maine Wharf Restaurant
Architect: ARCHETYPE ARCHITECTS
48 Union Wharf Portland, Maine 04101
(207) 772-6022 Fax: (207) 772-4056
Consulting Engineer: TJM CONSULTING INC.
Foodservice Consulting and Design
273 Main Street, Suite 5 - Yarmouth, Maine 04096
Prepared For: NAUSETT ASSOCIATES
72 COMMERCIAL STREET
PORTLAND, ME 04101
Date: 09 April 2014
Scale: As Noted
Revisions:
Foodservice Equipment
Walk-In Cooler Detail
FS-6