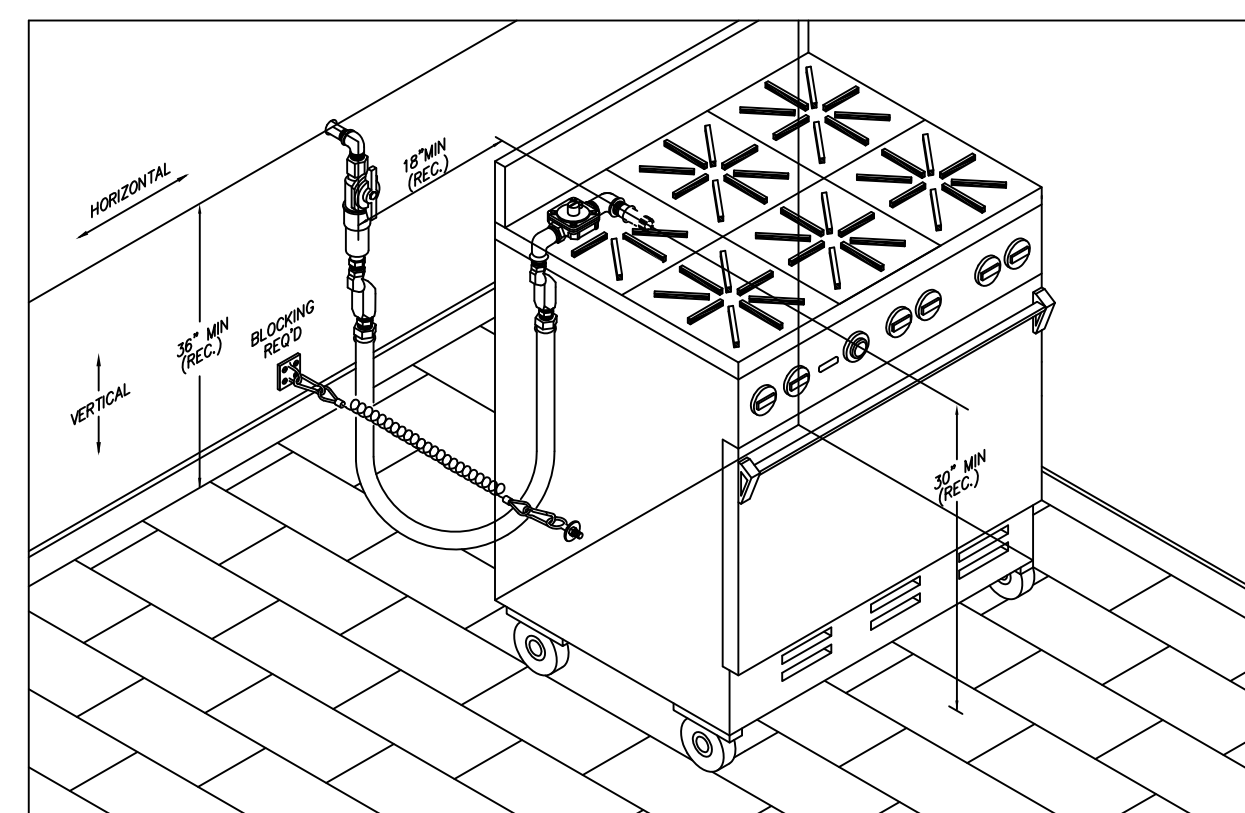


NOTE # 1: THESE DRAINS SHALL BE ROUTED THRU A DRAIN PUMP SYSTEM DESIGNED BY MECHANICAL CONTRACTOR. COORDINATE ALL WASTE CONNECTIONS.



FLEXIBLE GAS CONNECTION DETAIL
SCALE: NONE

LEGEND — PLUMBING CONNECTIONS

- HW—HOT WATER, OR CW—COLD WATER
- S—STEAM SUPPLY, OR C—CONDENSATE RETURN
- GAS SUPPLY
- WASTE, DIRECT—CONNECTED UNLESS NOTED "OPEN HUB"
- FLOOR SINK WITH HALF GRATE UNLESS NOTED OTHERWISE
- ⊕ FLOOR DRAIN
- ⊕ FLOOR DRAIN W/ATTACHED FUNNEL
- - - FIELD CONNECTIONS

