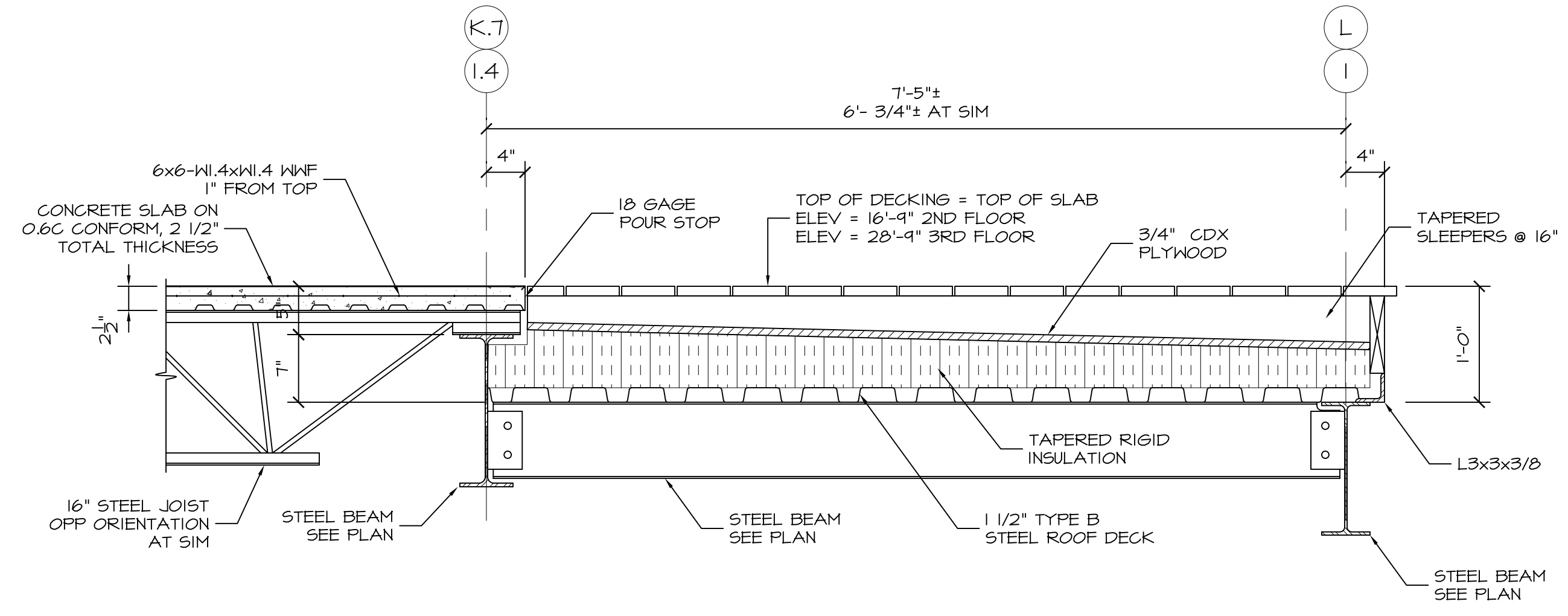
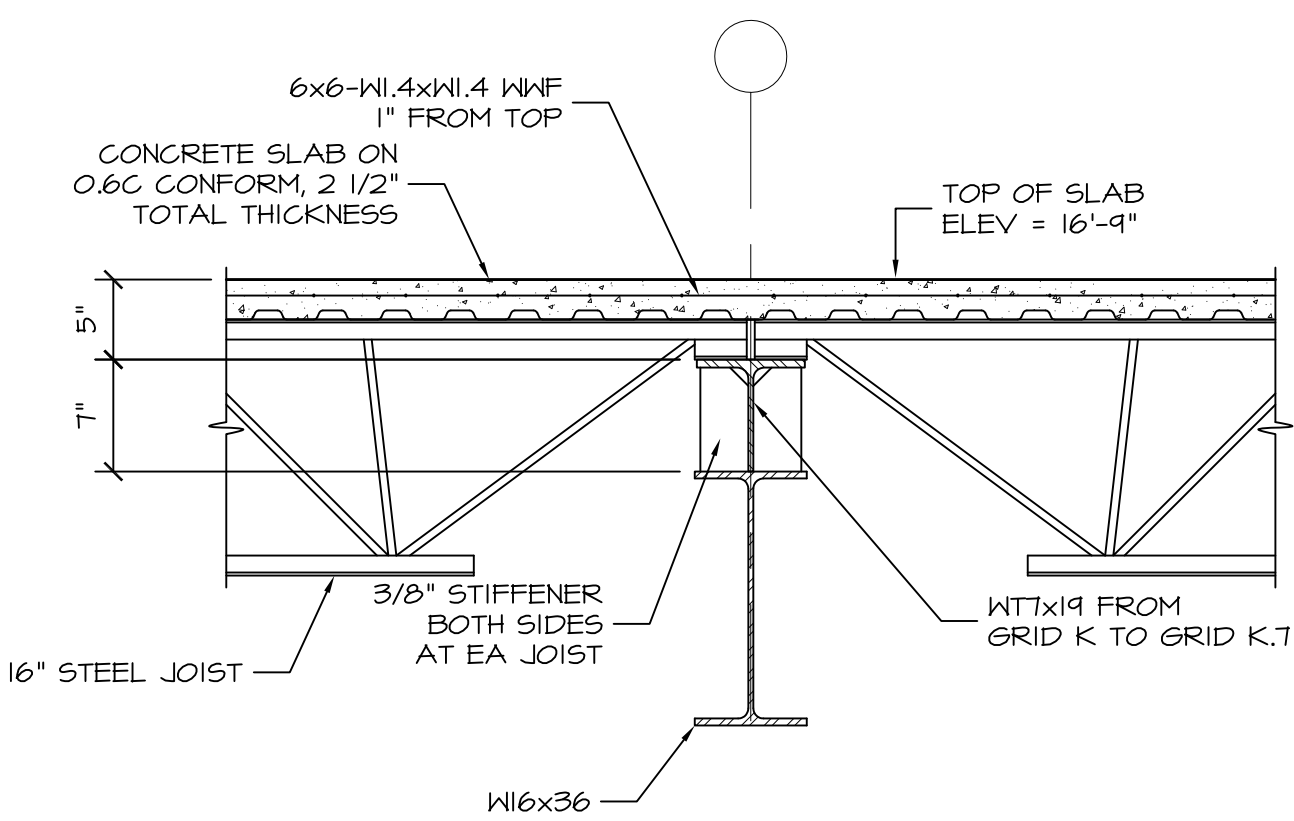


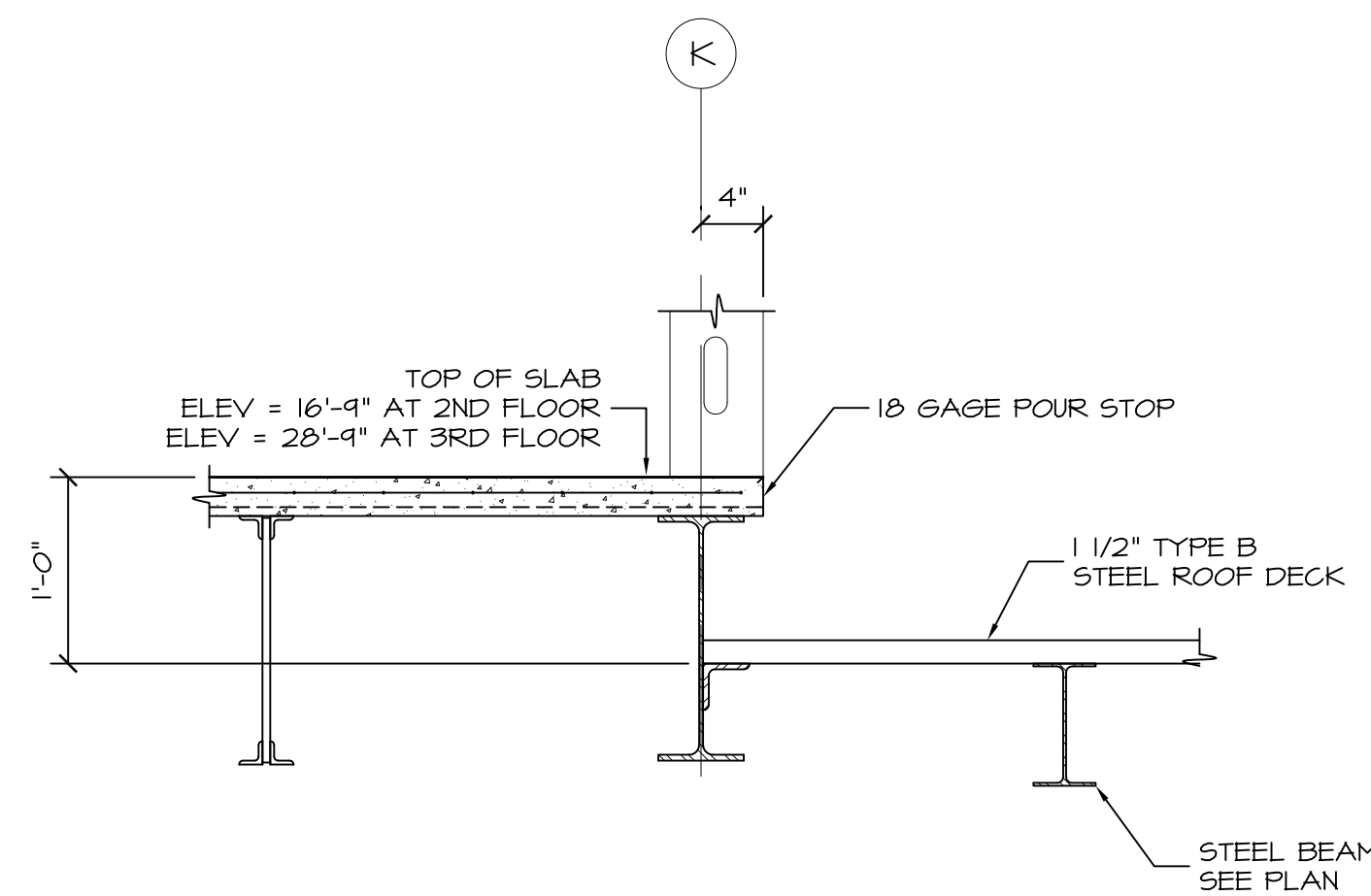
**SECTION 1**  
1/2"=1'-0" S3.01  
COORDINATE ALL ELEVATOR PIT DIMENSIONS  
WITH ELEVATOR SUPPLIER.



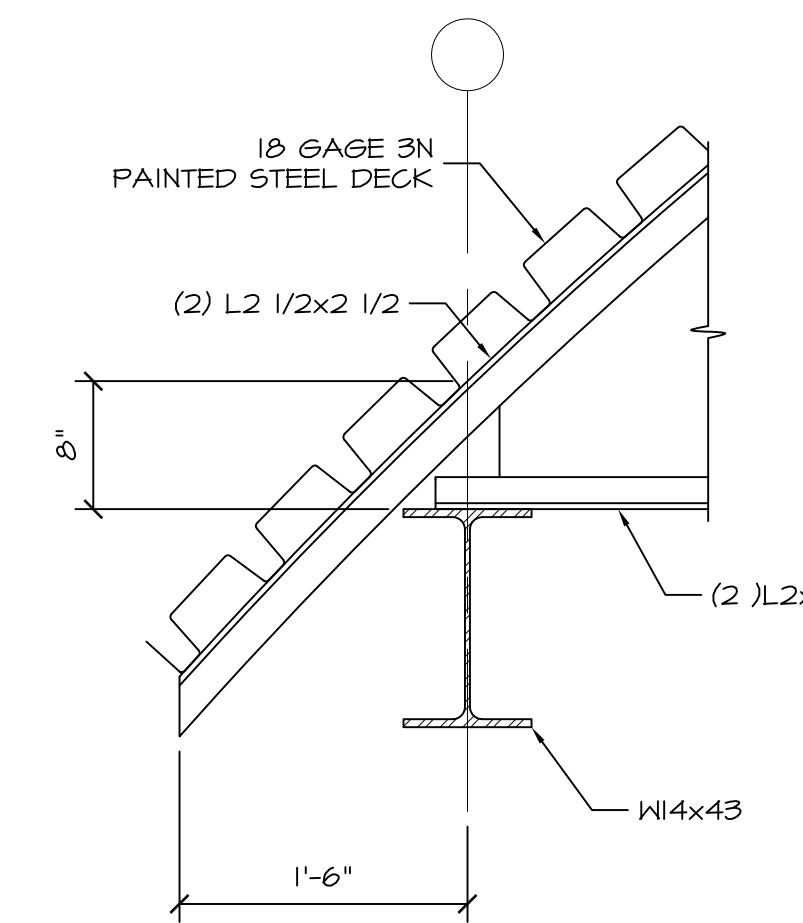
**SECTION 2**  
1"=1'-0" S3.02  
S3.03



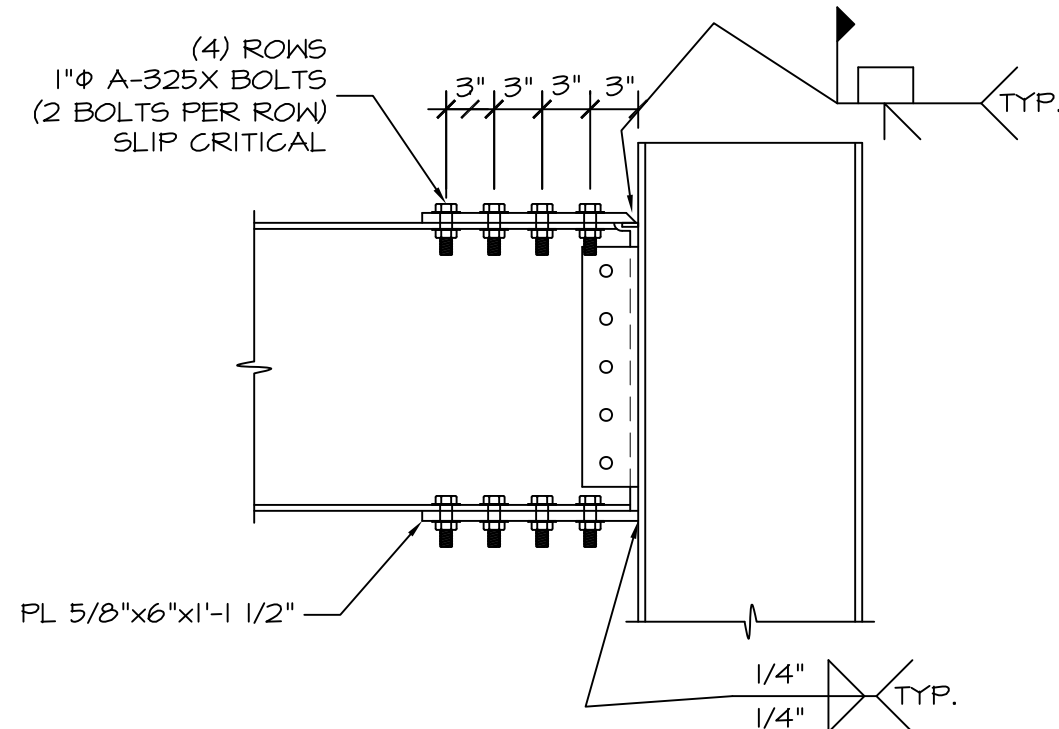
**SECTION 3**  
1"=1'-0" S3.02



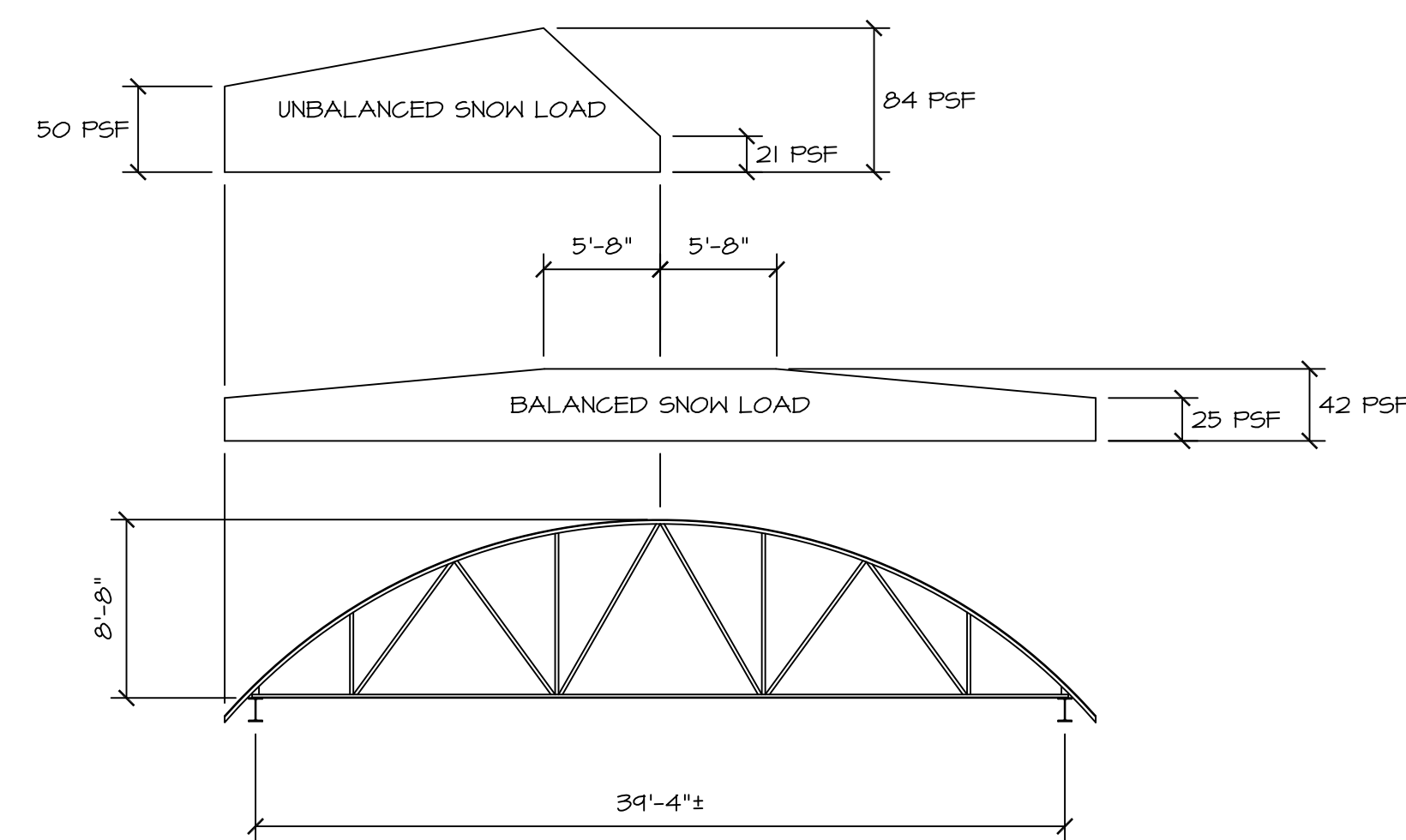
**SECTION 4**  
1"=1'-0" S3.02  
S3.03



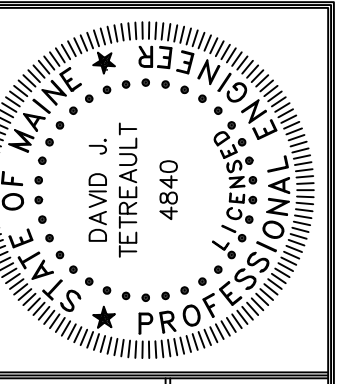
**SECTION 5**  
1"=1'-0" S3.04



**TYPICAL MOMENT CONNECTION**  
1/2"=1'-0"



**BOWSTRING TRUSS ELEVATION**  
1/8"=1'-0"  
SPACED AT 10'-0"±  
TOP CHORD DEAD LOAD = 20 PSF  
BOTTOM CHORD DEAD LOAD = 10 PSF



Prepared For: **MAINE WHARF, LLC**  
P.O. Box 535  
BUXTON, ME 04093

Consulting Engineer: **STRUCTURAL DESIGN CONSULTING**  
22 Oxbow Drive  
Old Orchard Beach, ME 04064-4121  
Tel: 207.934.8038  
Fax: 207.934.8039

Architect: **ARCHETYPE architects**  
48 Union Wharf, Portland, Maine 04101  
(207) 772-6022 Fax (207) 772-4056

Project: **MAINE WHARF BUILDING 1**  
68 Commercial Street  
Portland, ME

Revisions:	Date	By
Phase 2 Permit & Const.	12/04/13	
Phase 3 Permit & Const.	12/12/13	

Date: 04 Dec 2013  
Scale: As Noted  
**STRUCTURAL SECTIONS AND DETAILS**

**S4.02**