

DOOR SCHEDULE

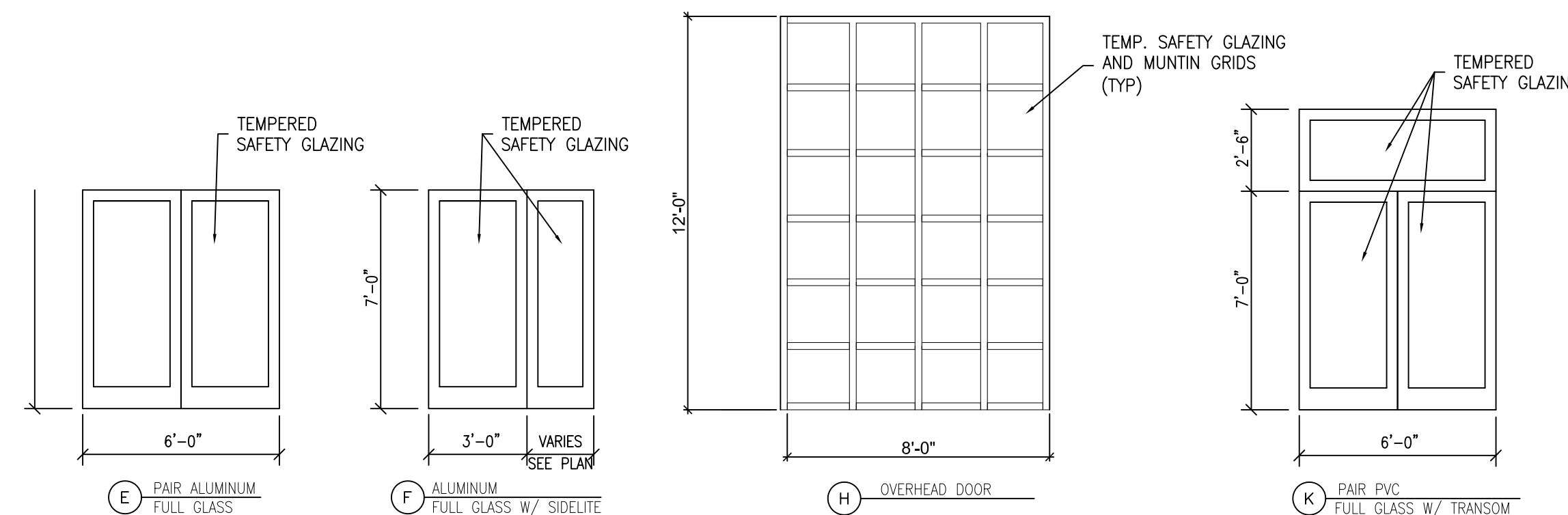
DOOR SCHEDULE ABBREVIATIONS

CLO. CLOSER	HM HOLLOW METAL	S.C. SOLID CORE HARDBOARD
DSI DOOR SILENCERS	INS INSULATED	S.H. SPRING HINGE
D.S. DOOR SWEEP (SOUNDPROOFING)	K KICKPLATE (PUSH SIDE)	S.J. SPLIT JAMB (WOOD)
DST DOOR STOP	KL KEY LOCK	TEMP TEMPERED SAFETY GLAZING
EHO ELECTRO. HOLD OPENER	MTL. METAL	TL THUMB LATCH
ES ELECTRIC STRIKE	NO NUMBER	THK THICKNESS
F.J.P. FINGER JOINTED PRIMED	PS PASSAGE SET	UC UNDERCUT
FR FIRE RATED	P.H. FIRE EXIT PANIC HARDWARE (NOTE 3)	WD WOOD (SOLID)
HA HANDICAP ACCESSIBLE	P.P. PUSH PADDLE	WG WIRE GLASS
HC HOLLOW CORE HARDBOARD	PVS PRIVACY SET	WS WEATHERSTRIPPING
HDWE HARDWARE	S. STEEL	VIF VERIFY IN FIELD

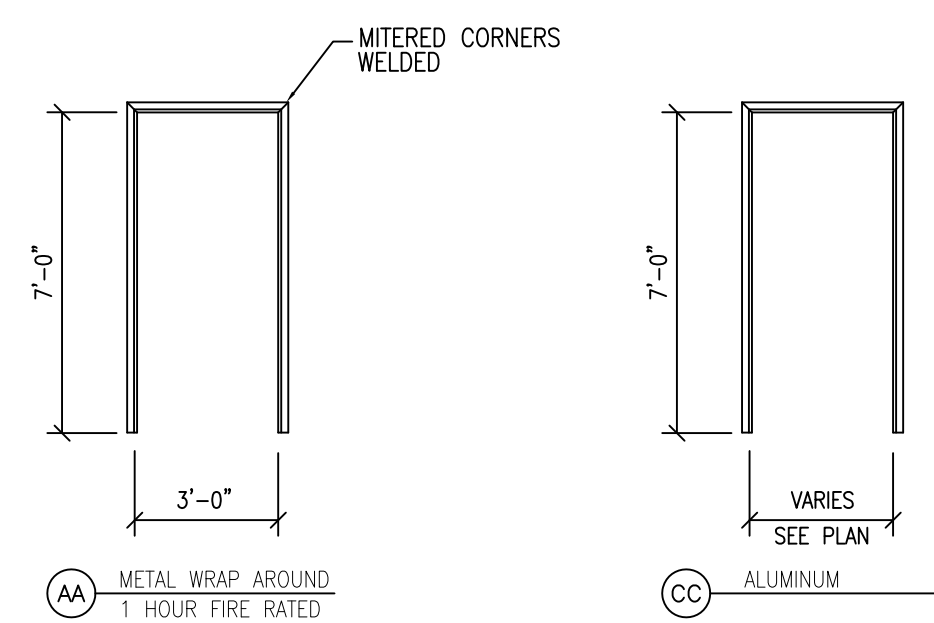
DOORS										FRAME TYPES				THRESHOLD		REMARKS		
MARK	TYPE	SIZE	THK.	F.R.	HDWE SET	MAT.	GLASS		REMARKS	TYPE	MAT.	F.R.	DETAILS		MAT.		DETAIL	
							SIZE	TYPE					HEAD	JAMB				SILL
101	E	(PR) 3'-0" x 7'-0"	-	-	FIRE EXIT PANIC HDWRE	ALUM	FULL	INS GLASS	HA, CLO, PH, DSI, DS, TEMP, WS	CC	ALUM	-	-	-	ALUM	-	1/2" MAX	NOTE 3
102	F	3'-0" x 7'-0"	-	-	FIRE EXIT PANIC HDWRE		FULL	INS GLASS	HA, CLO, PH, DSI, DS, TEMP, WS	CC	ALUM	-	-	-	ALUM	-	1/2" MAX	NOTE 3, FULL GLASS SIDELIGHT
103	H	8'-0" x 12'-0"	-	-	-	ALUM	FULL	INS GLASS	MANUF. OVERHEAD DOOR HARDWARE WITH ELECTRIC OPERATORS	CC	ALUM	-	-	-	ALUM	-	1/2" MAX	NOTE 3
201	K	(PR) 3'-0" x 7'-0"	-	-	LEVER	PVC	FULL	INS GLASS	HA, CLO, DSI, TEMP, KL, WS	AA	METAL	-	-	-	-	-	-	-
202	K	(PR) 3'-0" x 7'-0"	-	-	LEVER	PVC	FULL	INS GLASS	HA, CLO, DSI, TEMP, KL, WS	AA	METAL	-	-	-	-	-	-	-
301	K	(PR) 3'-0" x 7'-0"	-	-	LEVER	PVC	FULL	INS GLASS	HA, CLO, DSI, TEMP, KL, WS	AA	METAL	-	-	-	-	-	-	-
302	K	(PR) 3'-0" x 7'-0"	-	-	LEVER	PVC	FULL	INS GLASS	HA, CLO, DSI, TEMP, KL, WS	AA	METAL	-	-	-	-	-	-	-

NOTES

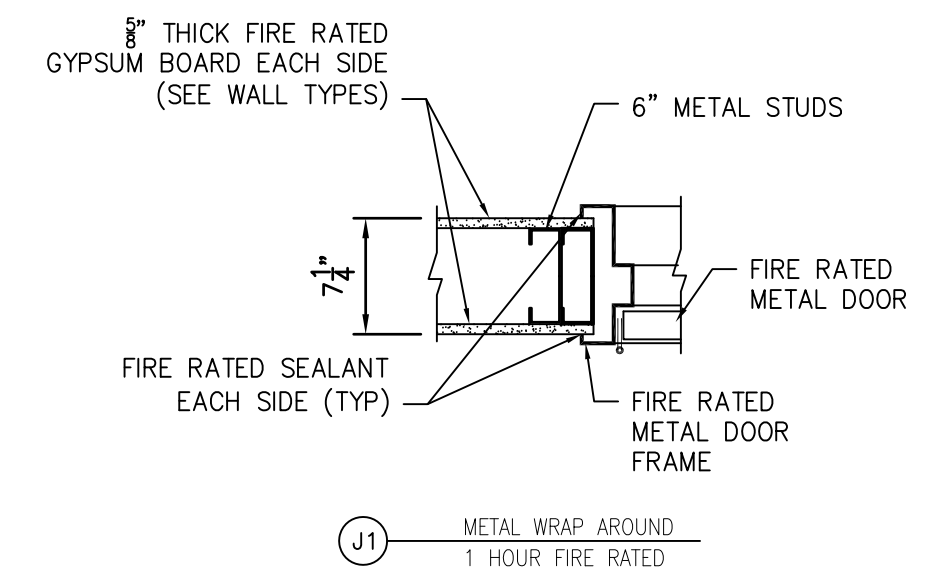
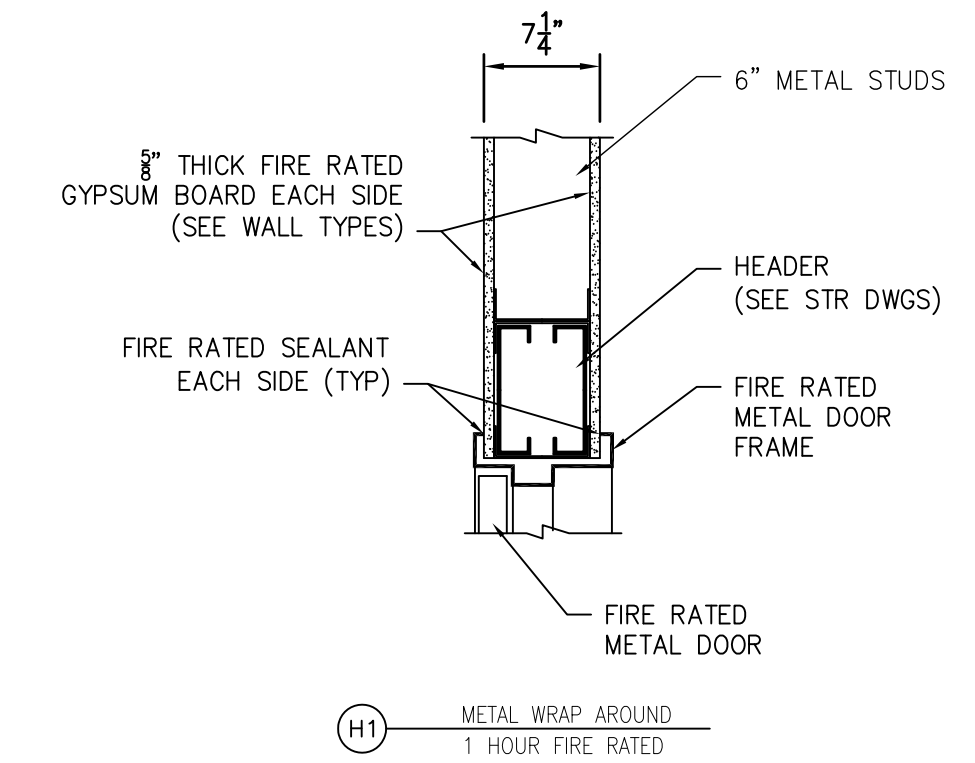
- SPECIFIC SELECTION OF DOOR TYPES, THICKNESS, VENEER, HINGES, LEVER HANDLES, FIRE EXIT PANIC BARS, PUSH PADS, WOOD TRIM AND OTHER RELATED DOOR HARDWARE BY OWNER/G.C. (MAINTAIN FIRE RATINGS REQUIRED FOR DOORS, FRAMES AND HARDWARE DEVICES INDICATED IN THIS SCHEDULE, TYP)
- ALL NON-FIRE RATED DOORS SHALL BE EQUIPPED WITH LEVER TYPE HANDLES (UON) AND SHALL BE ADA COMPLIANT. OPERABLE PARTS SHALL BE 34" MIN. TO 48" MAX. ABOVE FINISHED FLOOR AND OPERATE WITH ONE HAND AND SHALL NOT REQUIRE TIGHT GRASPING, PINCHING, OR TWISTING OF THE WRIST. THE FORCE REQUIRED TO ACTIVATE OPERABLE PARTS SHALL BE 5 POUNDS (22.2N) MAXIMUM.
 - o) DOOR CLOSERS SHALL BE ADJUSTED SO THAT FROM AN OPEN POSITION OF 90 DEGREES, THE TIME REQUIRED TO MOVE THE DOOR TO A POSITION OF 12 DEGREES FROM THE LATCH IS SECONDS, MINIMUM
- LABELED FIRE DOORS OR EGRESS EXIT DOORS SHALL BE EQUIPPED WITH FIRE EXIT PANIC HARDWARE CONSISTING OF LISTED FIRE LABEL (IF APPLICABLE) WITH LATCHING MECHANISM. REQUIRED FIRE EXIT PANIC HARDWARE SHALL NOT BE EQUIPPED WITH ANY LOCKING DEVICE, SET SCREW, OR OTHER ARRANGEMENT THAT PREVENTS THE RELEASE OF THE LATCH WHEN PRESSURE IS APPLIED TO THE RELEASING DEVICE.



DOOR TYPES



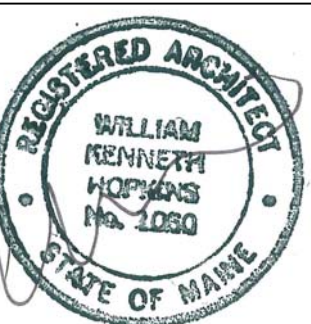
FRAME TYPES



HEAD & JAMB TYPES

NOTES

- DESIGN OF HEADS, JAMBS ETC. - SEE STRUCTURAL DRAWINGS
- G.C. VERIFY ACTUAL THICKNESS OF EXISTING WALLS IN FIELD PRIOR TO ORDERING OR FABRICATION.
- WALL TYPES-SHEET A



Prepared For:
MAINE WHARF LLC
72 COMMERCIAL STREET
PORTLAND, ME 04101

Consulting Engineer:

Architect:
ARCHETYPE architects
48 Union Wharf Portland, Maine 04101
(207) 772-6022 Fax (207) 772-4056

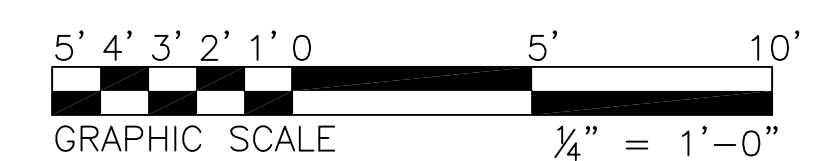
Project:
MAINE WHARF
68 COMMERCIAL STREET
PORTLAND, MAINE

Revisions:
PHASE 3 PERMIT AND CONST.
12/13/13

Scale:
AS INDICATED
PHASE 3
DOOR SCHEDULE

Date:

13 Dec 2013



A4.02