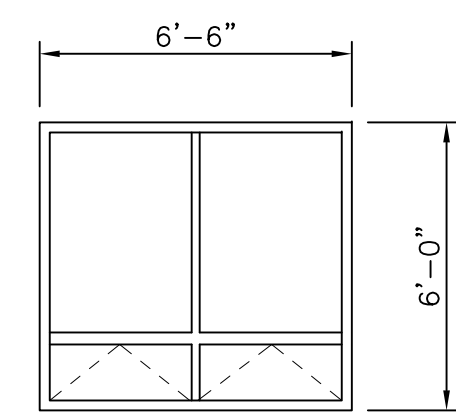
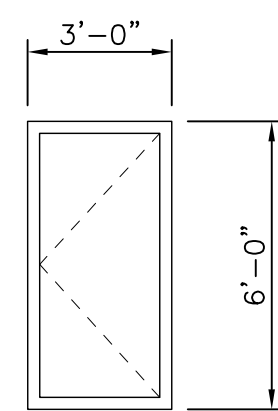


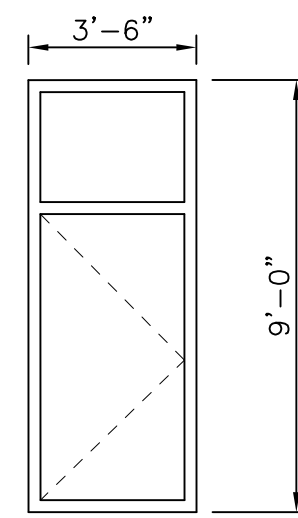
\* WINDOW SCHEDULE \*



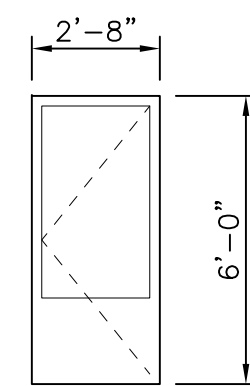
TYPE **A2**  
ALUM. FIXED OVER AWNING WINDOWS  
WITH MULLION  
(FIRST FLOOR)



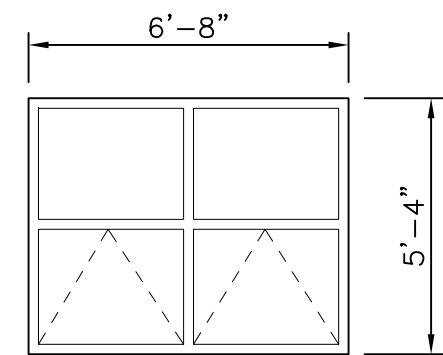
TYPE **A3**  
PVC CASEMENT WINDOW



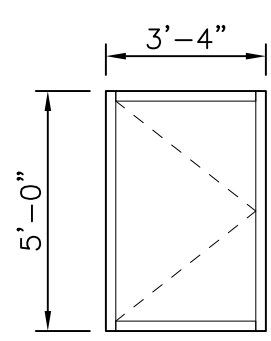
TYPE **A4**  
PVC FIXED OVER CASEMENT WINDOW



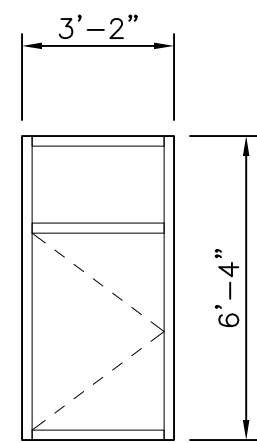
TYPE **D**  
ALUM. CASEMENT WINDOW  
(FIRST FLOOR)



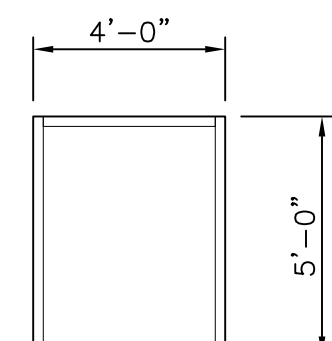
TYPE **G**  
PVC FIXED OVER AWNING WINDOW  
CENTER MULLION



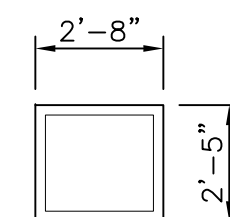
TYPE **K**  
PVC CASEMENT WINDOW



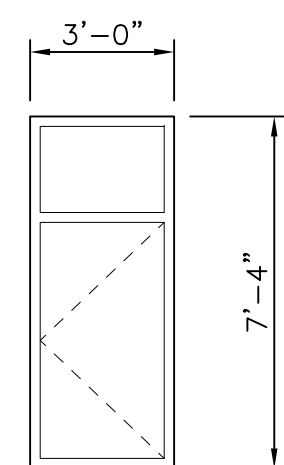
TYPE **L**  
PVC FIXED OVER CASEMENT  
WINDOW



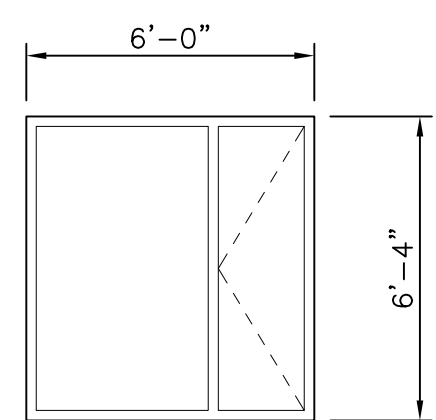
TYPE **M**  
PVC FIXED WINDOW



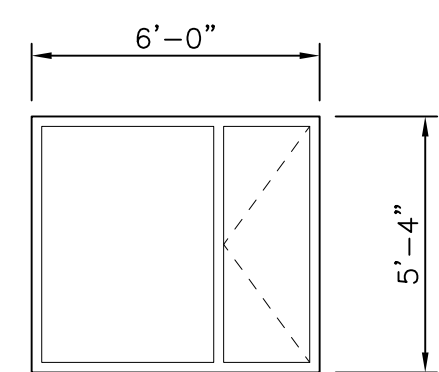
TYPE **N**  
ALUM. FIXED WINDOW  
(FIRST FLOOR)



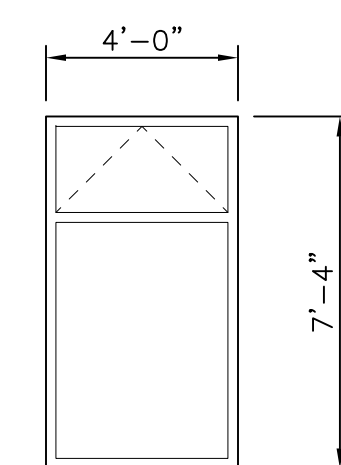
TYPE **U**  
PVC FIXED OVER CASEMENT WINDOW



TYPE **V**  
PVC FIXED ADJACENT TO CASEMENT WINDOW  
WITH MULLION

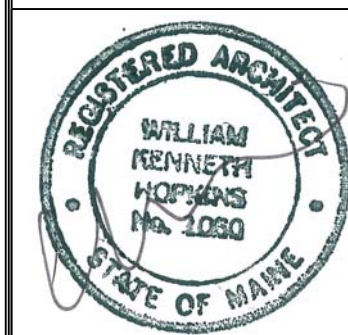


TYPE **V1**  
PVC FIXED ADJACENT TO CASEMENT WINDOW  
WITH MULLION



TYPE **W1**  
PVC FIXED BELOW AWNING WINDOW

NOTE:  
ALL WINDOW OPENINGS  
MEASUREMENTS TO BE  
FIELD VERIFIED.



Prepared For:  
**MAINE WHARF LLC**  
72 COMMERCIAL STREET  
PORTLAND, ME 04101

Consulting Engineer:

Architect:  
**ARCHETYPE**  
architects  
48 Union Wharf Portland, Maine 04101  
(207) 772-6022 Fax (207) 772-4056

Project:

**MAINE WHARF**  
68 COMMERCIAL STREET  
PORTLAND, MAINE

Revisions:  
PHASE 3 PERMIT AND CONST.  
12/13/13

Date: 13 Dec 2013  
Scale: AS INDICATED  
**PHASE 3**  
**WINDOW SCHEDULE**

**A4.01**