

Prepared For:  
**MAINE WHARF LLC**  
 72 COMMERCIAL STREET  
 PORTLAND, ME 04101

Consulting Engineer:

Architect:  
**ARCHETYPE architects**  
 48 Union Wharf Portland, Maine 04101  
 (207) 772-6022 Fax (207) 772-4056

Project:  
**MAINE WHARF**  
 68 COMMERCIAL STREET  
 PORTLAND, MAINE

Revisions:  
 PHASE 3 PERMIT AND CONST.  
 12/13/13

Scale:  
 AS INDICATED

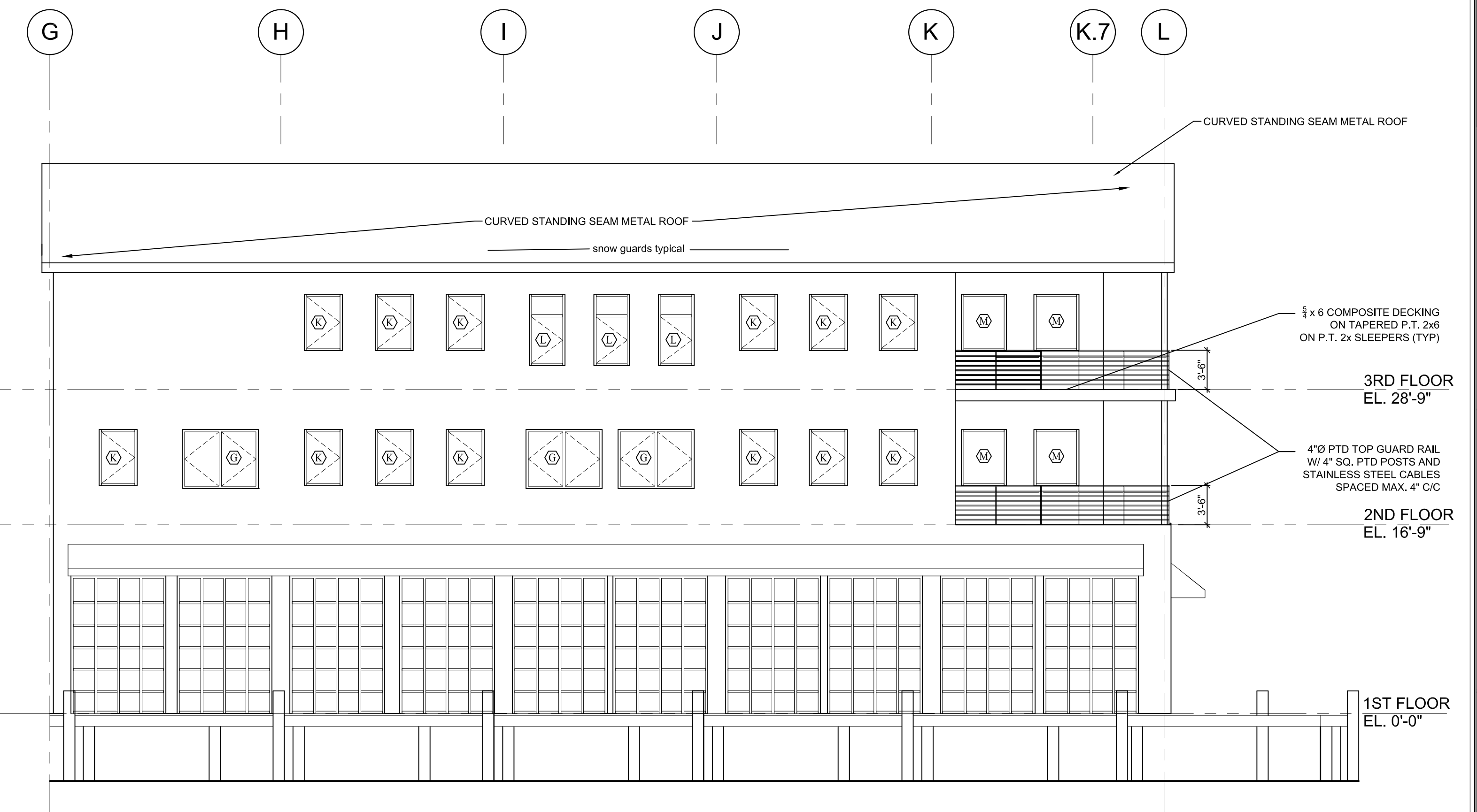
Date:  
 13 Dec 2013

**PHASE 3 BUILDING ELEVATIONS**

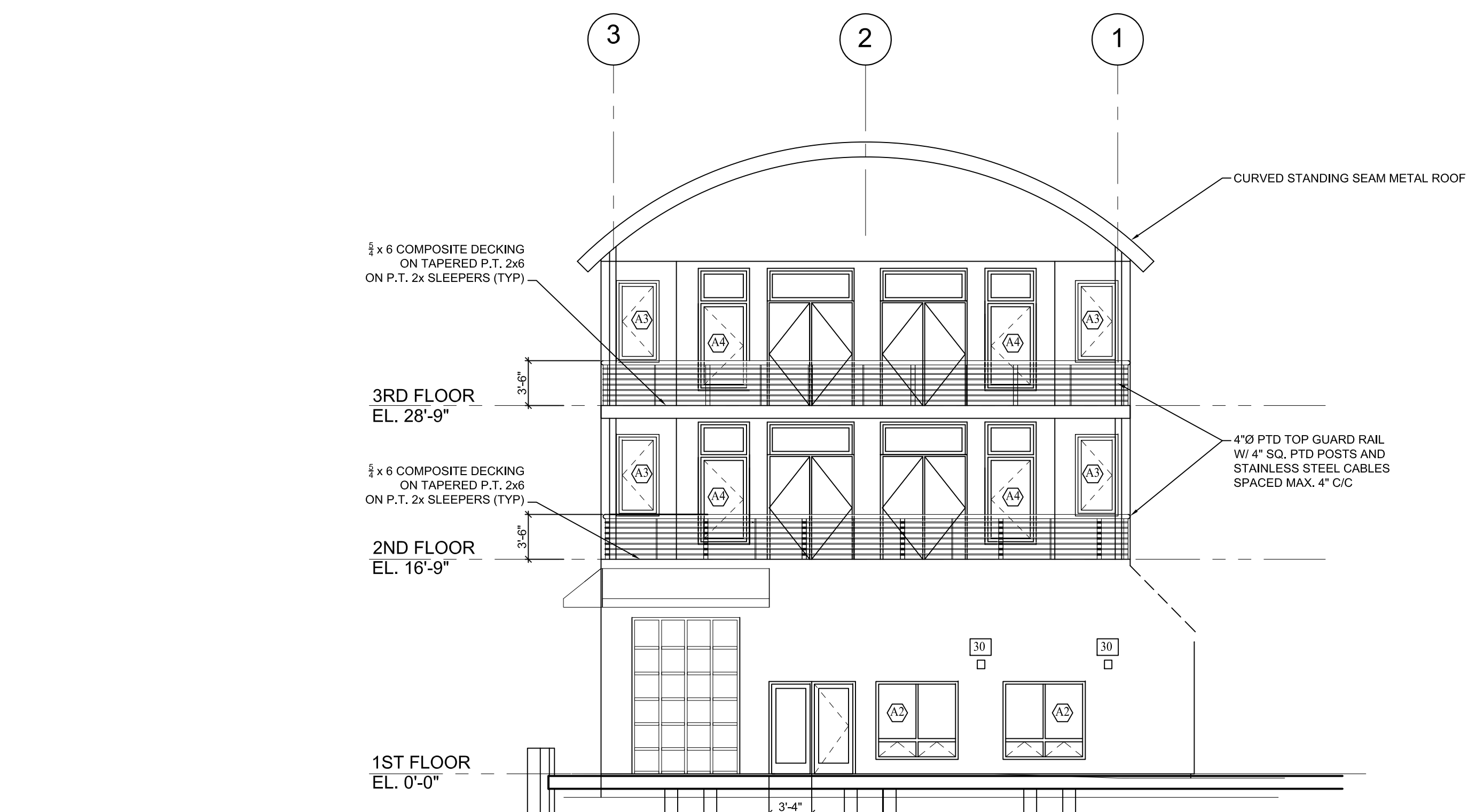
**A2.01**



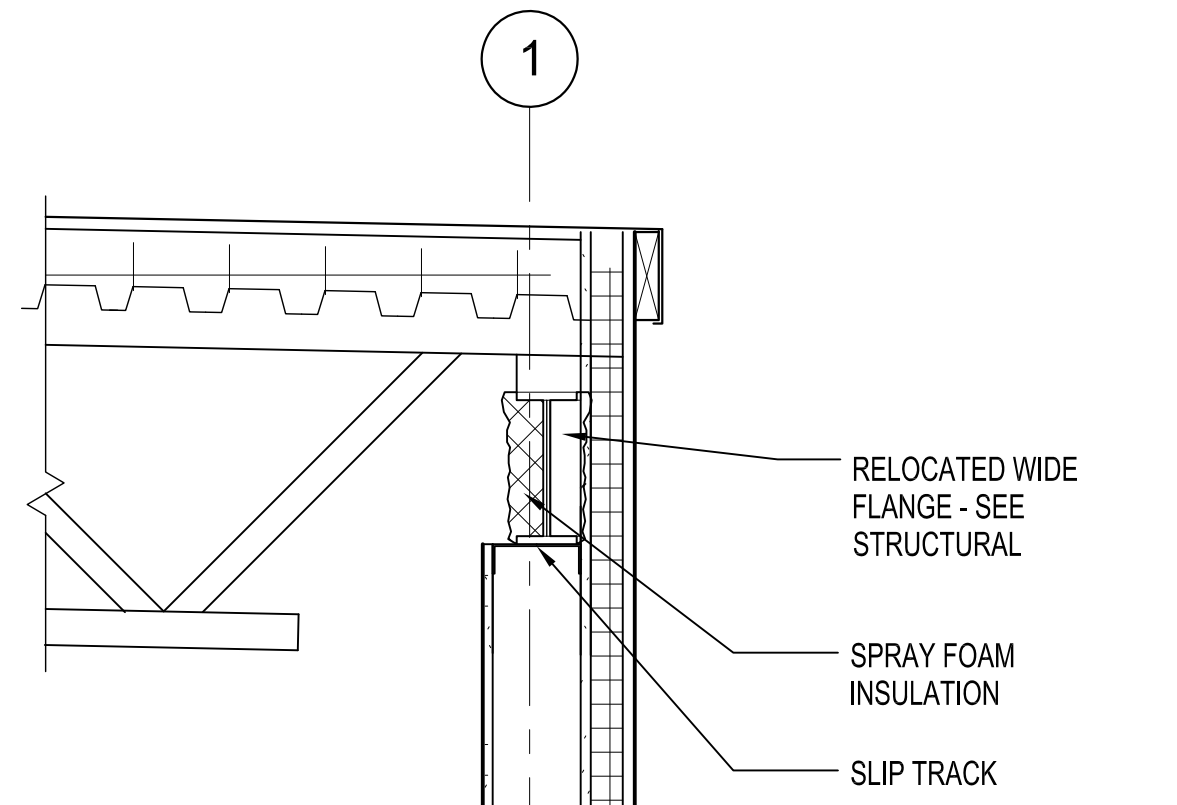
**1 EAST ELEVATION**  
 1/8" = 1'-0"  
 10' 8' 6" 4' 2' 0' 5' 10' 20'



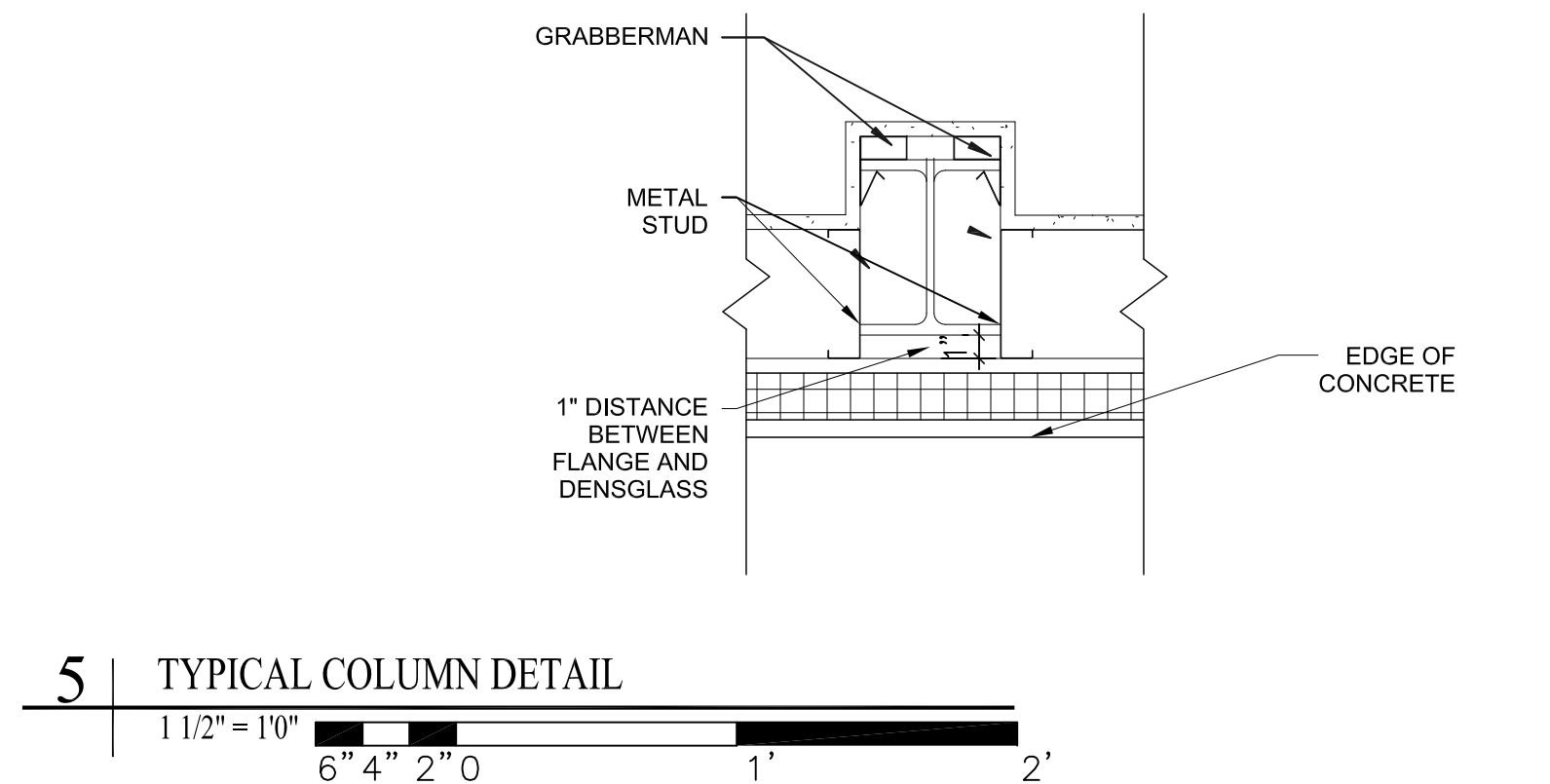
**2 WEST ELEVATION**  
 1/8" = 1'-0"  
 10' 8' 6" 4' 2' 0' 5' 10' 20'



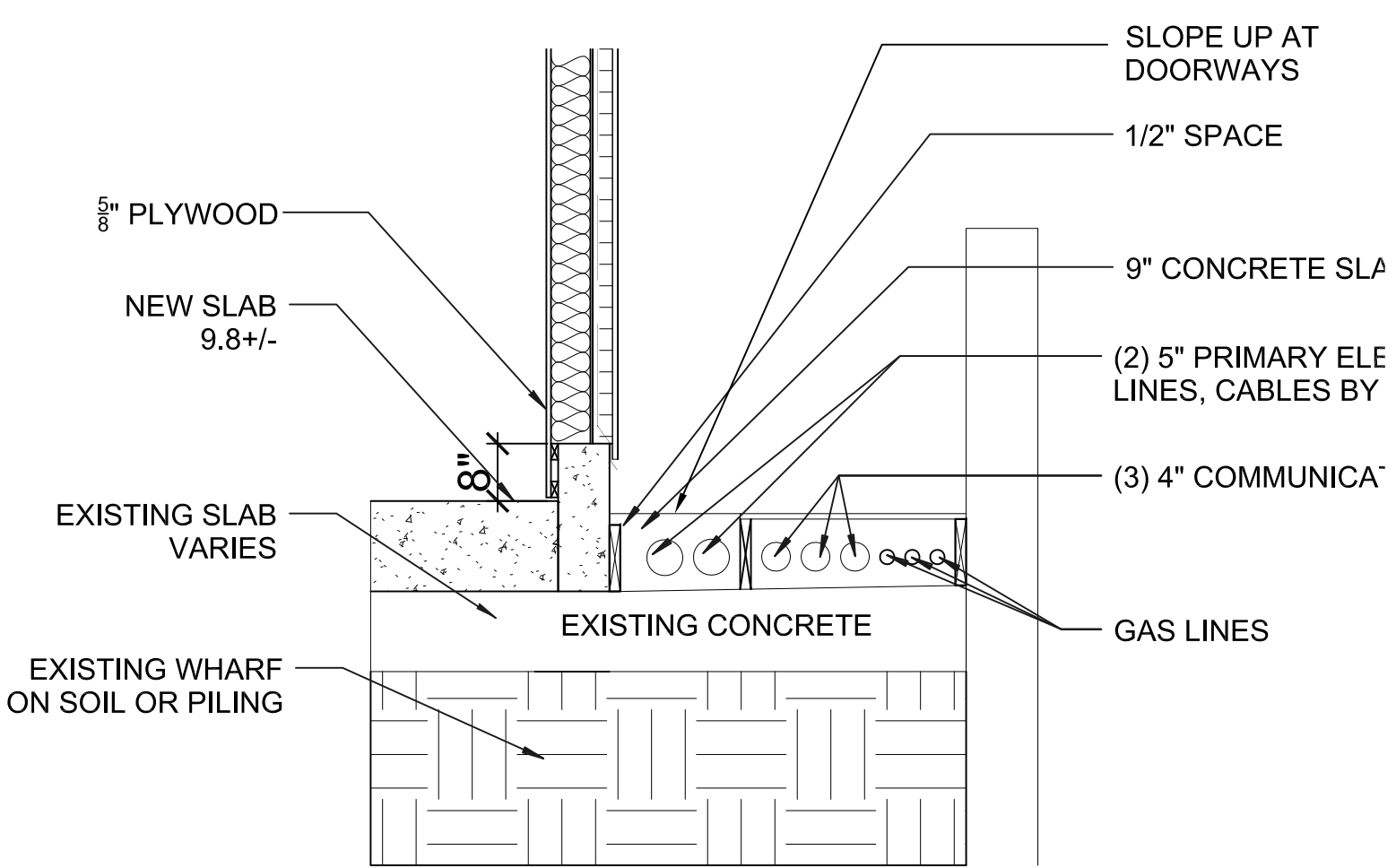
**3 SOUTH ELEVATION**  
 1/8" = 1'-0"  
 10' 8' 6" 4' 2' 0' 5' 10' 20'



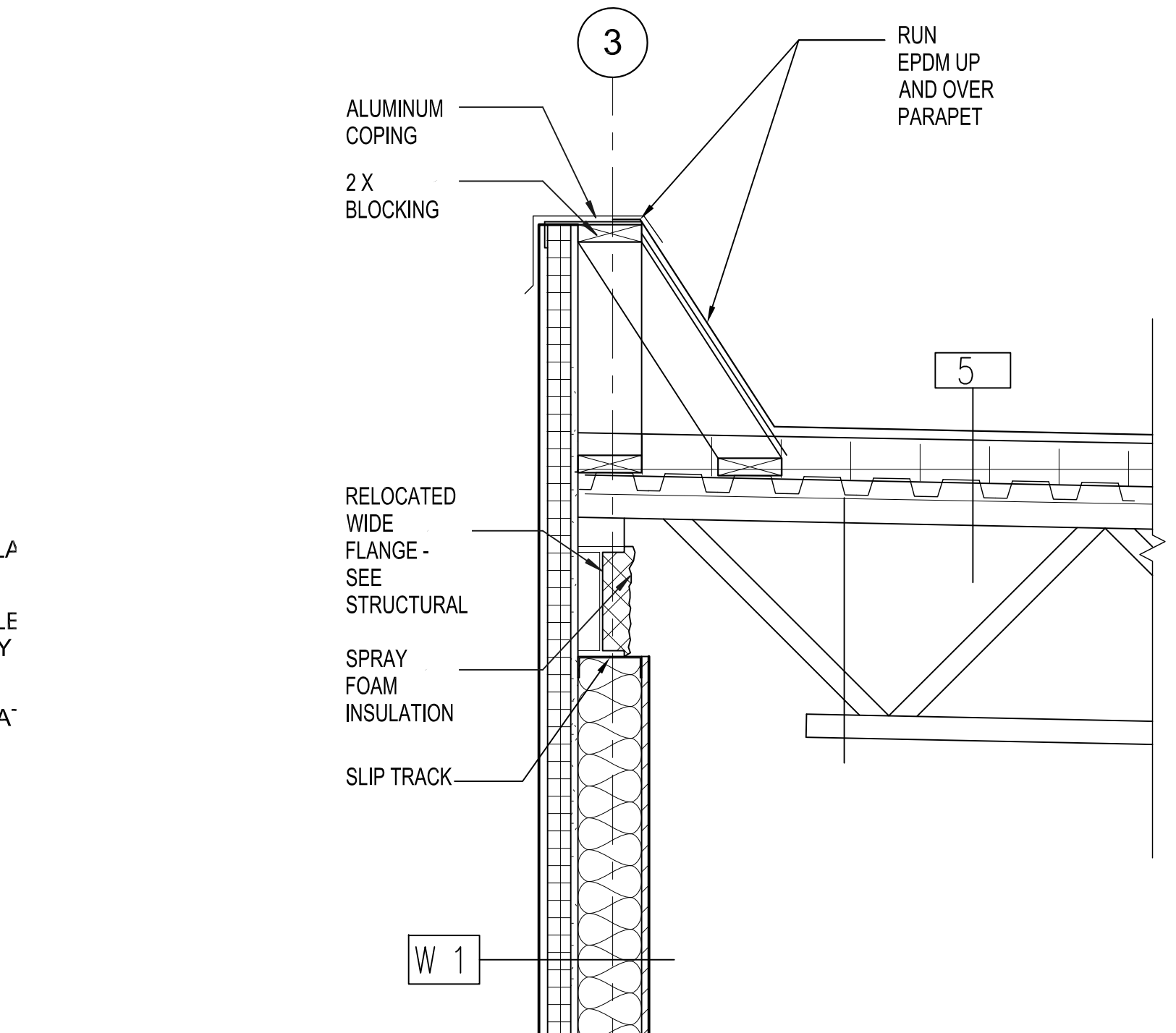
**4 ROOF DETAIL**  
 1" = 1'-0"  
 1' 6" 3' 0' 2'-6"



**5 TYPICAL COLUMN DETAIL**  
 1 1/2" = 1'0"  
 6" 4" 2" 0' 1' 2'



**6 UTILITIES**  
 1/2" = 1'-0"  
 2' 1' 6" 0'



**7 PARAPET DETAIL**  
 1" = 1'-0"  
 1' 6" 3' 0' 2'-6"