

Prepared For:  
**MAINE WHARF LLC**  
 72 COMMERCIAL STREET  
 PORTLAND, ME 04101

Consulting Engineer:

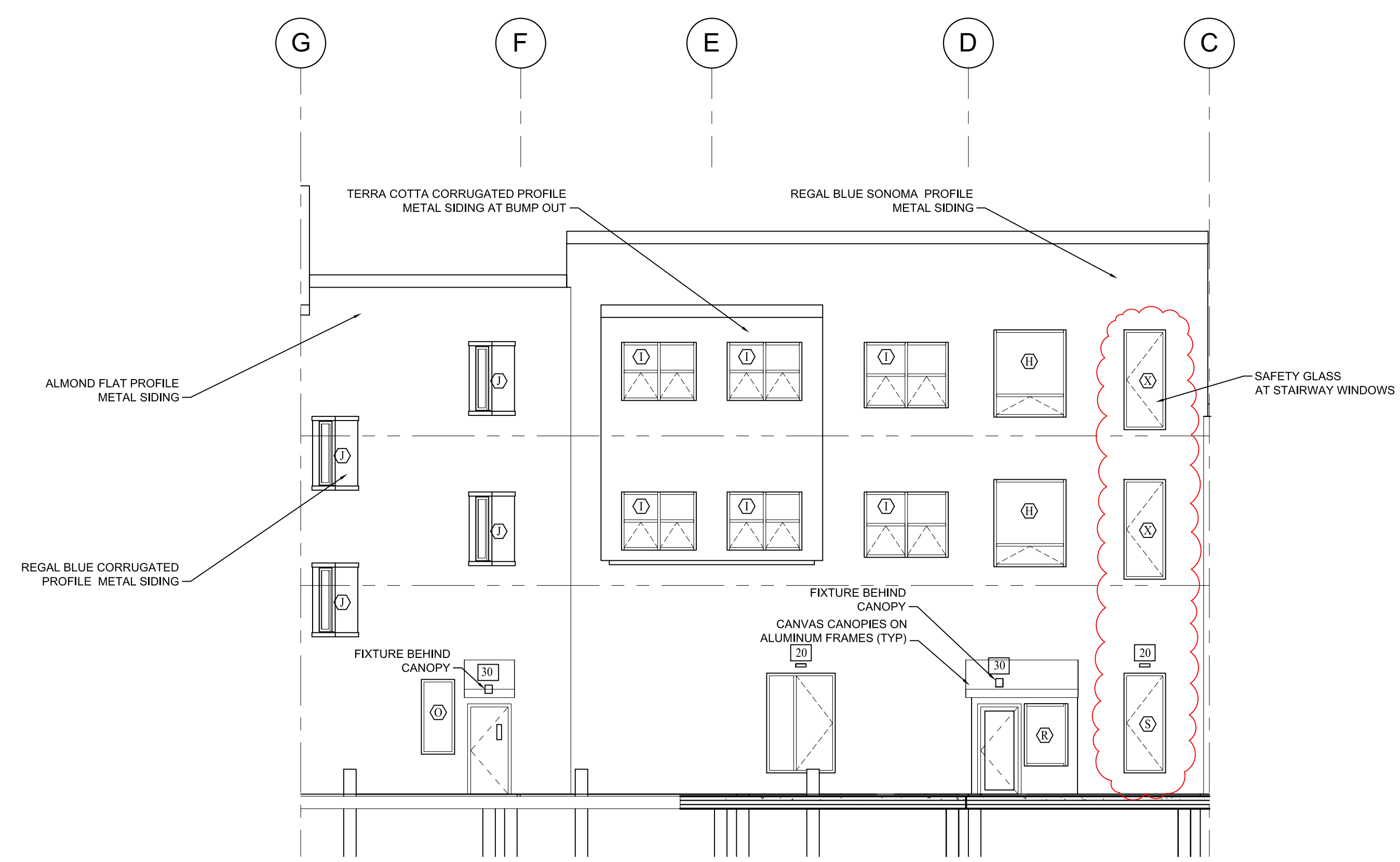
Architect:  
**ARCHETYPE**  
 architects  
 48 Union Wharf Portland, Maine 04101  
 (207) 772-6022 Fax (207) 772-4056

Project:  
**MAINE WHARF**  
 68 COMMERCIAL STREET  
 PORTLAND, MAINE

Revisions:  
 12/04/13 PHASE 2 PERMIT AND  
 CONST.  
 01/22/14 ADDED SAFETY GLASS

Date: 04 Dec 2013  
 Scale: AS INDICATED  
**PHASE 2 BUILDING  
 ELEVATIONS**

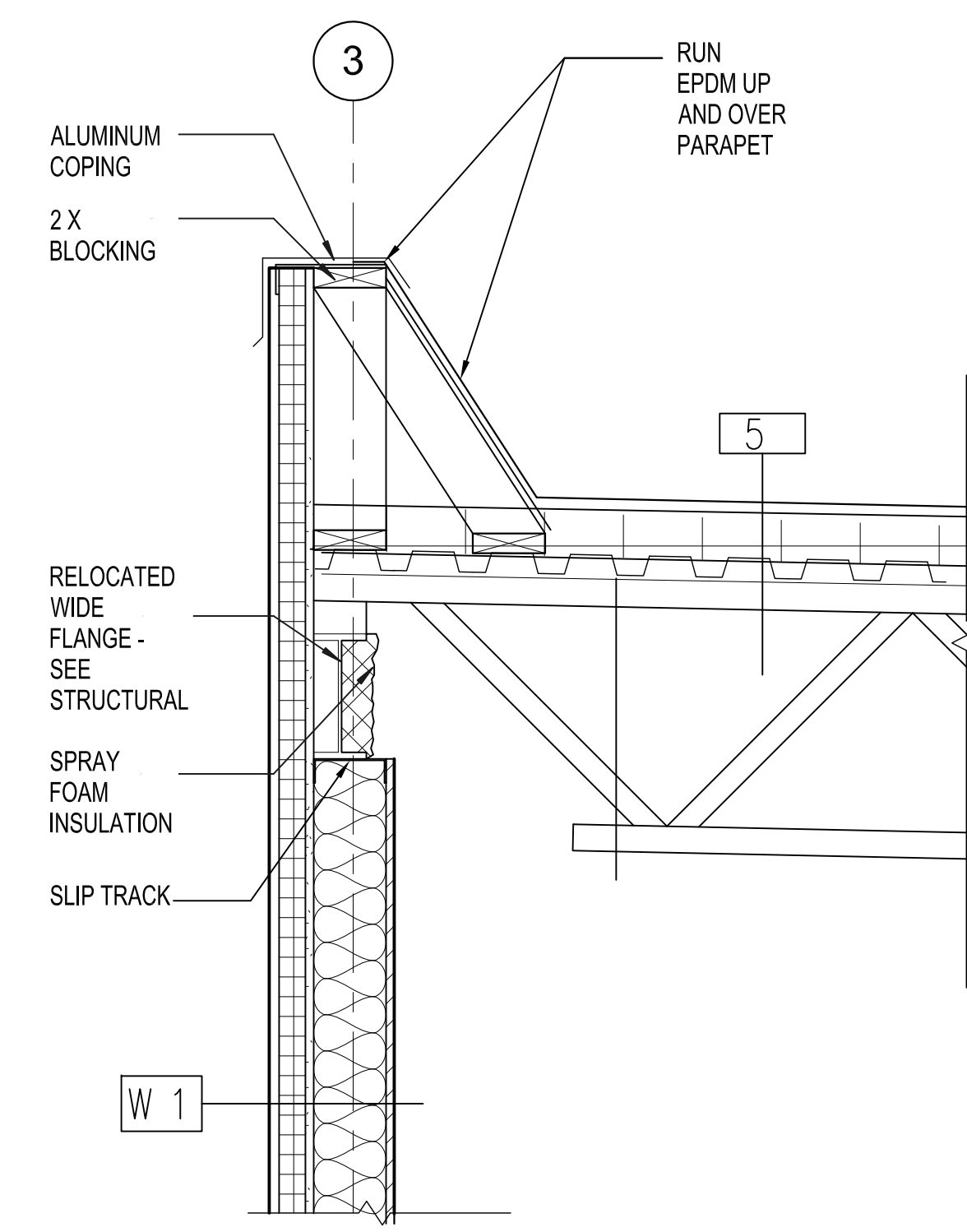
**A2.01**



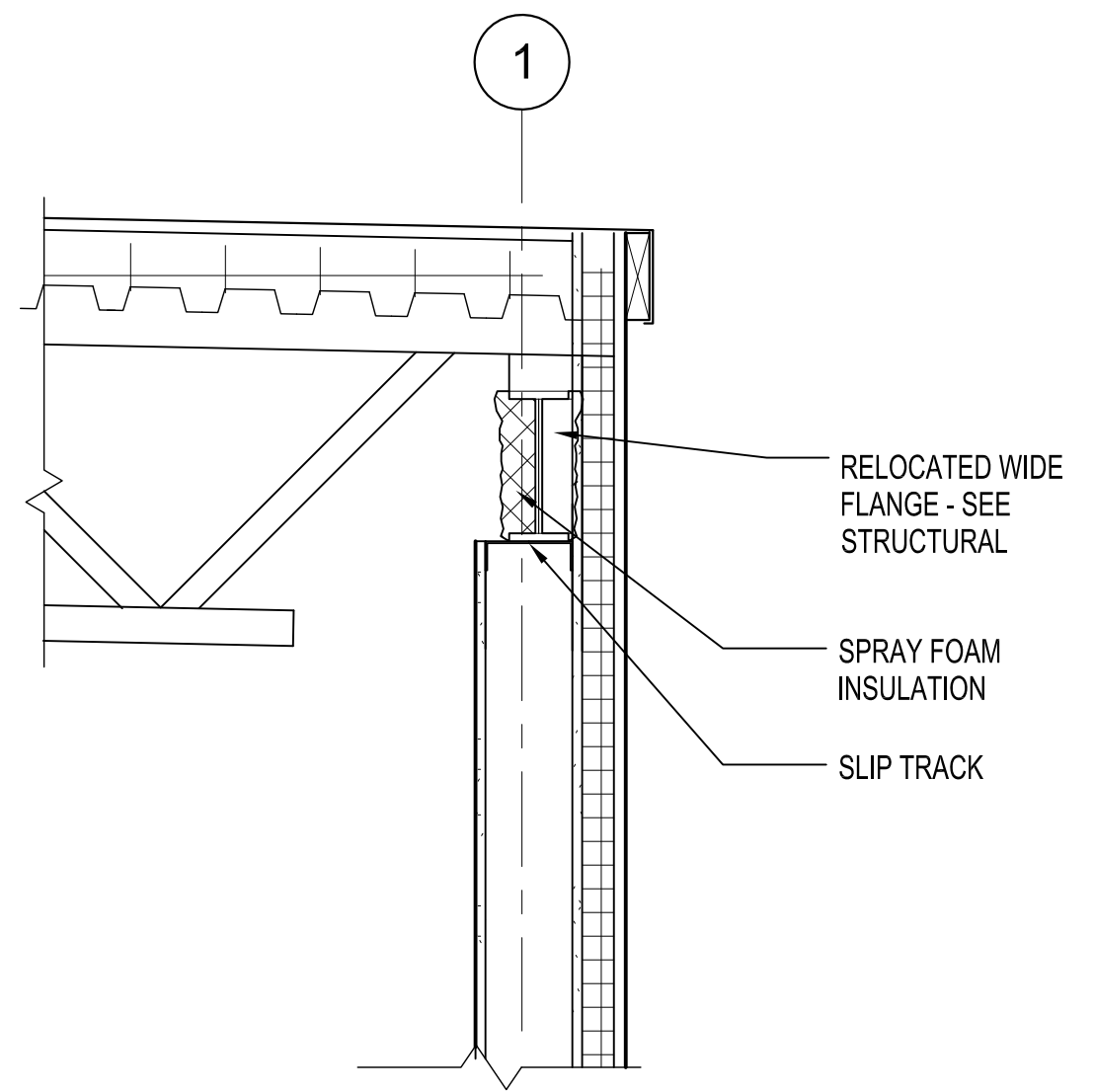
**1 | EAST ELEVATION**  
 1/8" = 1'-0"  
 10' 8' 4' 2' 0' 5' 10' 20'



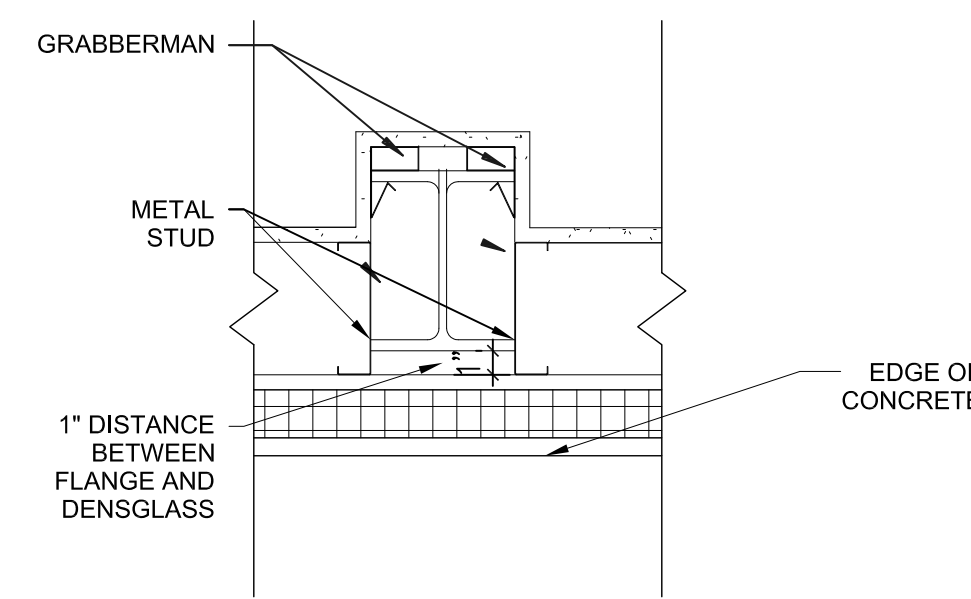
**2 | WEST ELEVATION**  
 1/8" = 1'-0"  
 10' 8' 4' 2' 0' 5' 10' 20'



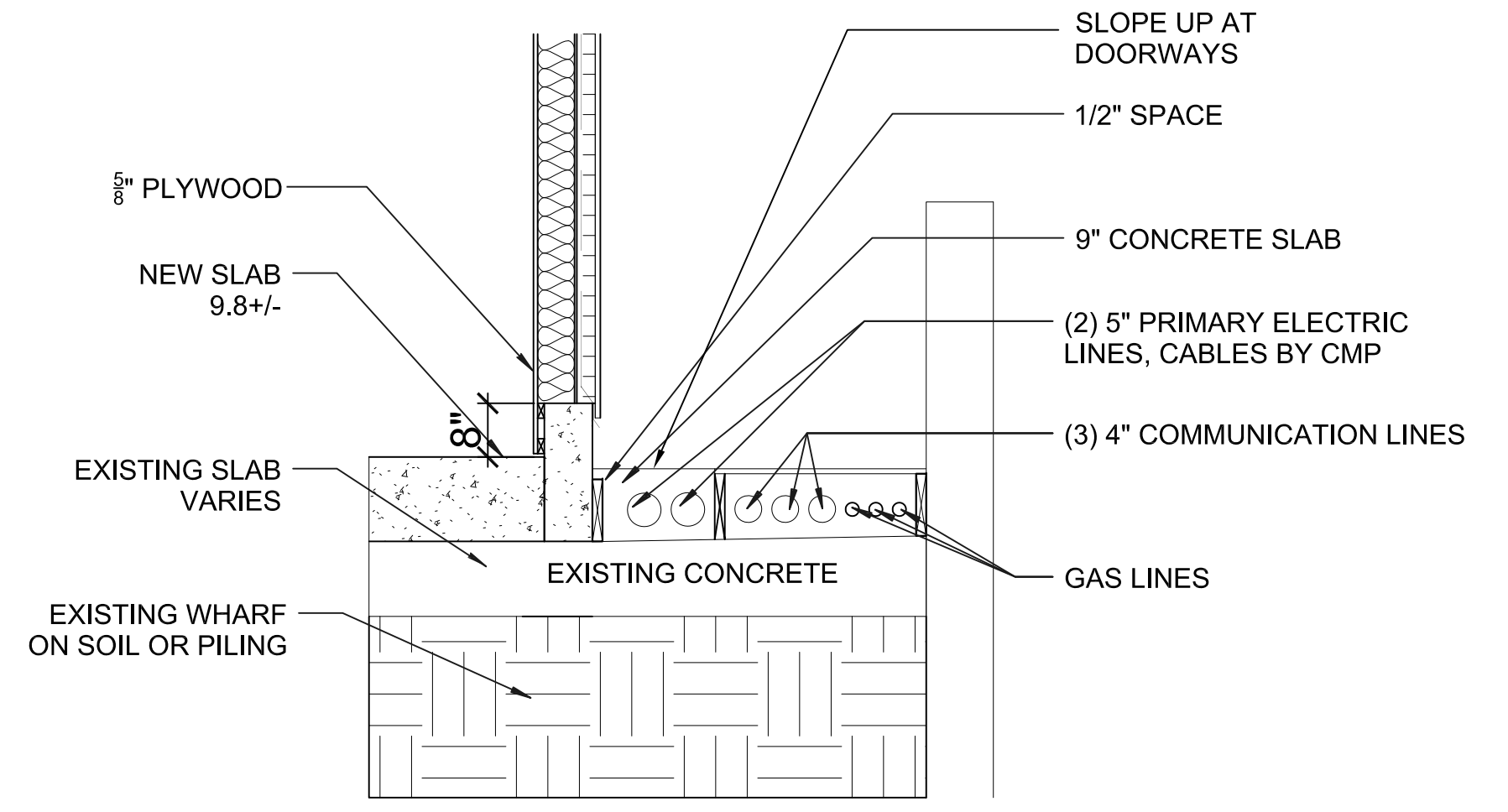
**3 | PARAPET DETAIL**  
 1" = 1'-0"  
 1' 6" 3" 0' 2'-6"



**4 | ROOF DETAIL**  
 1" = 1'-0"  
 1' 6" 3" 0' 2'-6"



**5 | TYPICAL COLUMN DETAIL**  
 1 1/2" = 1'-0"  
 6" 4" 2" 0' 1' 2'



**6 | UTILITIES**  
 1/2" = 1'-0"  
 2' 1' 6" 0'