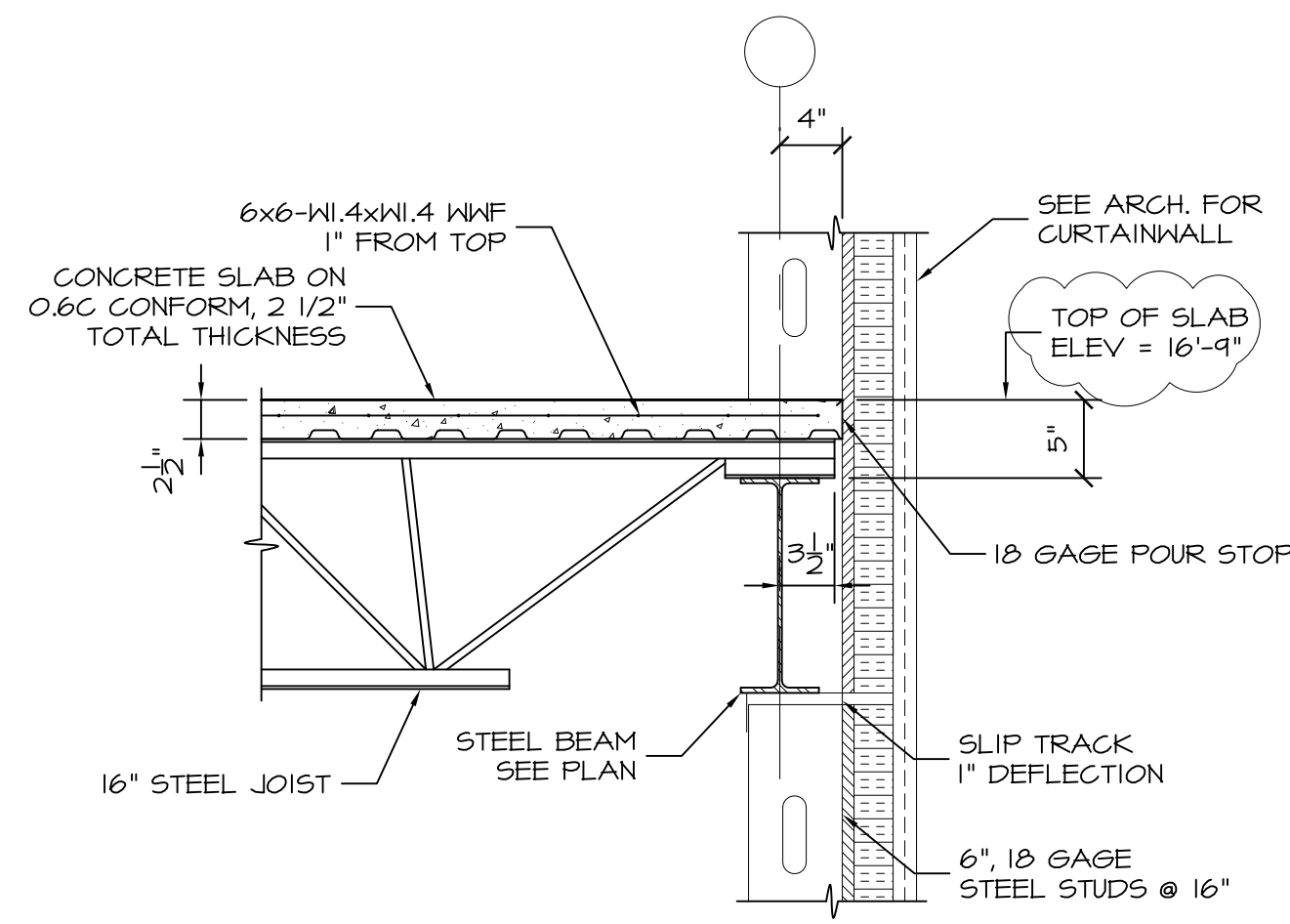
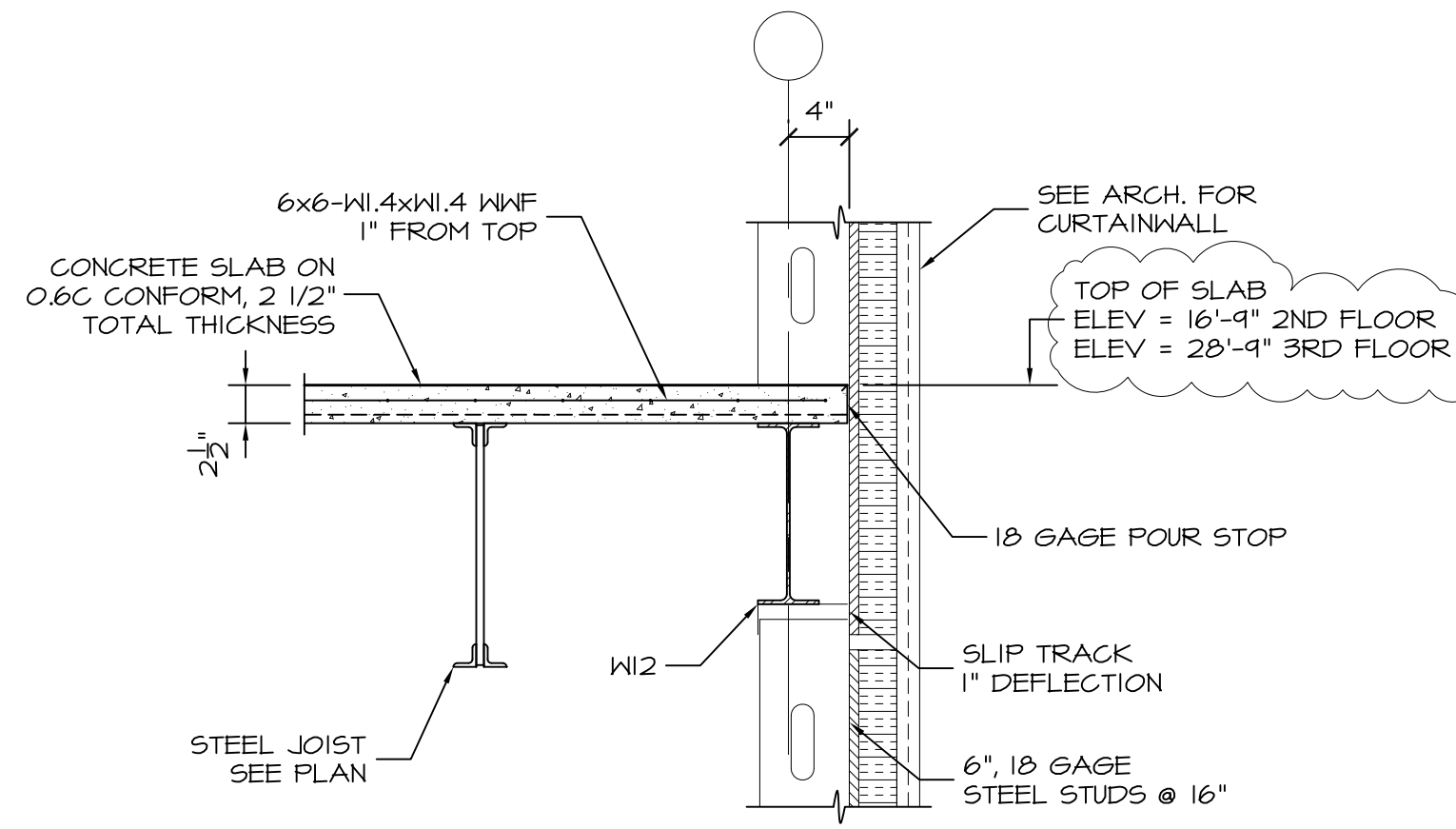


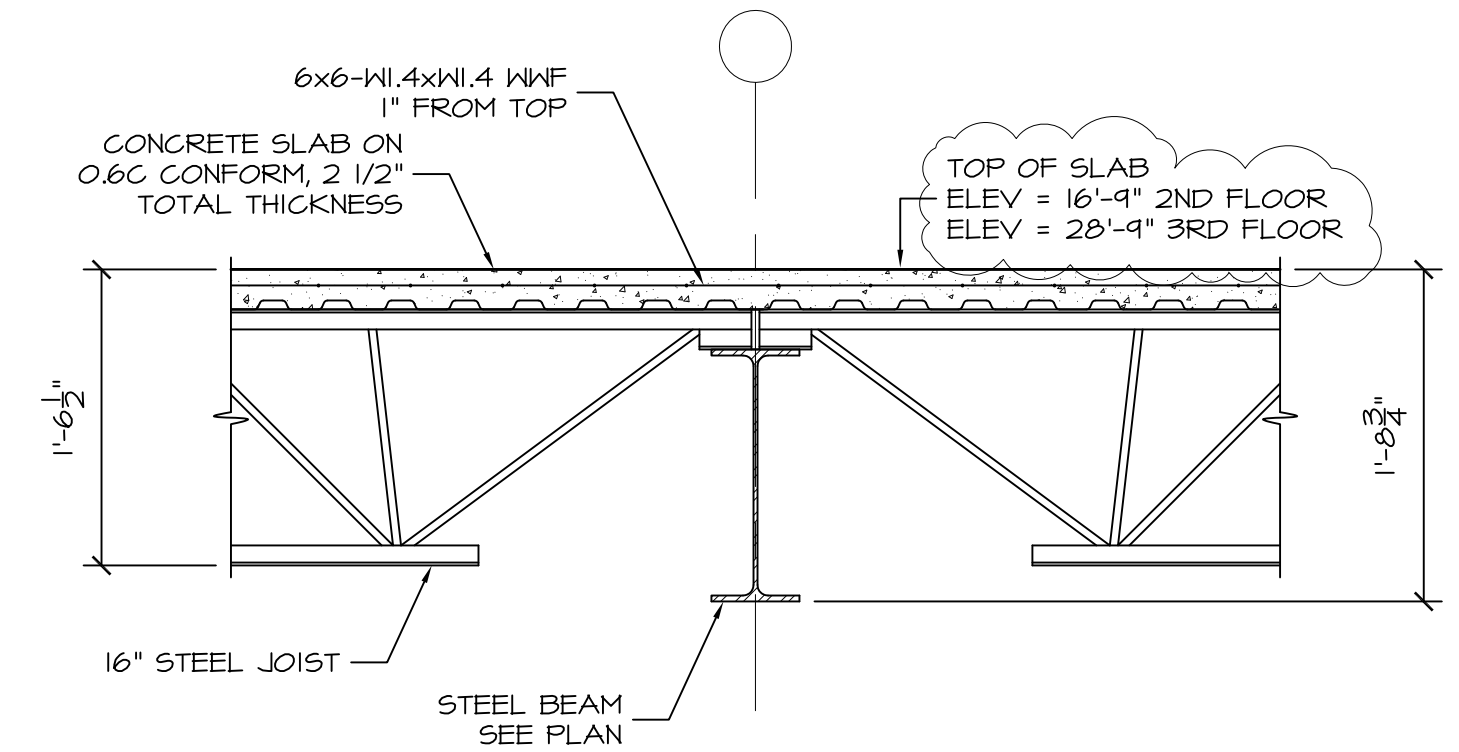
SECTION 1  
3/4"=1'-0" S1.01



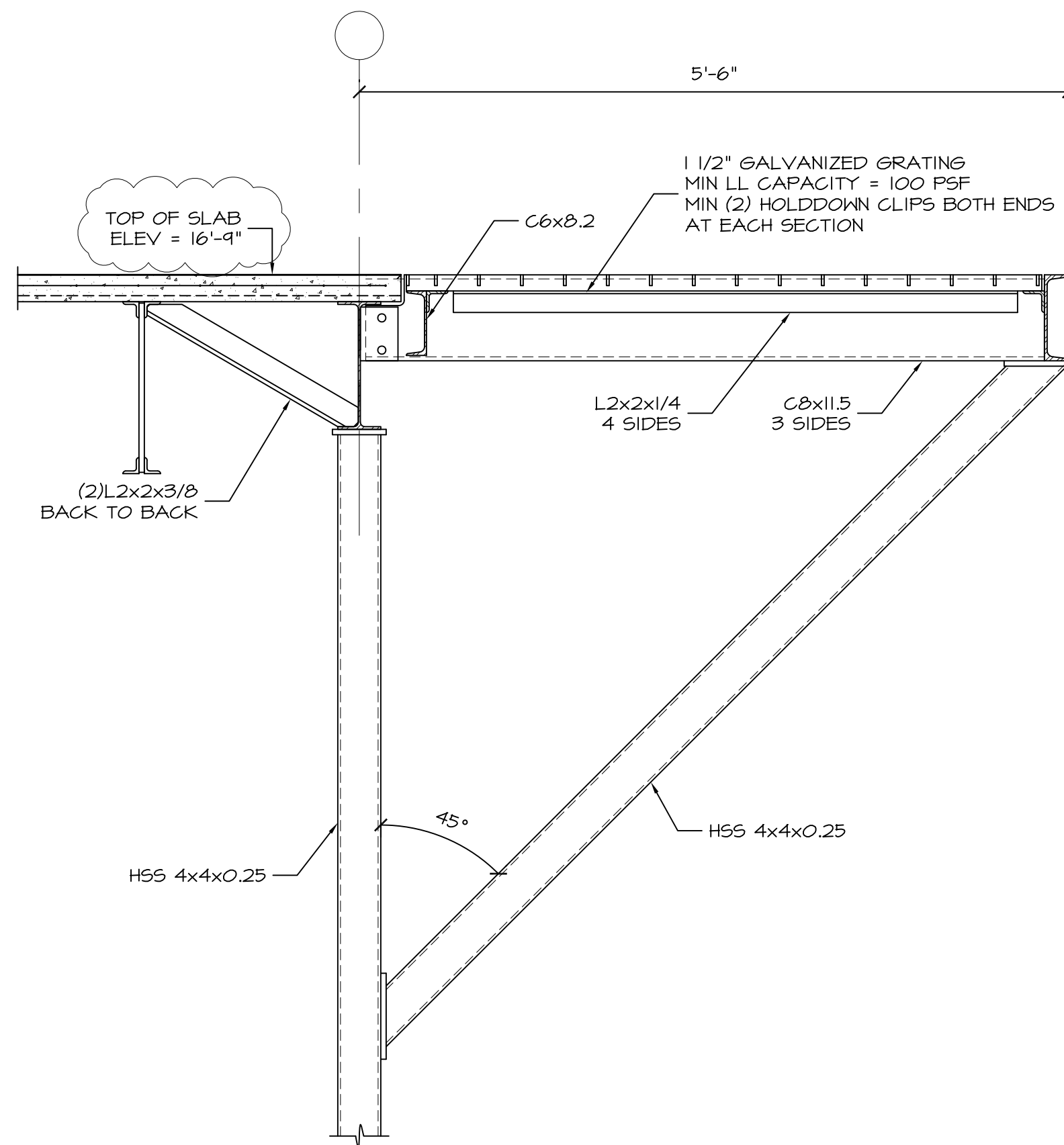
SECTION 2  
1"=1'-0" S1.02



SECTION 3  
1"=1'-0" S1.02

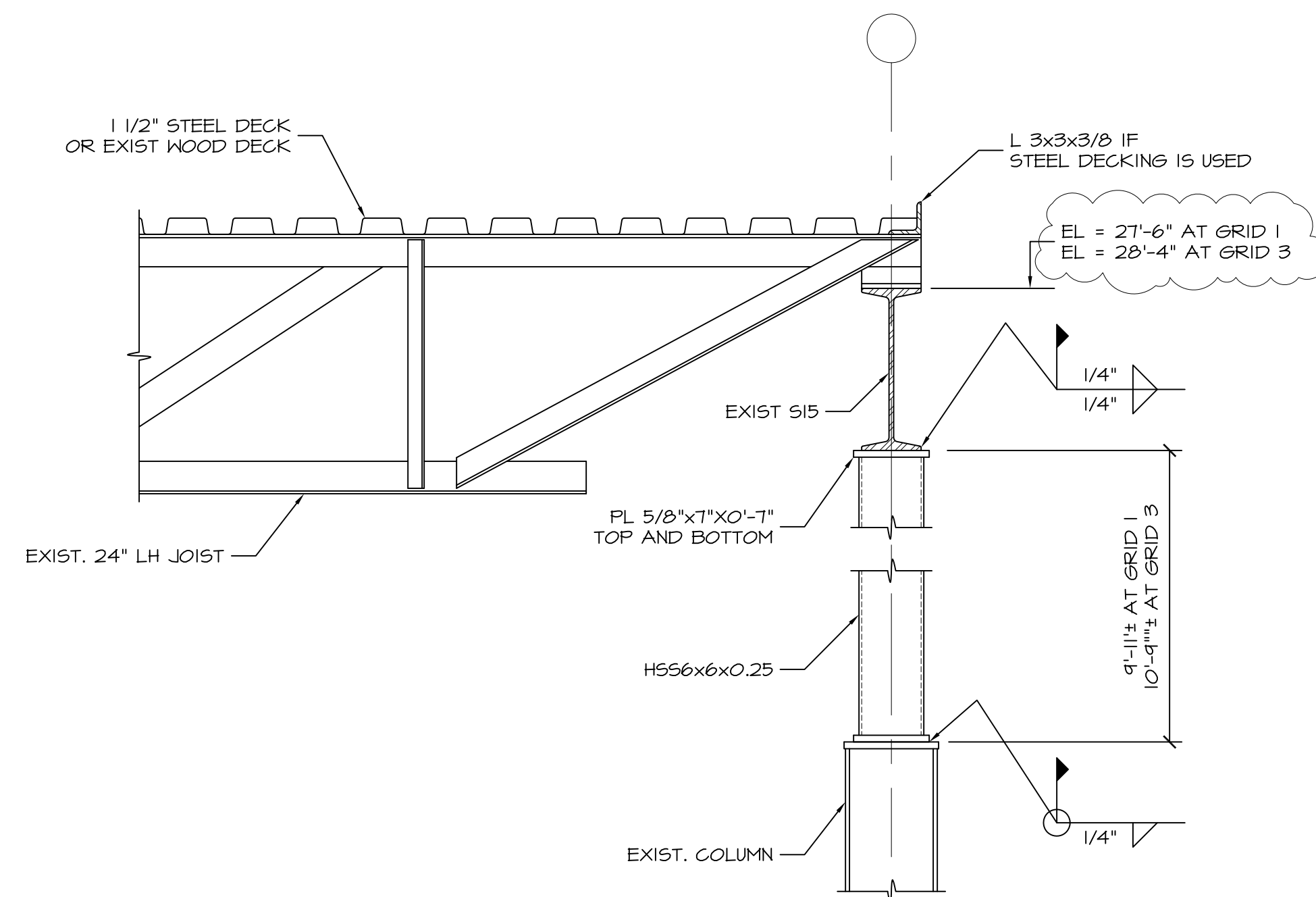


SECTION 4  
1"=1'-0" S1.02

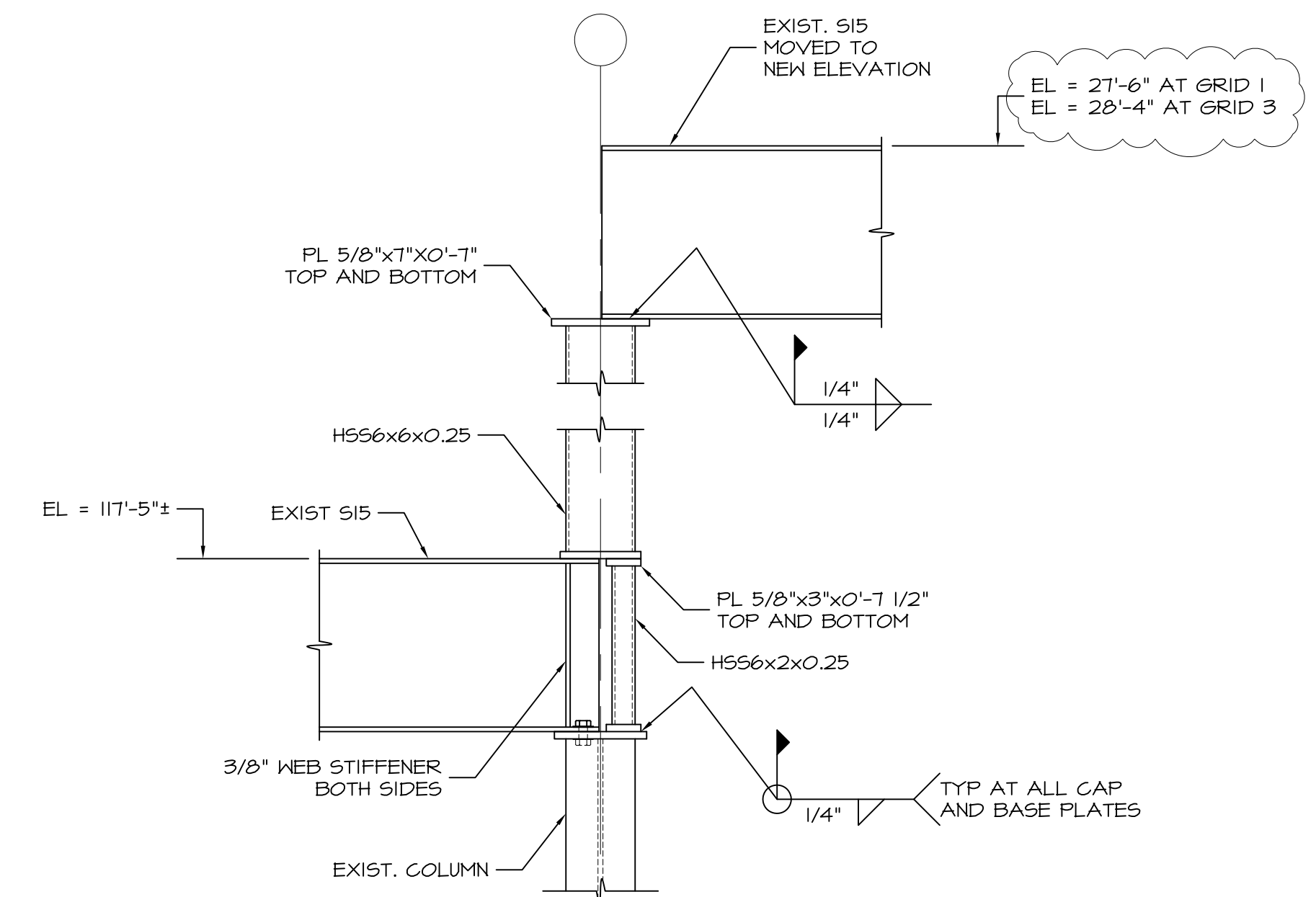


SECTION 5  
1"=1'-0" S1.02

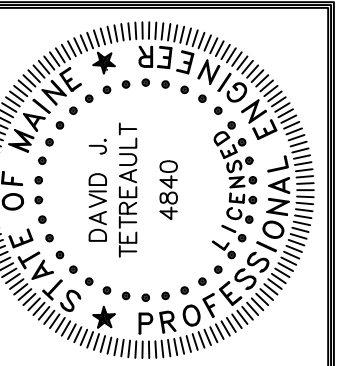
ALL EXTERIOR STEEL SHALL BE HOT-DIPPED GALVANIZED.  
SEE ARCHITECTURAL FOR HANDRAILS.  
SEE SECTION 3/54.01 FOR ADDITIONAL INFORMATION



SECTION 6  
1"=1'-0" S1.03



SECTION 7  
1"=1'-0" S1.03



Prepared For:  
**MAINE WHARF, LLC**  
P.O. Box 535  
BUXTON, ME 04093

Consulting Engineer:  
**STRUCTURAL DESIGN CONSULTING**  
22 Cabernet Drive  
Old Orchard Beach, ME 04064-4121  
Tel: 207.934.8038  
Fax: 207.934.8039

Architect:  
**ARCHETYPE architects**  
48 Union Wharf, Portland, Maine 04101  
(207) 772-6022 Fax (207) 772-4056

Project:  
**MAINE WHARF BUILDING 1**  
68 Commercial Street  
Portland, ME

Revisions:	Date	By
Phase 1 Permit & Const.	11/22/13	
Phase 2 Permit & Const.	12/04/13	

Date: 22 Nov 2013  
Scale: As Noted  
**STRUCTURAL SECTIONS AND DETAILS**

**S4.01**