

# DOOR SCHEDULE

## DOOR SCHEDULE ABBREVIATIONS

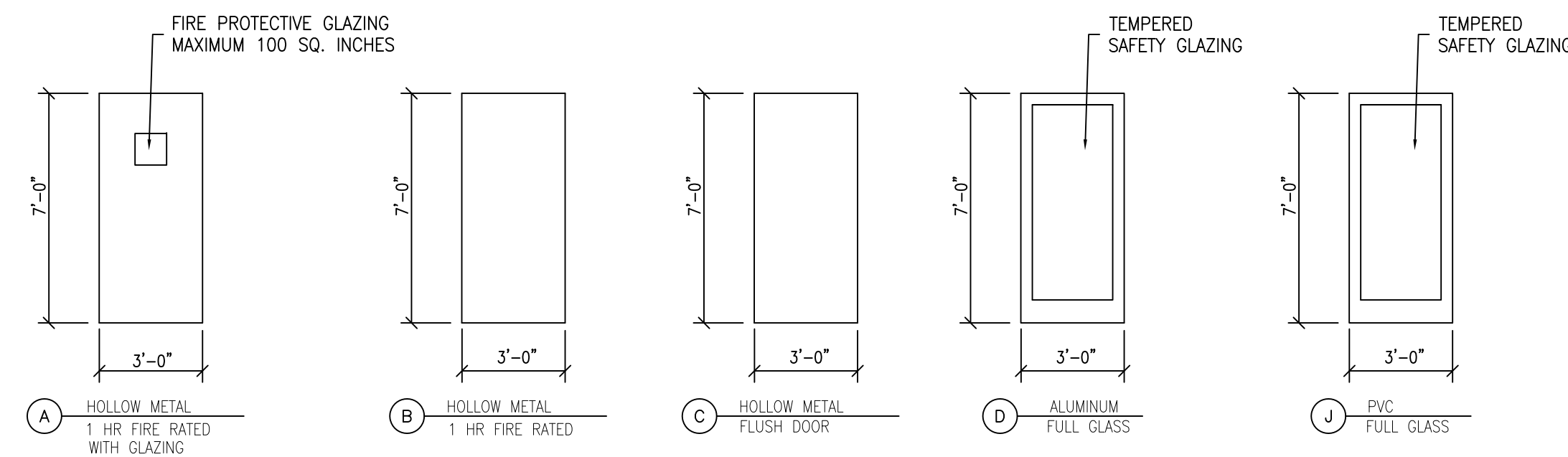
CLO.	CLOSER	HM	HOLLOW METAL	S.C.	SOLID CORE HARDBOARD
DSI	DOOR SILENCERS	INS	INSULATED	S.H.	SPRING HINGE
D.S.	DOOR SWEEP (SOUNDPROOFING)	K	KICKPLATE (PUSH SIDE)	S.J.	SPLIT JAMB (WOOD)
DST	DOOR STOP	KL	KEY LOCK	TEMP	TEMPERED SAFETY GLAZING
EHO	ELECTRO. HOLD OPENER	MTL	METAL	TL	THUMB LATCH
ES	ELECTRIC STRIKE	NO	NUMBER	THK	THICKNESS
F.J.P.	FINGER JOINTED PRIMED	PS	PASSAGE SET	UC	UNDERCUT
FR	FIRE RATED	P.H.	FIRE EXIT PANIC HARDWARE (NOTE 3)	WD	WOOD (SOLID)
HA	HANDICAP ACCESSIBLE	P.P.	PUSH PADDLE	WG	WIRE GLASS
HC	HOLLOW CORE HARDBOARD	PVS	PRIVACY SET	WS	WEATHERSTRIPPING
HDWE	HARDWARE	S.	STEEL	VIF	VERIFY IN FIELD

## DOORS

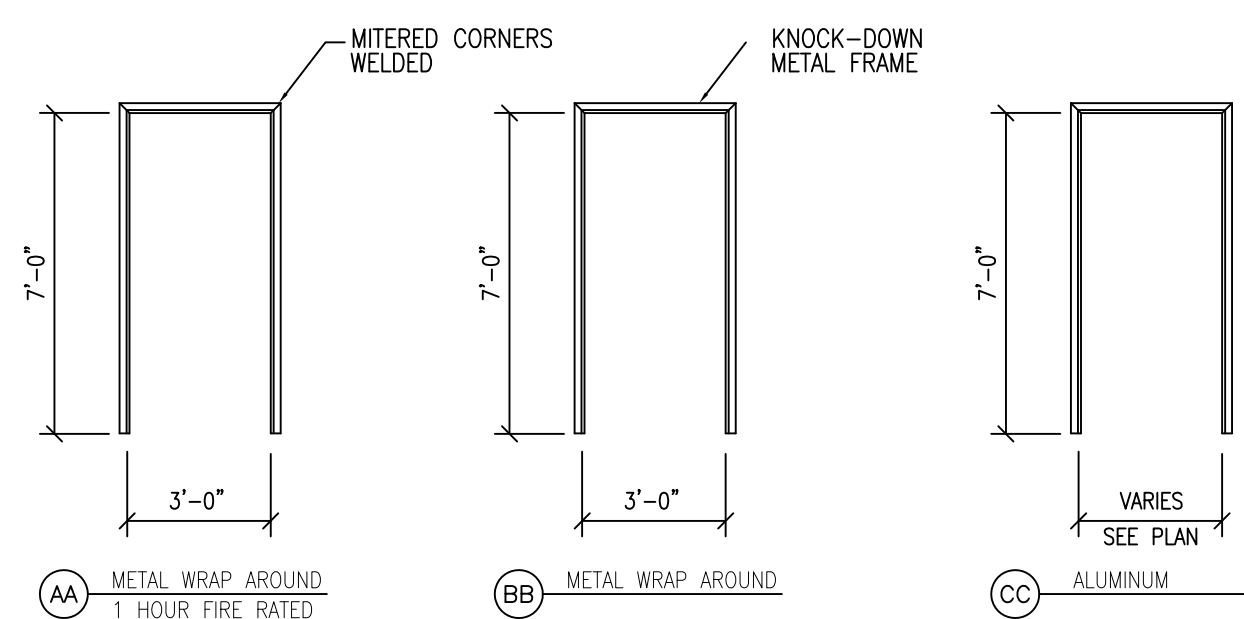
MARK	TYPE	SIZE	THK.	F.R.	HDWE SET	MAT.	GLASS		REMARKS	FRAME TYPES		THRESHOLD			REMARKS			
							SIZE	TYPE		TYPE	MAT.	F.R.	DETAILS					
													HEAD	JAMB		MAT.	DETAIL	
100 SQ. IN.	FIRE PROTECTIVE GLAZING					SILL	HT.											
101	A	3'-0" x 7'-0"	1 3/4"	1 HOUR	FIRE EXIT PANIC HDWRE	METAL	100 SQ. IN.	FIRE PROTECTIVE GLAZING	FR, HA, CLO, PH, DST, DSI, DS	AA	METAL	1 HOUR	H1	J1	-	-	-	NOTE 3
102	D	3'-0" x 7'-0"	-	-	FIRE EXIT PANIC HDWRE	ALUM	FULL	INS GLASS	HA, CLO, PH, DSI, DS, TEMP, WS	CC	ALUM	-	-	-	ALUM	-	1/2" MAX	NOTE 3
103	D	3'-0" x 7'-0"	-	-	FIRE EXIT PANIC HDWRE	ALUM	FULL	INS GLASS	HA, CLO, PH, DSI, DS, TEMP, WS	CC	ALUM	-	-	-	ALUM	-	1/2" MAX	NOTE 3
201	A	3'-0" x 7'-0"	1 3/4"	1 HOUR	FIRE EXIT PANIC HDWRE	METAL	100 SQ. IN.	FIRE PROTECTIVE GLAZING	FR, HA, CLO, PH, DST, DSI, DS	AA	METAL	1 HOUR	H1	J1	-	-	-	NOTE 3
202	A	3'-0" x 7'-0"	1 3/4"	1 HOUR	FIRE EXIT PANIC HDWRE	METAL	100 SQ. IN.	FIRE PROTECTIVE GLAZING	FR, HA, CLO, PH, DST, DSI, DS	AA	METAL	1 HOUR	H1	J1	-	-	-	NOTE 3
301	A	3'-0" x 7'-0"	1 3/4"	1 HOUR	FIRE EXIT PANIC HDWRE	METAL	100 SQ. IN.	FIRE PROTECTIVE GLAZING	FR, HA, CLO, PH, DST, DSI, DS	AA	METAL	1 HOUR	H1	J1	-	-	-	NOTE 3
302	A	3'-0" x 7'-0"	1 3/4"	1 HOUR	FIRE EXIT PANIC HDWRE	METAL	100 SQ. IN.	FIRE PROTECTIVE GLAZING	FR, HA, CLO, PH, DST, DSI, DS	AA	METAL	1 HOUR	H1	J1	-	-	-	NOTE 3
303	J	3'-0" x 7'-0"	-	-	LEVER	PVC	FULL	INS GLASS	HA, CLO, DSI, WS, TEMP, KL	BB	METAL	-	-	-	-	-	-	

### NOTES

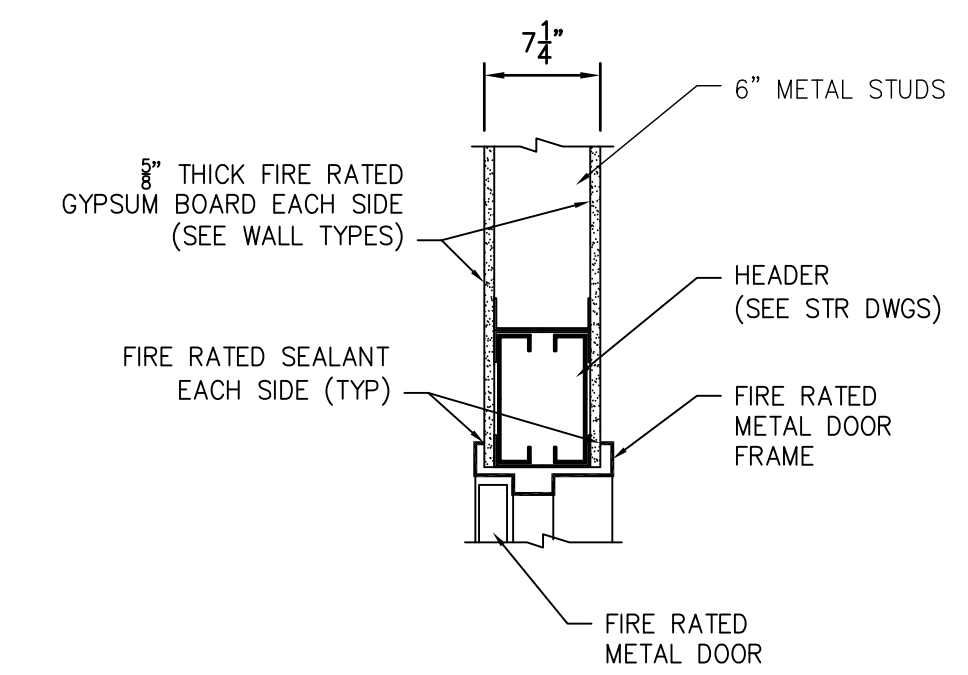
- SPECIFIC SELECTION OF DOOR TYPES, THICKNESS, VENEER, HINGES, LEVER HANDLES, FIRE EXIT PANIC BARS, PUSH PADS, WOOD TRIM AND OTHER RELATED DOOR HARDWARE BY OWNER/G.C. (MAINTAIN FIRE RATINGS REQUIRED FOR DOORS, FRAMES AND HARDWARE DEVICES INDICATED IN THIS SCHEDULE, TYP)
- ALL NON-FIRE RATED DOORS SHALL BE EQUIPPED WITH LEVER TYPE HANDLES (UON) AND SHALL BE ADA COMPLIANT. OPERABLE PARTS SHALL BE 34" MIN. TO 48" MAX. ABOVE FINISHED FLOOR AND OPERATE WITH ONE HAND AND SHALL NOT REQUIRE TIGHT GRASPING, PINCHING, OR TWISTING OF THE WRIST. THE FORCE REQUIRED TO ACTIVATE OPERABLE PARTS SHALL BE 5 POUNDS (22.2N) MAXIMUM.
  - o) DOOR CLOSERS SHALL BE ADJUSTED SO THAT FROM AN OPEN POSITION OF 90 DEGREES, THE TIME REQUIRED TO MOVE THE DOOR TO A POSITION OF 12 DEGREES FROM THE LATCH IS SECONDS, MINIMUM
- LABELED FIRE DOORS OR EGRESS EXIT DOORS SHALL BE EQUIPPED WITH FIRE EXIT PANIC HARDWARE CONSISTING OF LISTED FIRE LABEL (IF APPLICABLE) WITH LATCHING MECHANISM. REQUIRED FIRE EXIT PANIC HARDWARE SHALL NOT BE EQUIPPED WITH ANY LOCKING DEVICE, SET SCREW, OR OTHER ARRANGEMENT THAT PREVENTS THE RELEASE OF THE LATCH WHEN PRESSURE IS APPLIED TO THE RELEASING DEVICE.



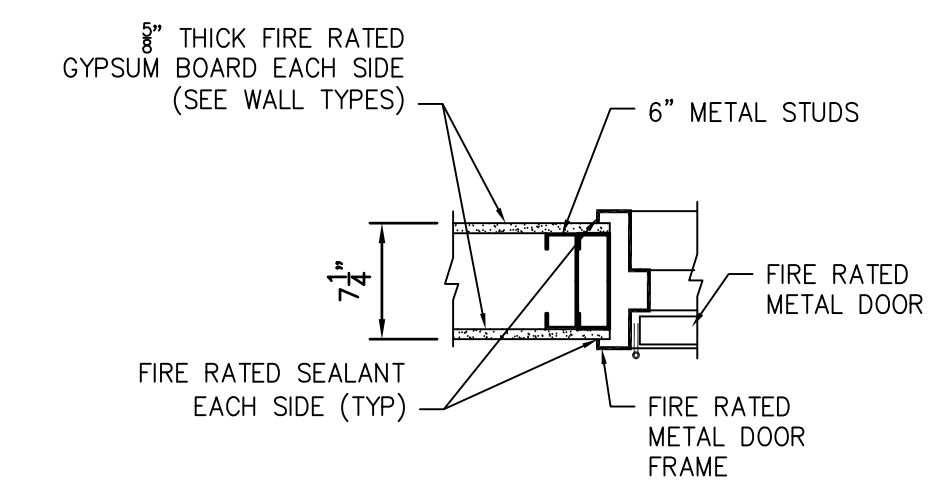
## DOOR TYPES



## FRAME TYPES



H1 METAL WRAP AROUND  
1 HOUR FIRE RATED



J1 METAL WRAP AROUND  
1 HOUR FIRE RATED

## HEAD & JAMB TYPES

### NOTES

- DESIGN OF HEADS, JAMBS ETC. - SEE STRUCTURAL DRAWINGS
- G.C. VERIFY ACTUAL THICKNESS OF EXISTING WALLS IN FIELD PRIOR TO ORDERING OR FABRICATION.
- WALL TYPES-SHEET A



MAINE WHARF LLC  
72 COMMERCIAL STREET  
PORTLAND, ME 04101

Prepared For:

Consulting Engineer:

**ARCHETYPE** architects  
48 Union Wharf Portland, Maine 04101  
(207) 772-6022 Fax (207) 772-4056

Architect:

MAINE WHARF  
68 COMMERCIAL STREET  
PORTLAND, MAINE

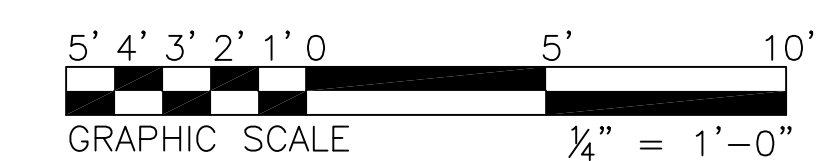
Project:

Revisions:  
PHASE 2 PERMIT AND CONST.  
12/04/13

Scale:  
AS INDICATED

Date:  
04 Dec 2013

PHASE 2  
DOOR SCHEDULE



A4.04