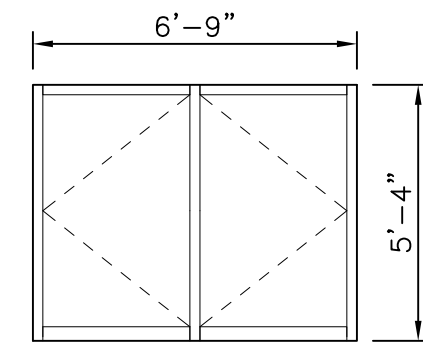
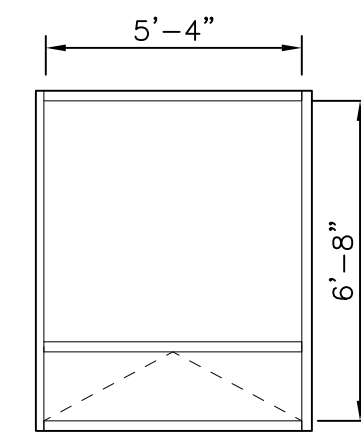


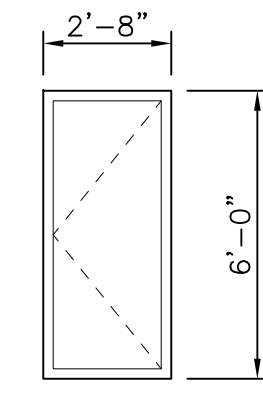
* WINDOW SCHEDULE *



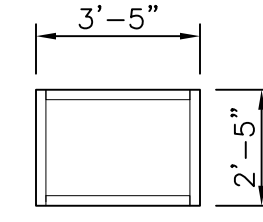
TYPE **B**
ALUM. CASEMENT WINDOW
CENTER MULLION
(FIRST FLOOR)



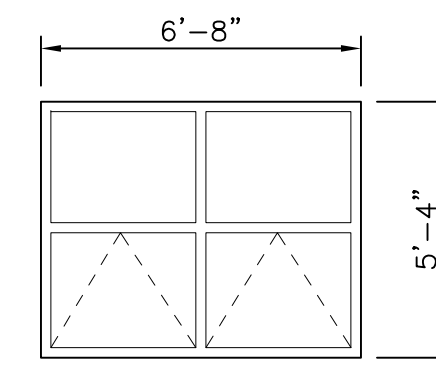
TYPE **C**
ALUM. FIXED OVER AWNING
WINDOW
(FIRST FLOOR)



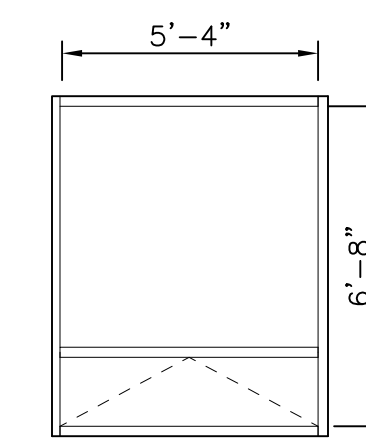
TYPE **D**
ALUM. CASEMENT WINDOW
(FIRST FLOOR)



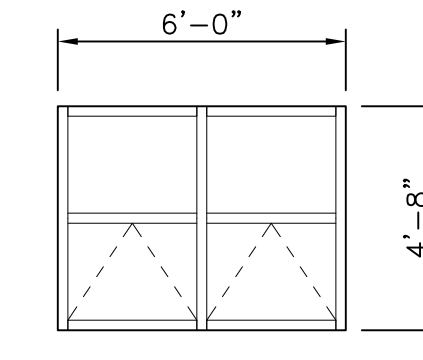
TYPE **E**
ALUM. FIXED WINDOW
(FIRST FLOOR)



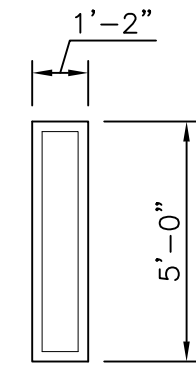
TYPE **G**
PVC FIXED OVER AWNING WINDOW
CENTER MULLION



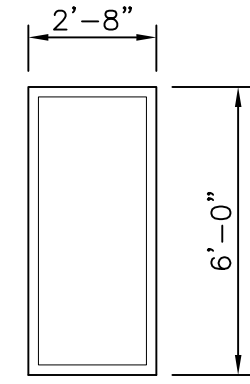
TYPE **H**
PVC FIXED OVER AWNING
WINDOW



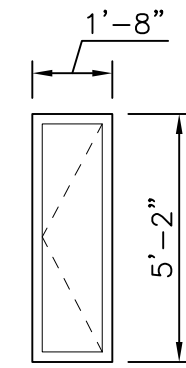
TYPE **I**
PVC FIXED OVER AWNING WINDOW
CENTER MULLION



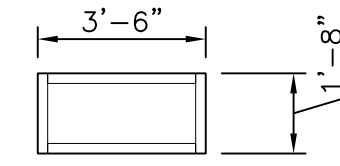
TYPE **J**
PVC FIXED WINDOW



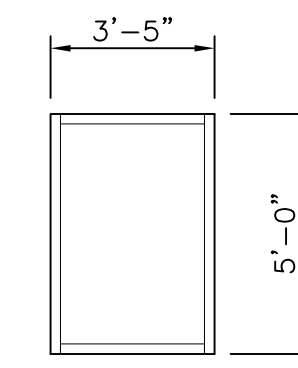
TYPE **O**
ALUM. FIXED WINDOW
(FIRST FLOOR)



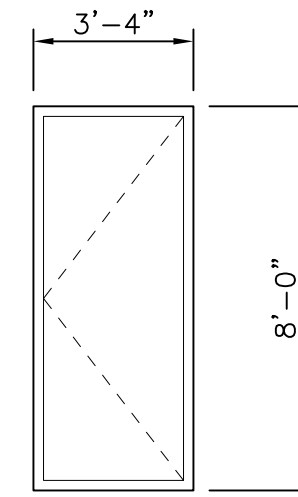
TYPE **P**
ALUM. CASEMENT WINDOW
(FIRST FLOOR)



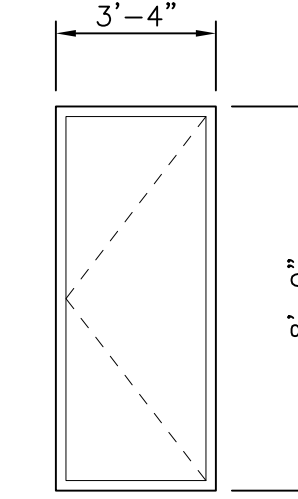
TYPE **Q**
ALUM. FIXED WINDOW
(FIRST FLOOR)



TYPE **R**
ALUM. FIXED WINDOW
(FIRST FLOOR)

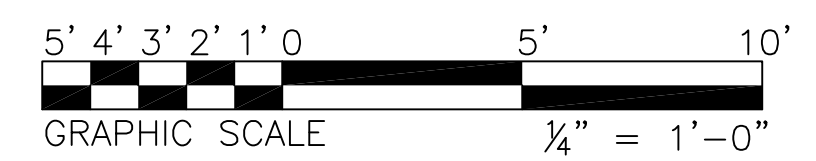


TYPE **S**
ALUM. CASEMENT WINDOW
(FIRST FLOOR)



TYPE **X**
PVC CASEMENT WINDOW

NOTE:
ALL WINDOW OPENINGS
MEASUREMENTS TO BE
FIELD VERIFIED.



Prepared For:
MAINE WHARF LLC
72 COMMERCIAL STREET
PORTLAND, ME 04101

Consulting Engineer:

Architect:
ARCHETYPE architects
48 Union Wharf Portland, Maine 04101
(207) 772-6022 Fax (207) 772-4056

Project:
MAINE WHARF
68 COMMERCIAL STREET
PORTLAND, MAINE

Revisions:
PHASE 2 PERMIT AND CONST.
12/04/13

Date: 04 Dec 2013
Scale: AS INDICATED
**PHASE 2
WINDOW SCHEDULE**

A4.03