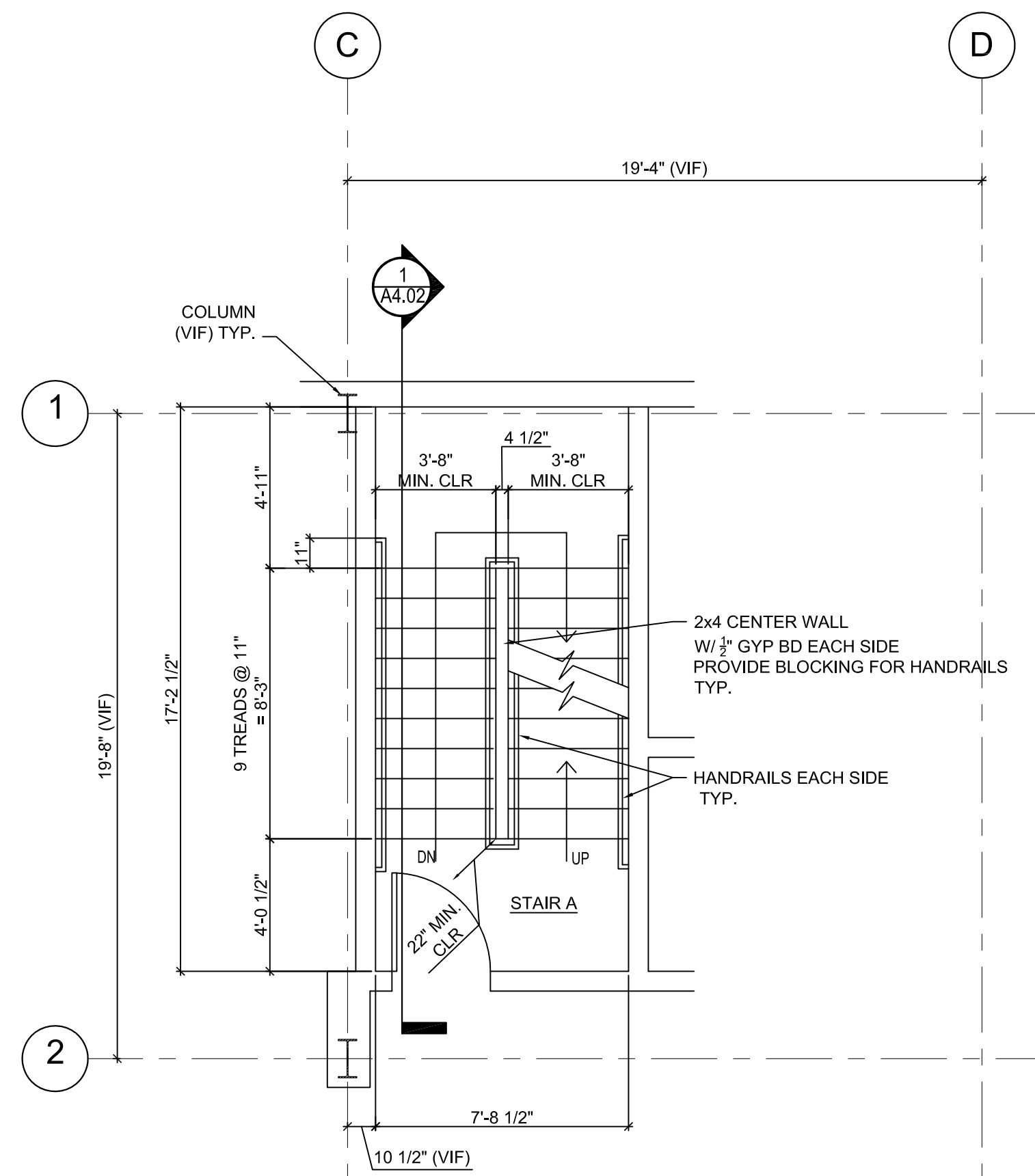
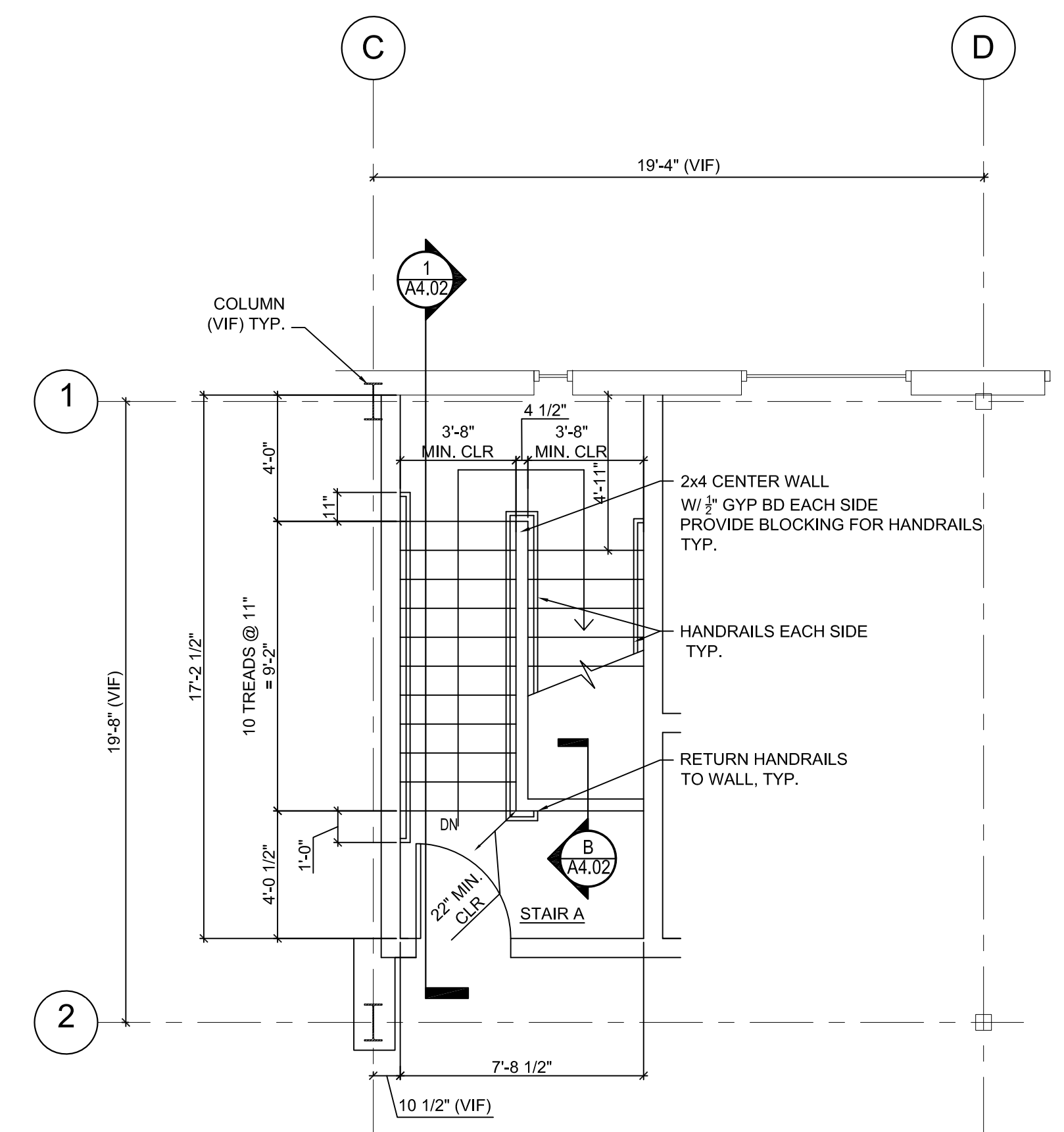


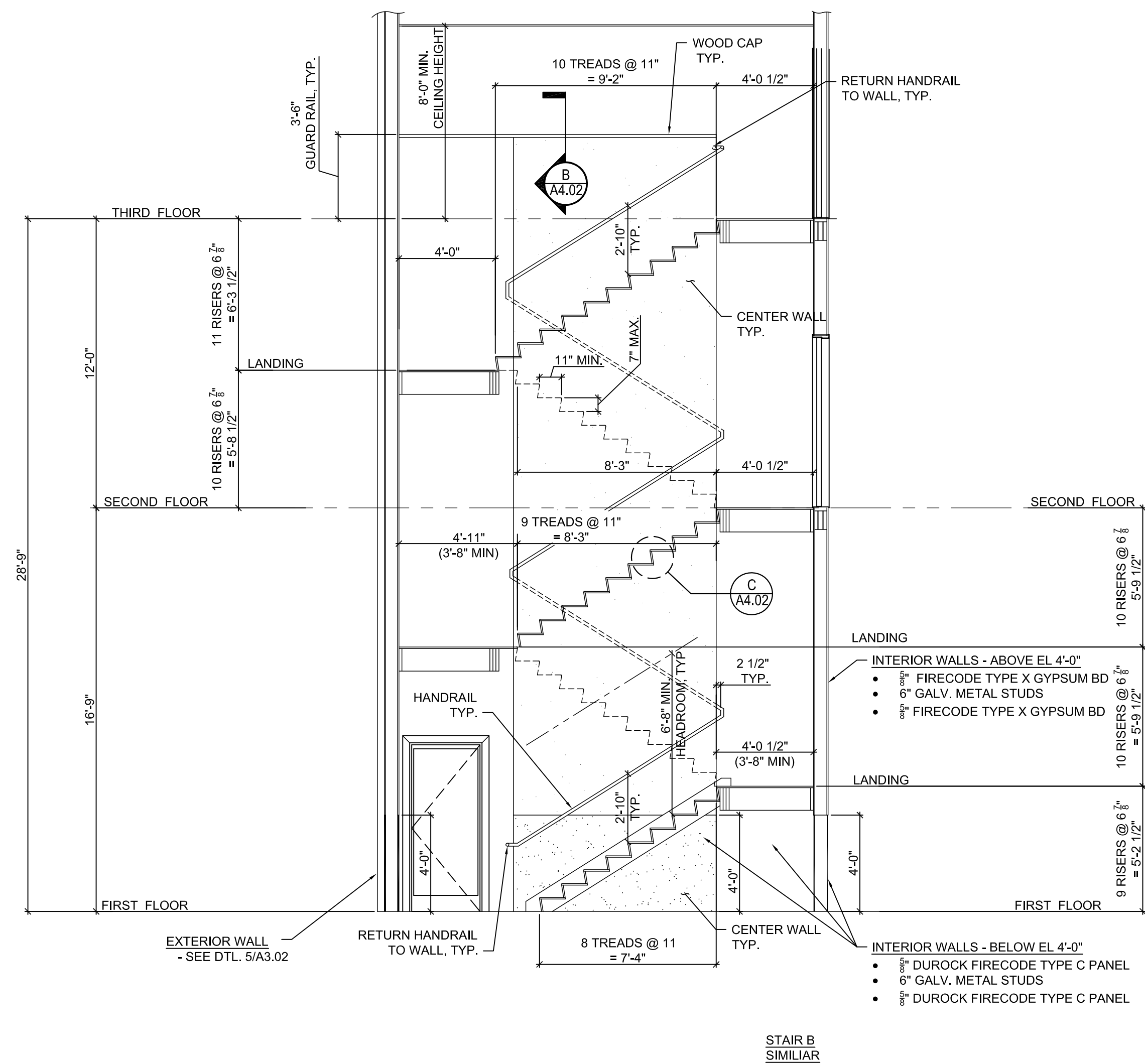
2 | STAIR A - FIRST FLOOR PLAN  
SCALE: 1/4"=1'-0"  
5' 4' 3' 2' 1' 0 5' 10'



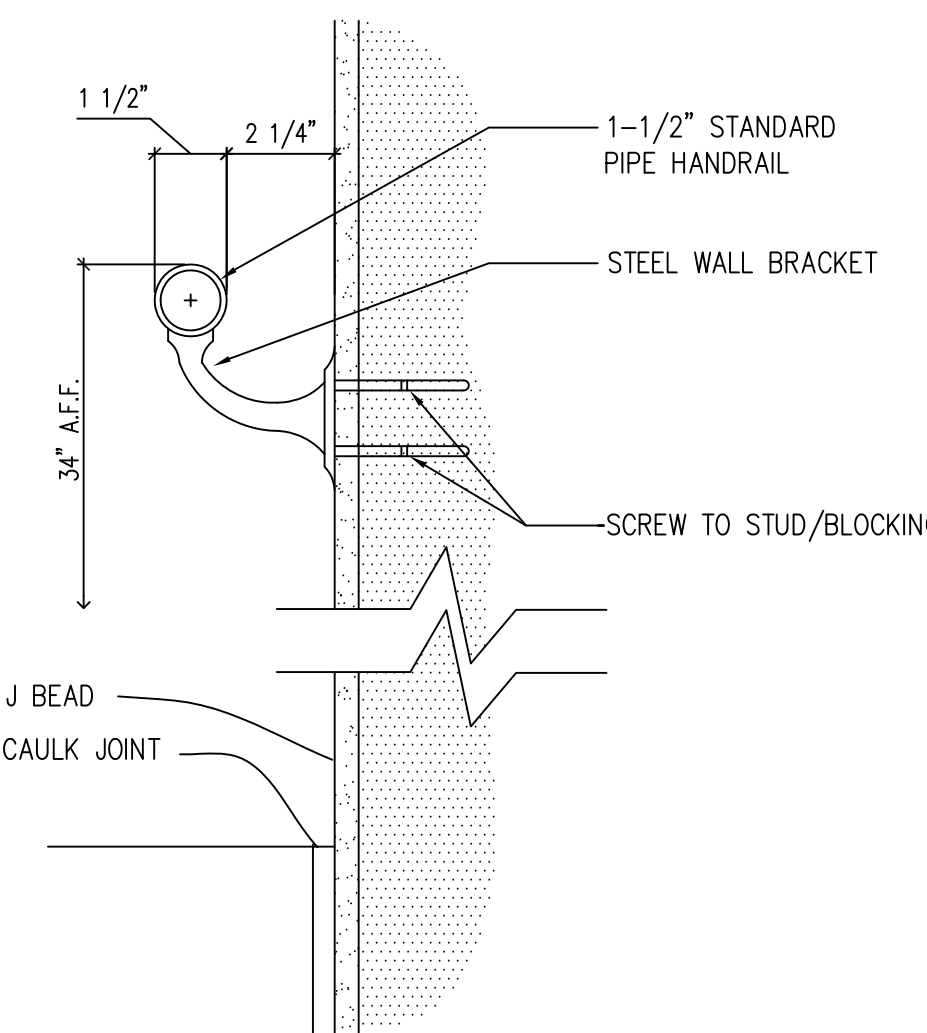
3 | STAIR A - SECOND FLOOR PLAN  
SCALE: 1/4"=1'-0"  
5' 4' 3' 2' 1' 0 5' 10'



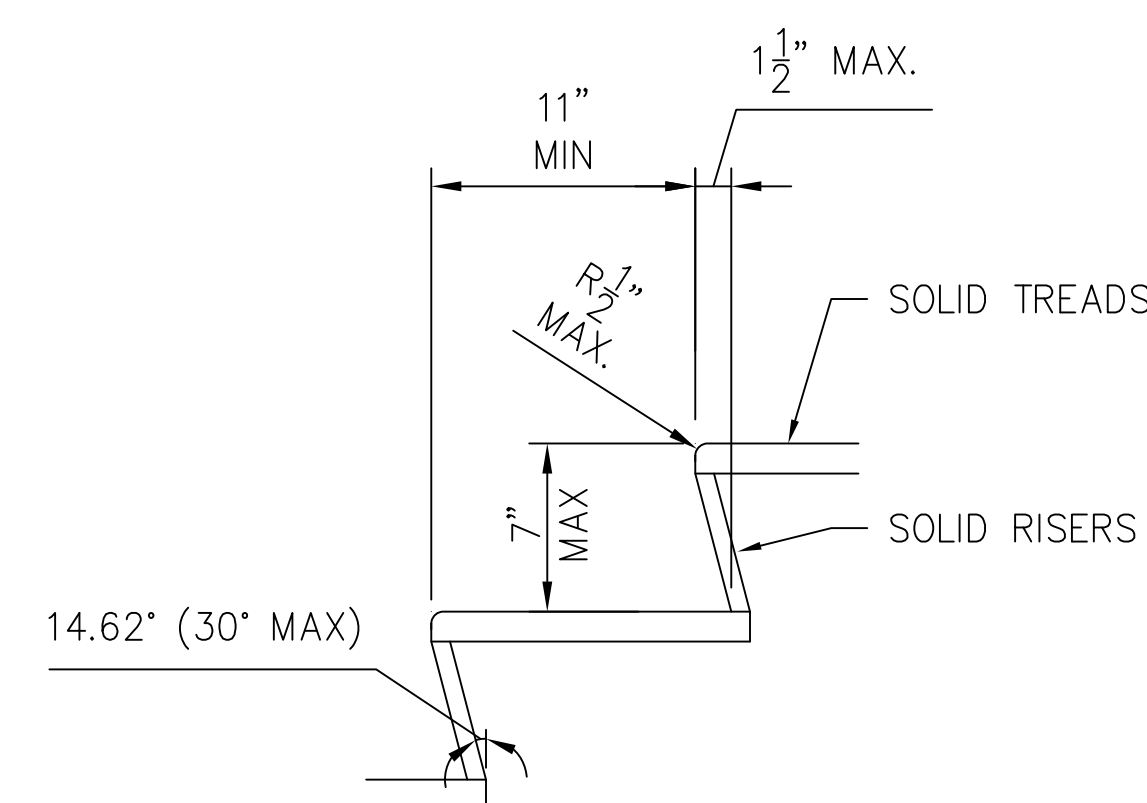
4 | STAIR A - THIRD FLOOR PLAN  
SCALE: 1/4"=1'-0"  
5' 4' 3' 2' 1' 0 5' 10'



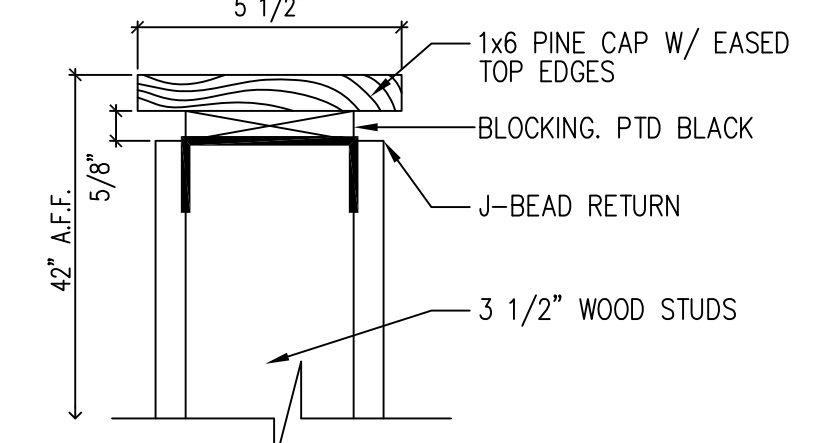
1 | STAIR A - SECTION  
SCALE: 1/4"=1'-0"  
5' 4' 3' 2' 1' 0 5' 10'



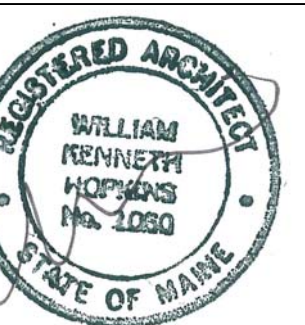
5 | DETAIL SECTION  
SCALE: 3/8"=1'-0"  
3" 2" 1" 0 3" = 1'-0"



6 | DETAIL SECTION  
SCALE: 1 1/2"=1'-0"  
6" 4" 2" 0 1' 2'



7 | STAIR A - SECTION  
SCALE: 3/8"=1'-0"  
3" 2" 1" 0 3" = 1'-0"



Prepared For:  
**MAINE WHARF LLC**  
72 COMMERCIAL STREET  
PORTLAND, ME 04101

Consulting Engineer:  
**ARCHETYPE architects**  
48 Union Wharf Portland, Maine 04101  
(207) 772-6022 Fax (207) 772-4056

Project:  
**MAINE WHARF**  
68 COMMERCIAL STREET  
PORTLAND, MAINE

Revisions:	PHASE 2 PERMIT AND CONST.
12/04/13	

Scale:  
AS INDICATED

Date:  
04 Dec 2013

**A4.01**