

Prepared For:
MAINE WHARF LLC
72 COMMERCIAL STREET
PORTLAND, ME 04101

Consulting Engineer:

Architect:
ARCHETYPE Architects
48 Union Wharf Portland, Maine 04101
(207) 772-6022 Fax (207) 772-4056

Project:
MAINE WHARF
68 COMMERCIAL STREET
PORTLAND, MAINE

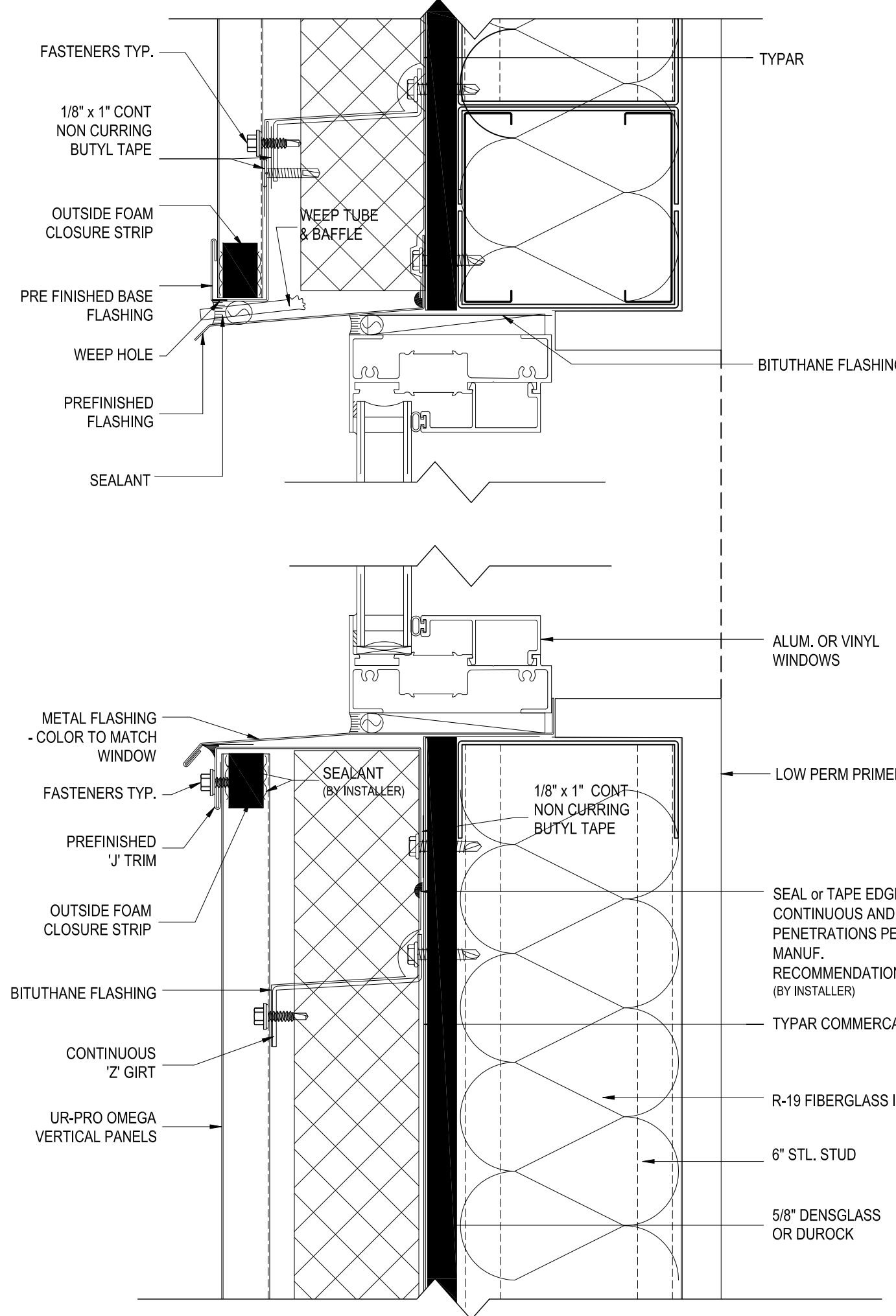
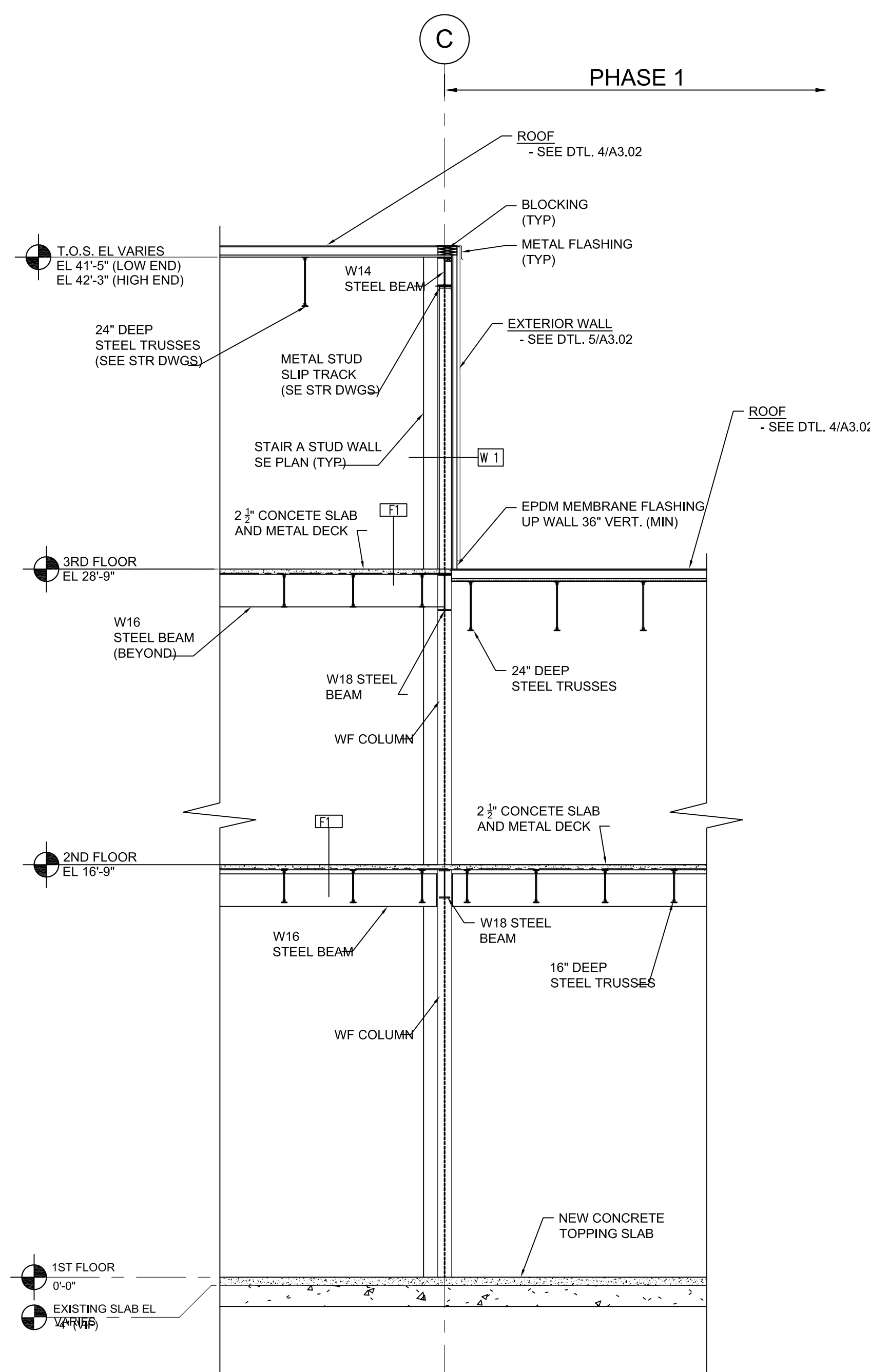
Revisions:
PHASE 2 PERMIT AND CONST.
12/04/13

Scale:
AS INDICATED

Date:
04 Dec 2013

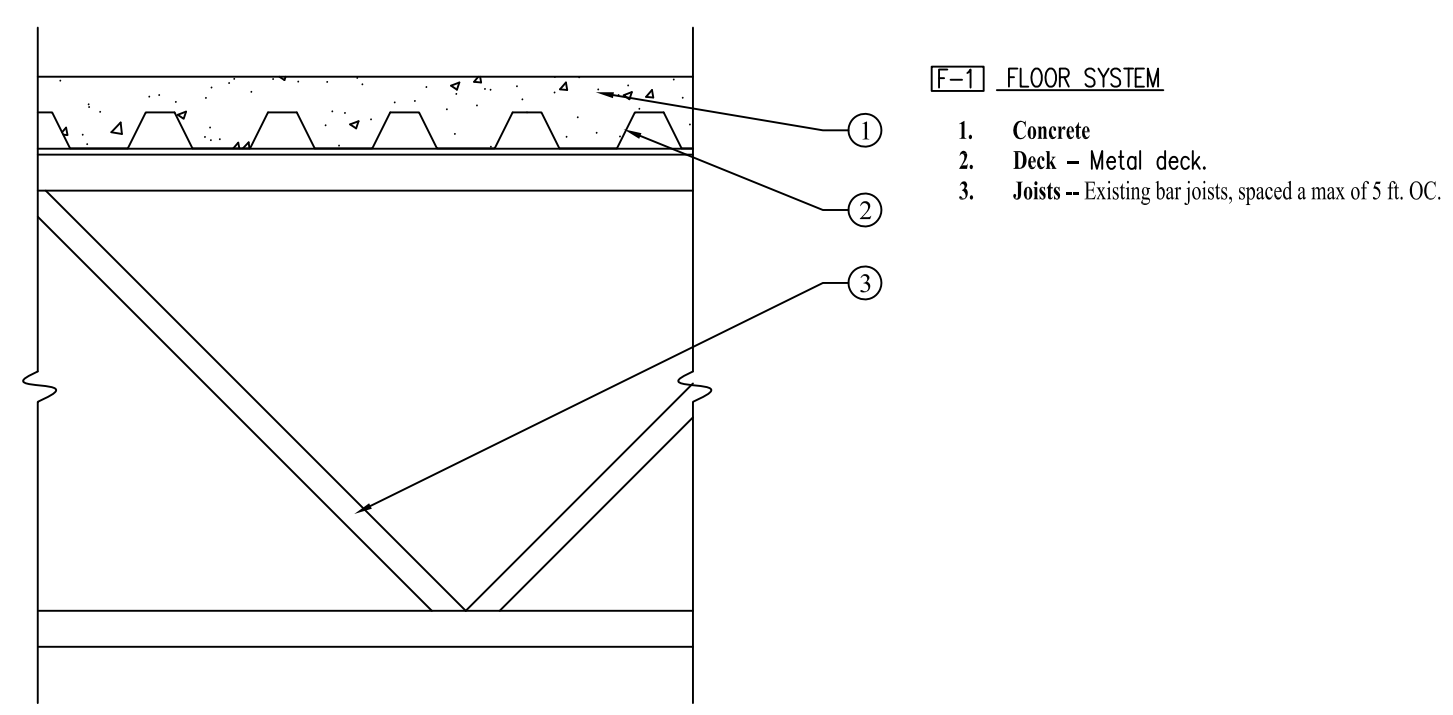
PHASE 2 SECTIONS

A3.02

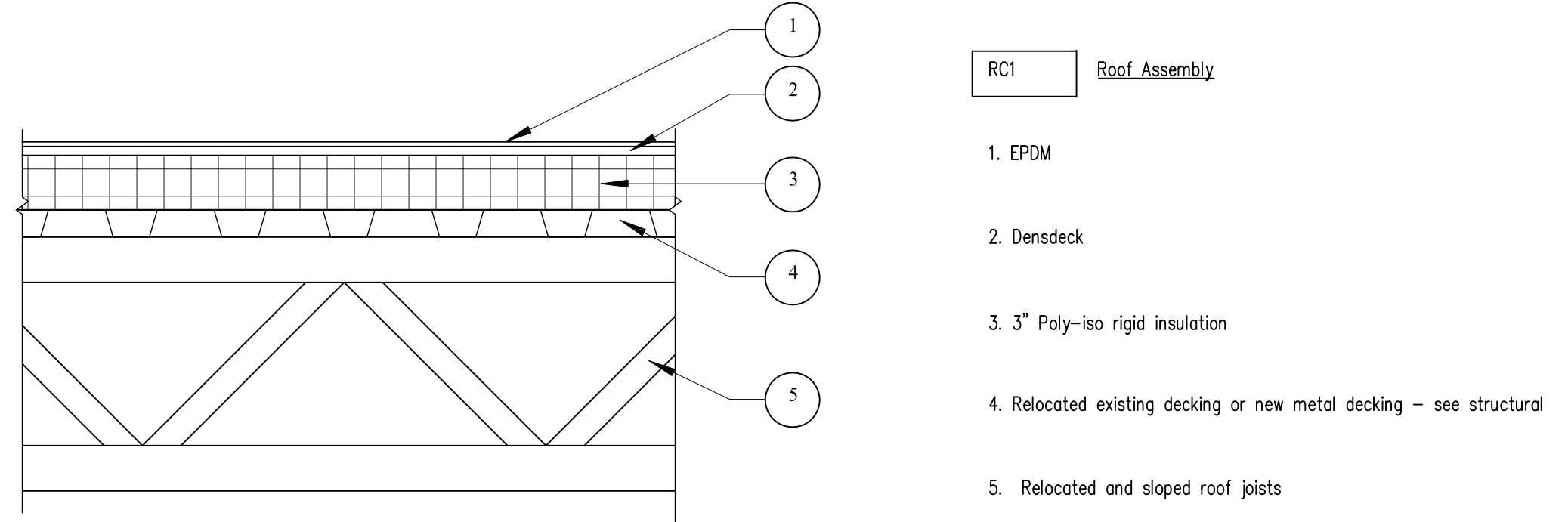


1 | BUILDING SECTION
1/4" = 1'-0"
5' 4' 3' 2' 1' 0 5' 10'

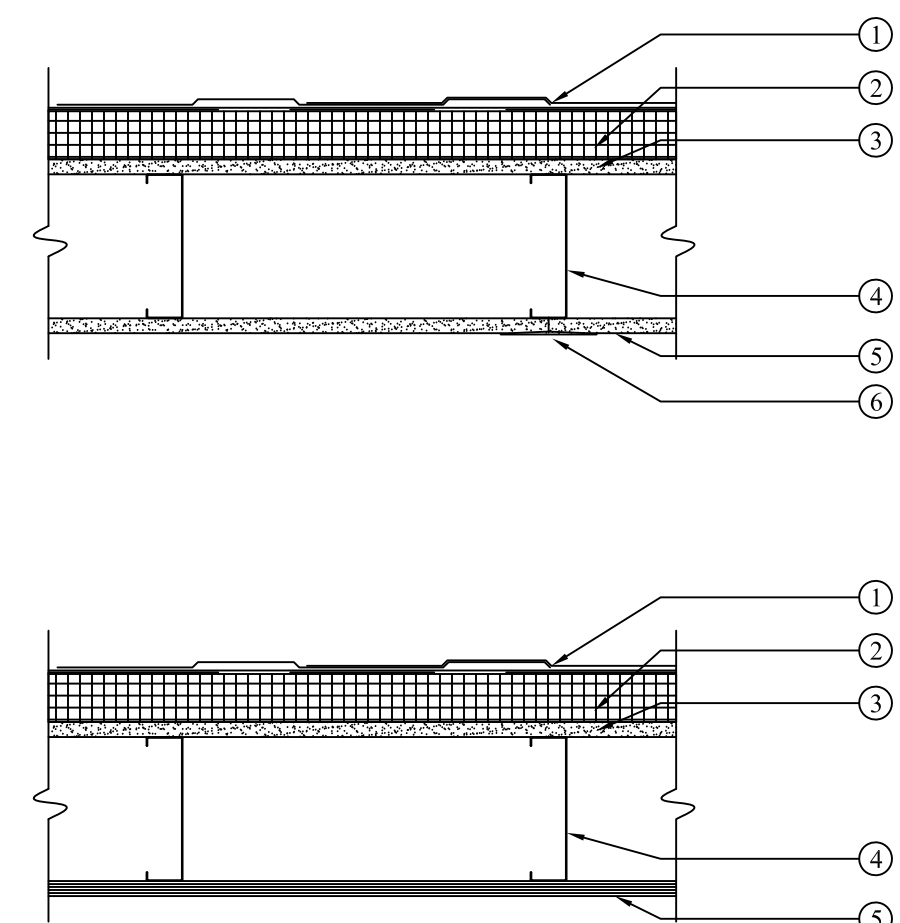
2 | WINDOW DETAIL
6" = 1'-0"
3" 2" 1" 0 3" = 1'-0" 1'



3 | FLOOR/CEILING ASSEMBLY
1 1/2" = 1'-0"
6' 4" 2" 0 1' 2'



4 | ROOF ASSEMBLY
1 1/2" = 1'-0"
6' 4" 2" 0 1' 2'



5 | WALL TYPES
1 1/2" = 1'-0"
6' 4" 2" 0 1' 2'

W-1 EXTERIOR WALL - FROM 4'-0" ABOVE FIRST FLOOR FINISHED FLOOR

1. Siding - Metal panel and mounting system.
2. Poly - Iso - Rigid Insulation
3. Sheathing - 3/8" Densglass
4. Studs - 6" Galv. steel studs at 16" OC.
5. Gypsum Board - 5/8 in. thick, 4 ft wide Type X "Sheetrock" brand wallboard.

W-2 EXTERIOR WALL - TO 4'-0" ABOVE FIRST FLOOR FINISHED FLOOR (FLOOD PROOF)

1. Siding - Metal panel and mounting system.
2. Poly - Iso - Rigid Insulation
3. Sheathing - 3/8" Durock
4. Studs - 6" Galv. steel studs at 16" OC.
5. Interior Finish - 1/2 in. thick, Exterior Grade plywood