

Prepared For:
MAINE WHARF LLC
 72 COMMERCIAL STREET
 PORTLAND, ME 04101

Consulting Engineer:

Architect:
ARCHETYPE
 architects
 48 Union Wharf Portland, Maine 04101
 (207) 772-6022 Fax (207) 772-4056

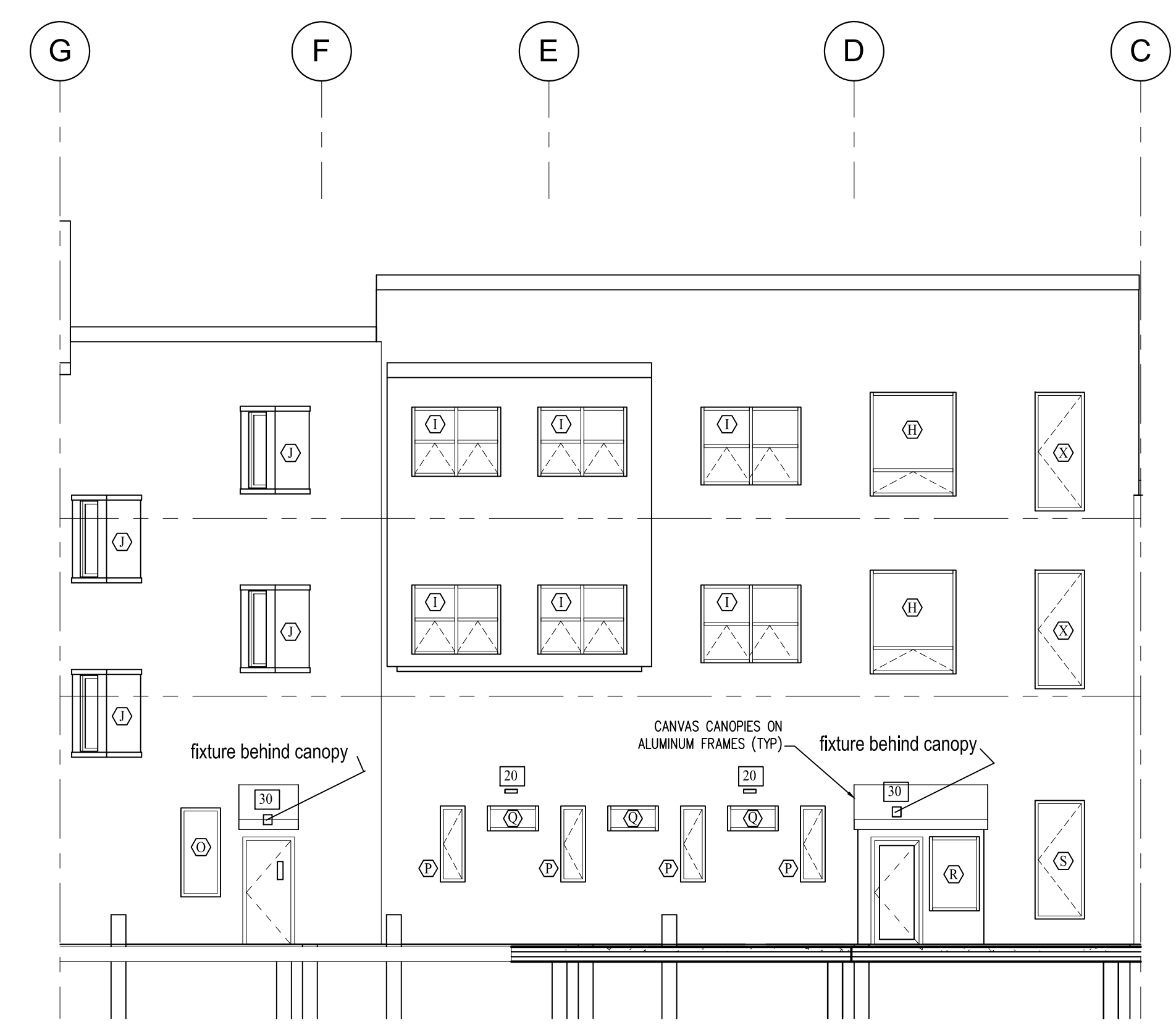
Project:
MAINE WHARF
 68 COMMERCIAL STREET
 PORTLAND, MAINE

Revisions:
 PHASE 2 PERMIT AND CONST.
 12/04/13

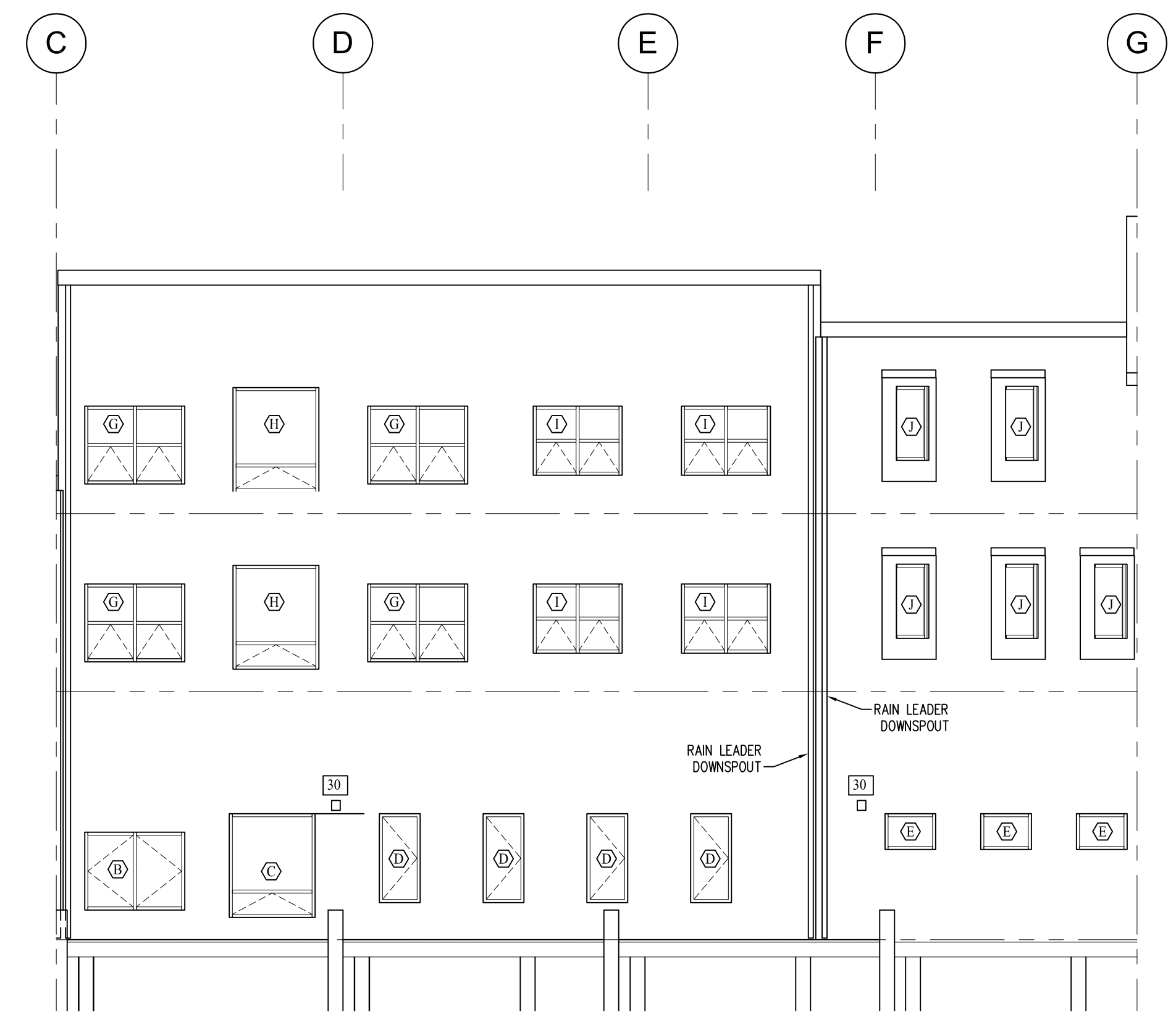
Scale:
 AS INDICATED

Date:
 04 Dec 2013

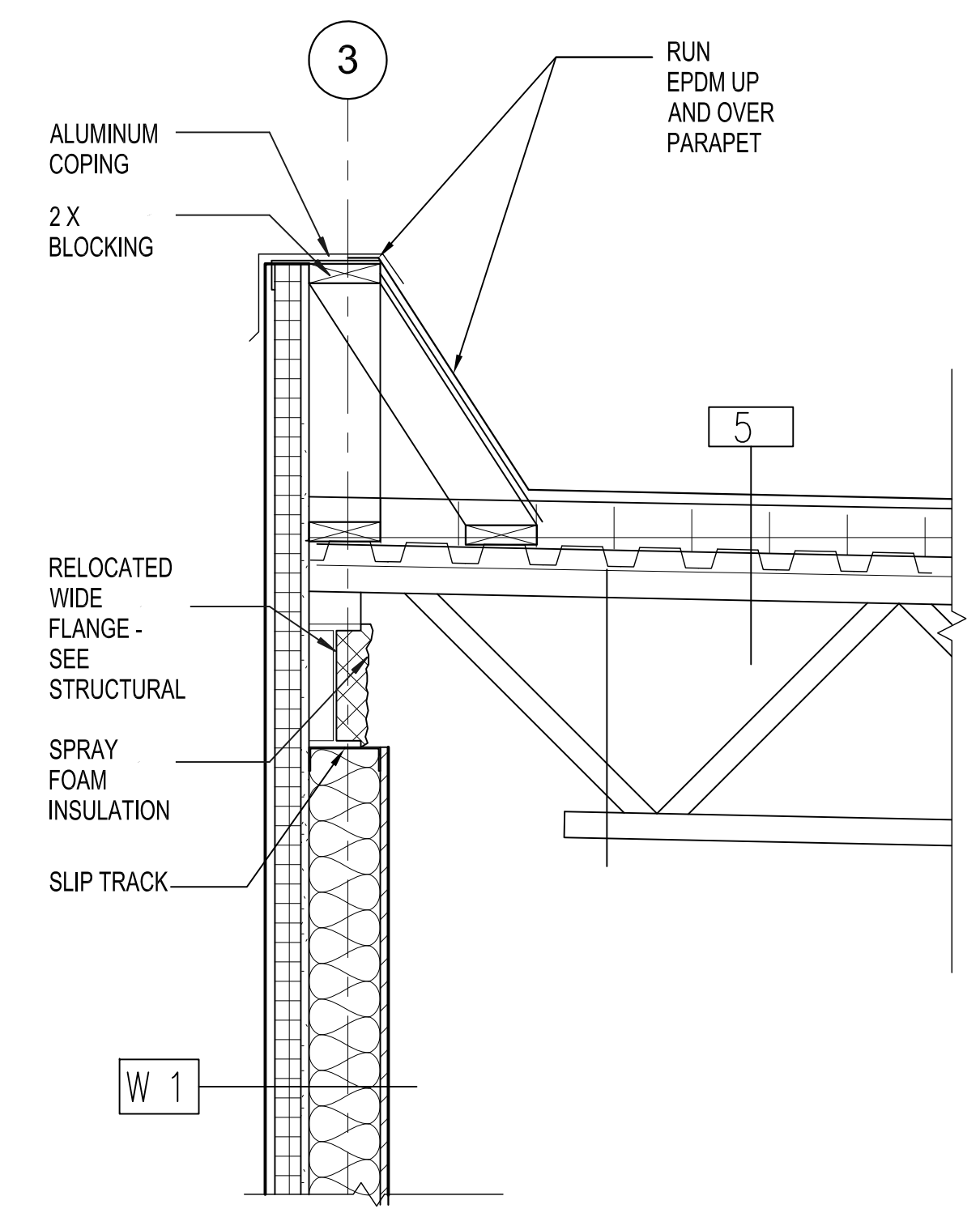
**PHASE 2 BUILDING
 ELEVATIONS**



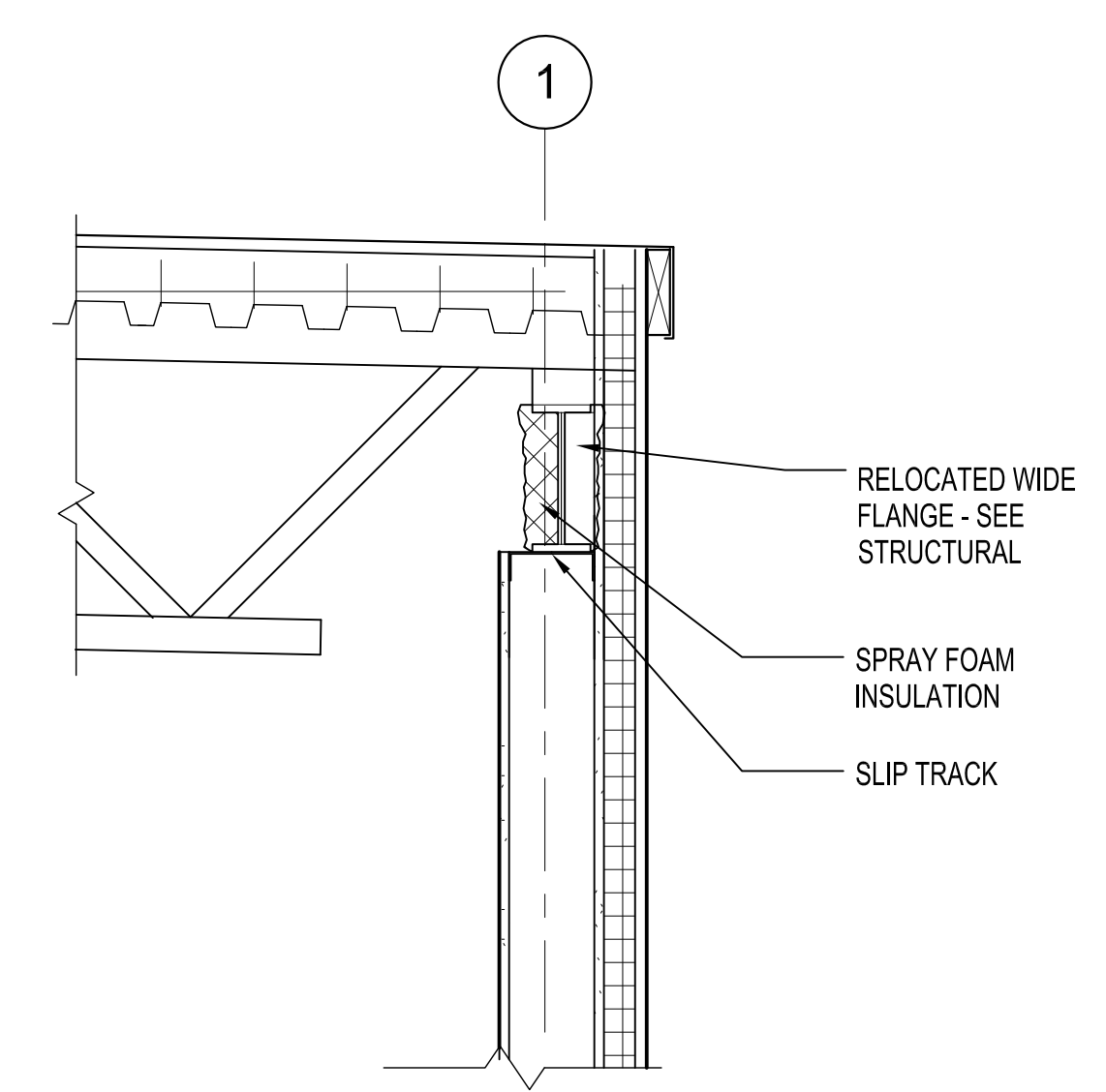
1 | EAST ELEVATION
 1/8" = 1'-0"
 10' 8' 4' 2' 0' 5' 10' 20'



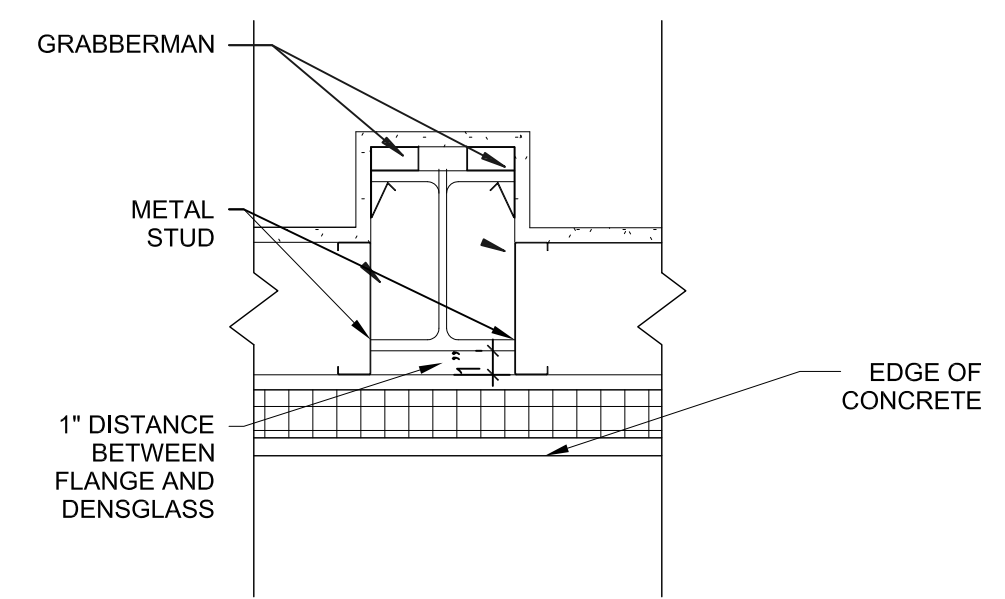
2 | WEST ELEVATION
 1/8" = 1'-0"
 10' 8' 4' 2' 0' 5' 10' 20'



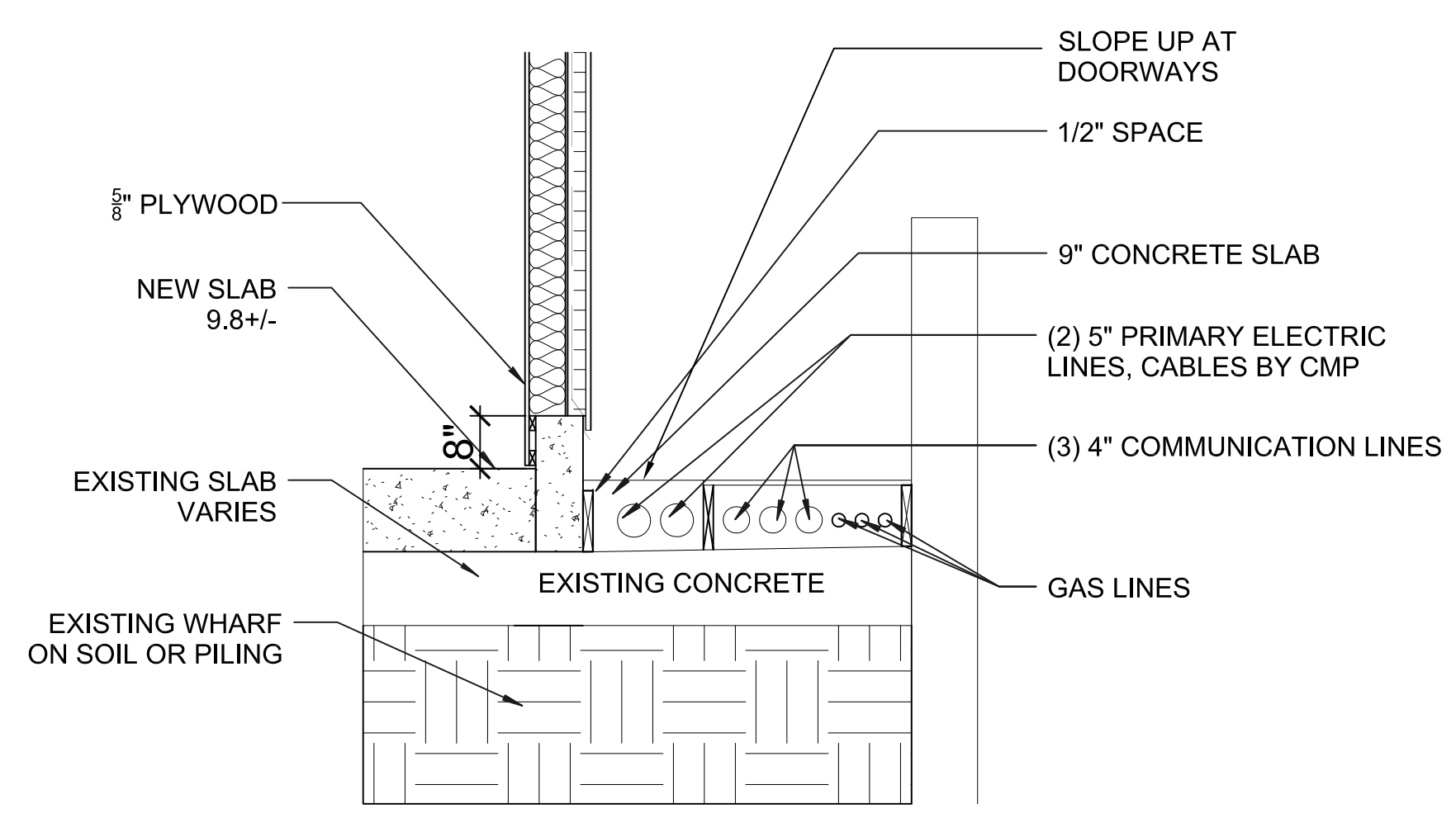
3 | PARAPET DETAIL
 1" = 1'-0"
 1' 6" 3" 0' 2'-6"



4 | ROOF DETAIL
 1" = 1'-0"
 1' 6" 3" 0' 2'-6"



5 | TYPICAL COLUMN DETAIL
 1 1/2" = 1'-0"
 6" 4" 2" 0' 1' 2'



6 | UTILITIES
 1/2" = 1'-0"
 2' 1' 6" 0'