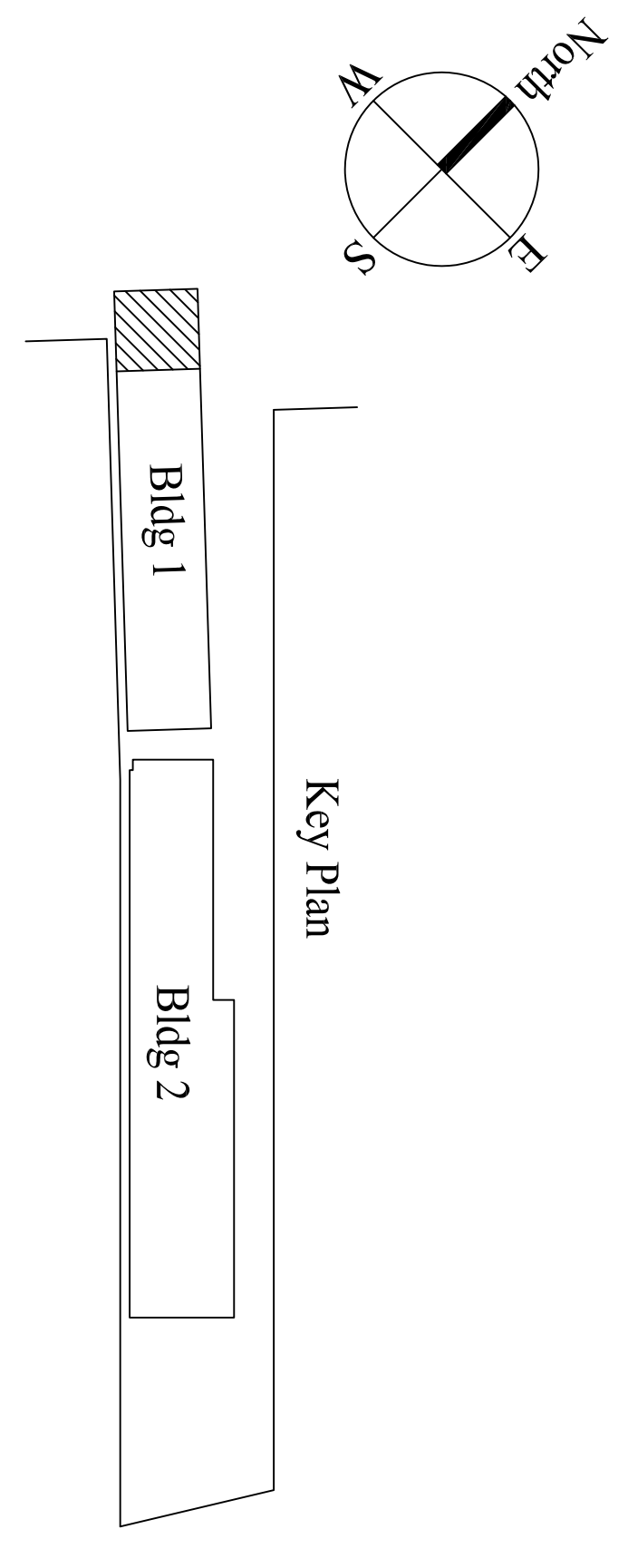
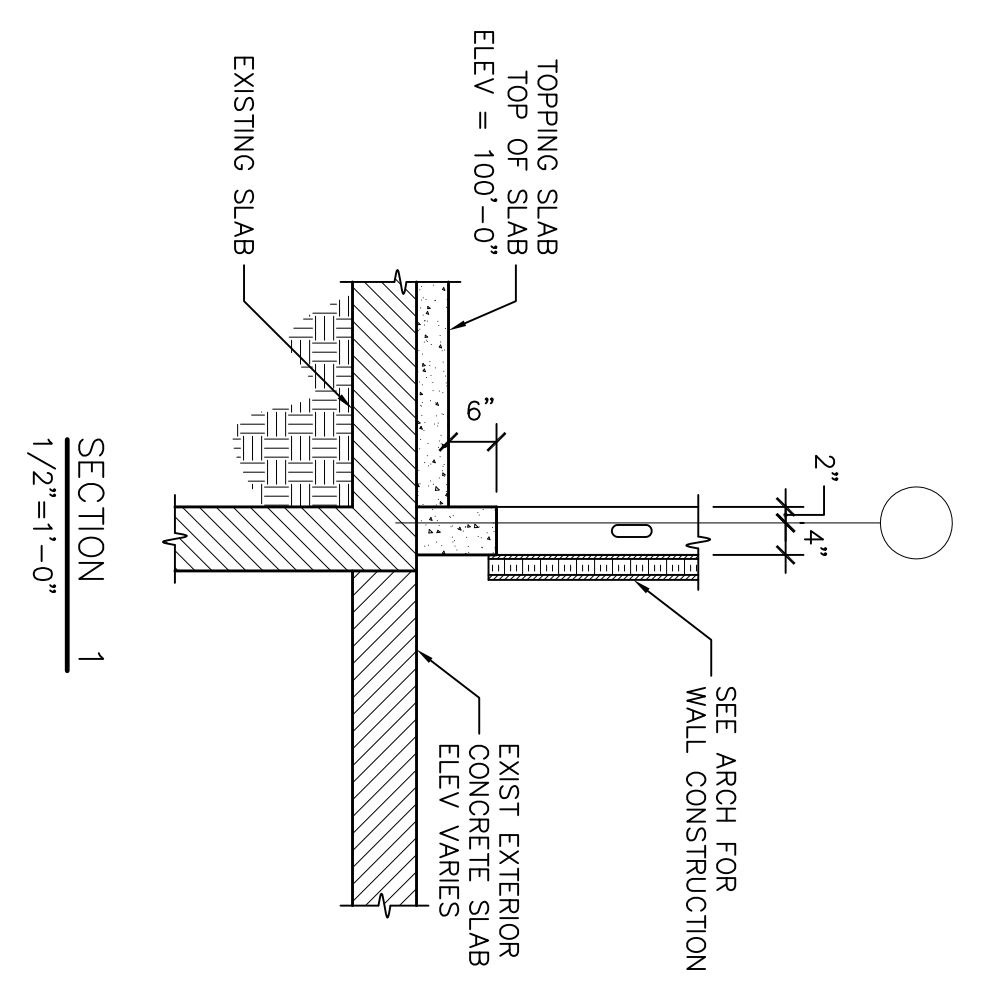


**FIRST FLOOR SLAB PLAN**  
 1/4"=1'-0"

TOPPING SLAB THICKNESS VARIES.  
 TOP OF TOPPING SLAB EL. = 0'-0" (EQUAL TO SITE ELEV 9.80')

**MATERIAL PROPERTIES:**  
 CONCRETE 4000 PSI AT 28 DAYS  
 AGGREGATE 3/4" ASTM C33  
 ENTRAINED AIR 7% ± 1%  
 SLUMP 3" ± 1"  
 CORROSION INHIBITOR 3 1/2 GAL/CY ADDED AT BATCH PLANT  
 GRACE DCl-S OR MASTER BUILDERS RHEOCRETE CNI  
 REINFORCING ASTM A-615 EPOXY COATED



<b>S1.01</b>	Date: 06 Feb 2013	Scale: As Noted	Revisions: General Revisions 05/15/13	Project: <b>Maine Wharf Building 1 Section A</b>	Architect: <b>ARCHETYPE architects</b> 48 Union Wharf Portland, Maine 04101 (207) 772-6022 Fax (207) 772-4056	Consulting Engineer: <b>STRUCTURAL DESIGN CONSULTING</b> 22 Oakmont Drive Old Orchard Beach ME 04064-4121 Tel 207.934.8038 Fax 207.934.8039	Prepared For: <b>MAINE WHARF, LLC</b>  P.O. Box 535 BUXTON, ME 04093	
	<b>FIRST FLOOR SLAB PLAN</b>				68 Commercial Street Portland, ME			