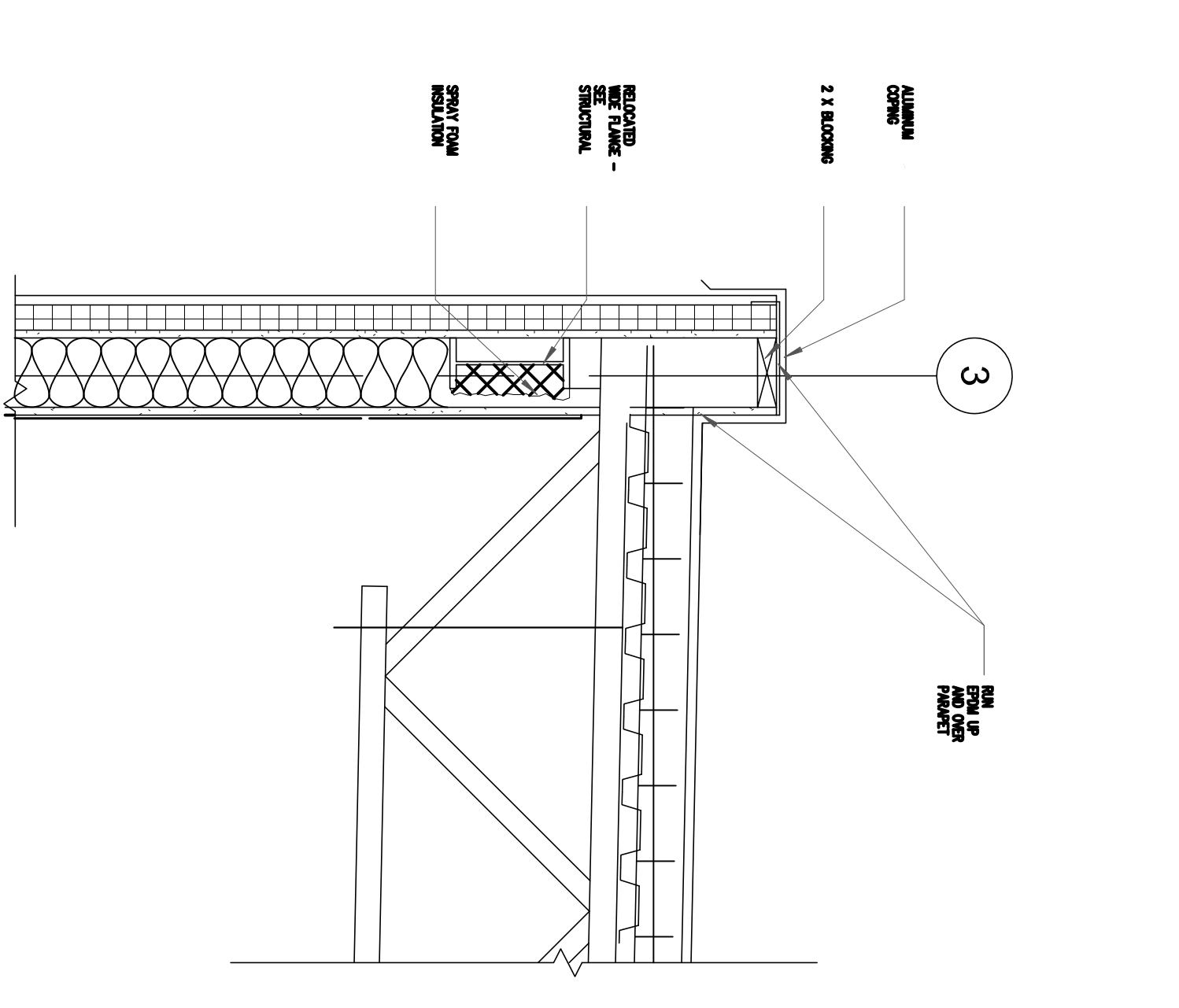
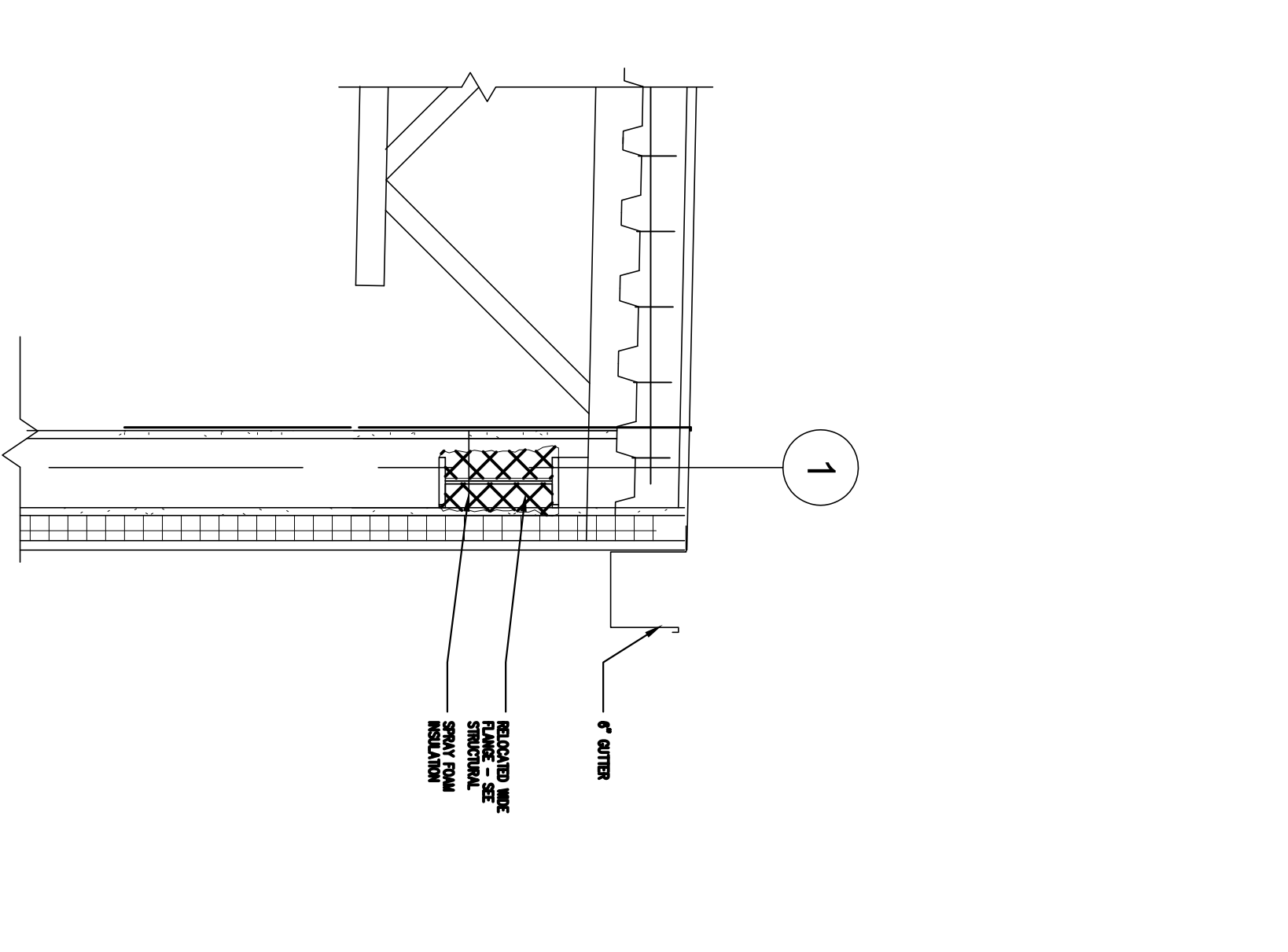


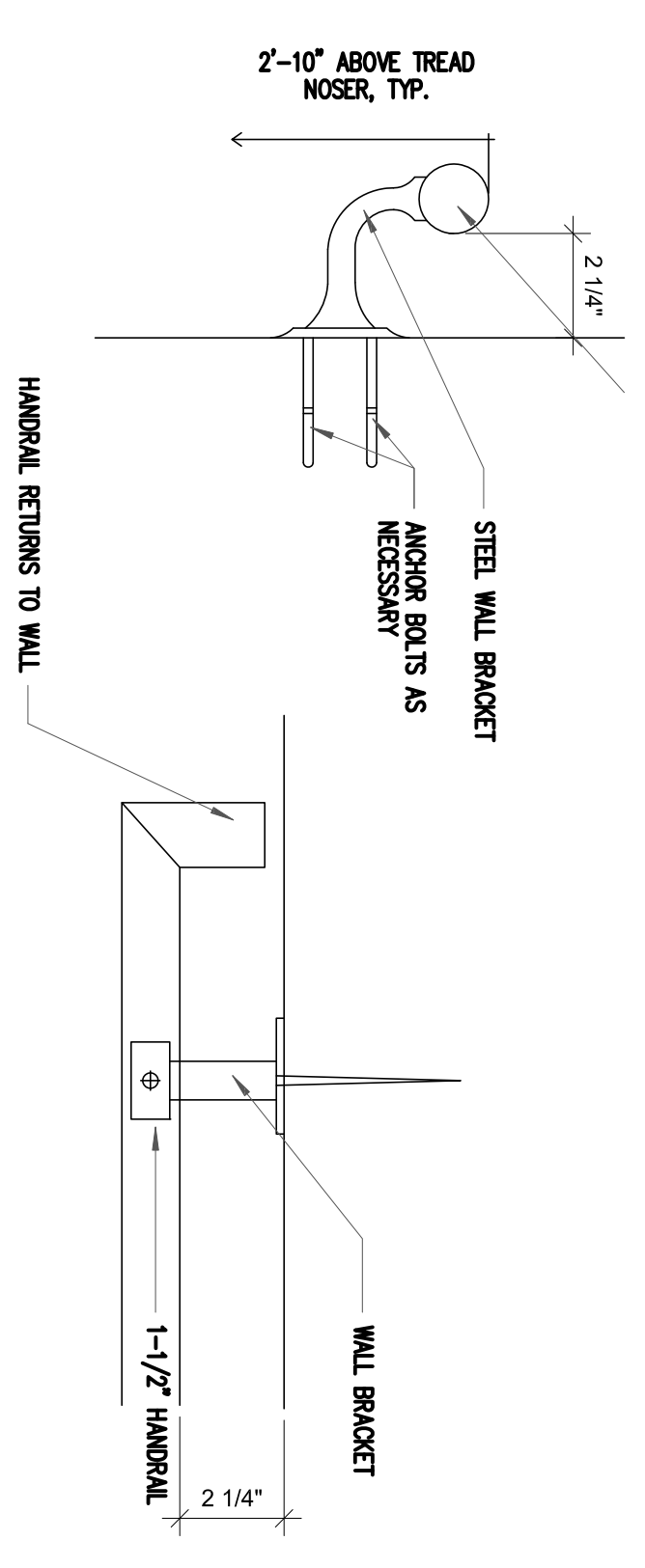
1 Building Section  
SCALE: 1/4"=1'-0"



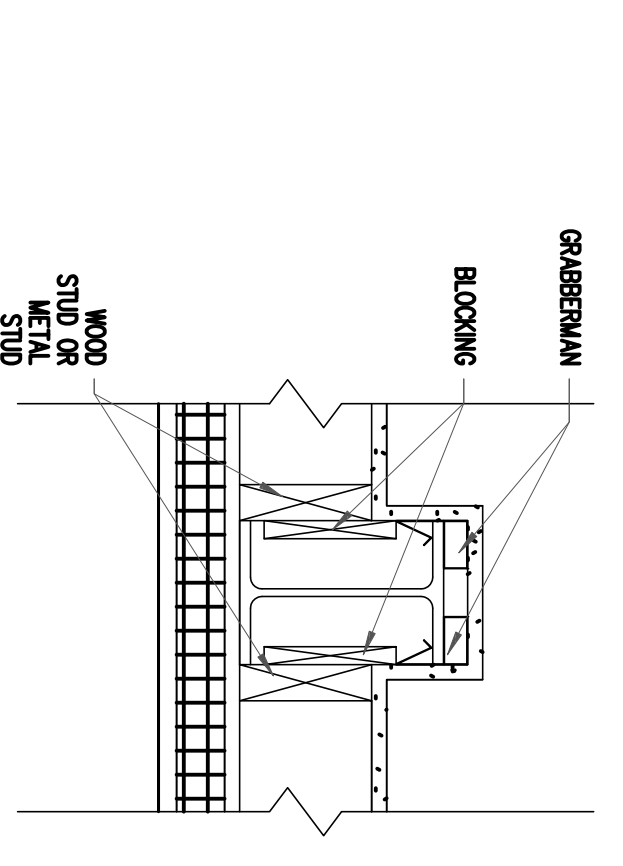
2 Parapet Detail - High  
SCALE: 1"=1'-0"



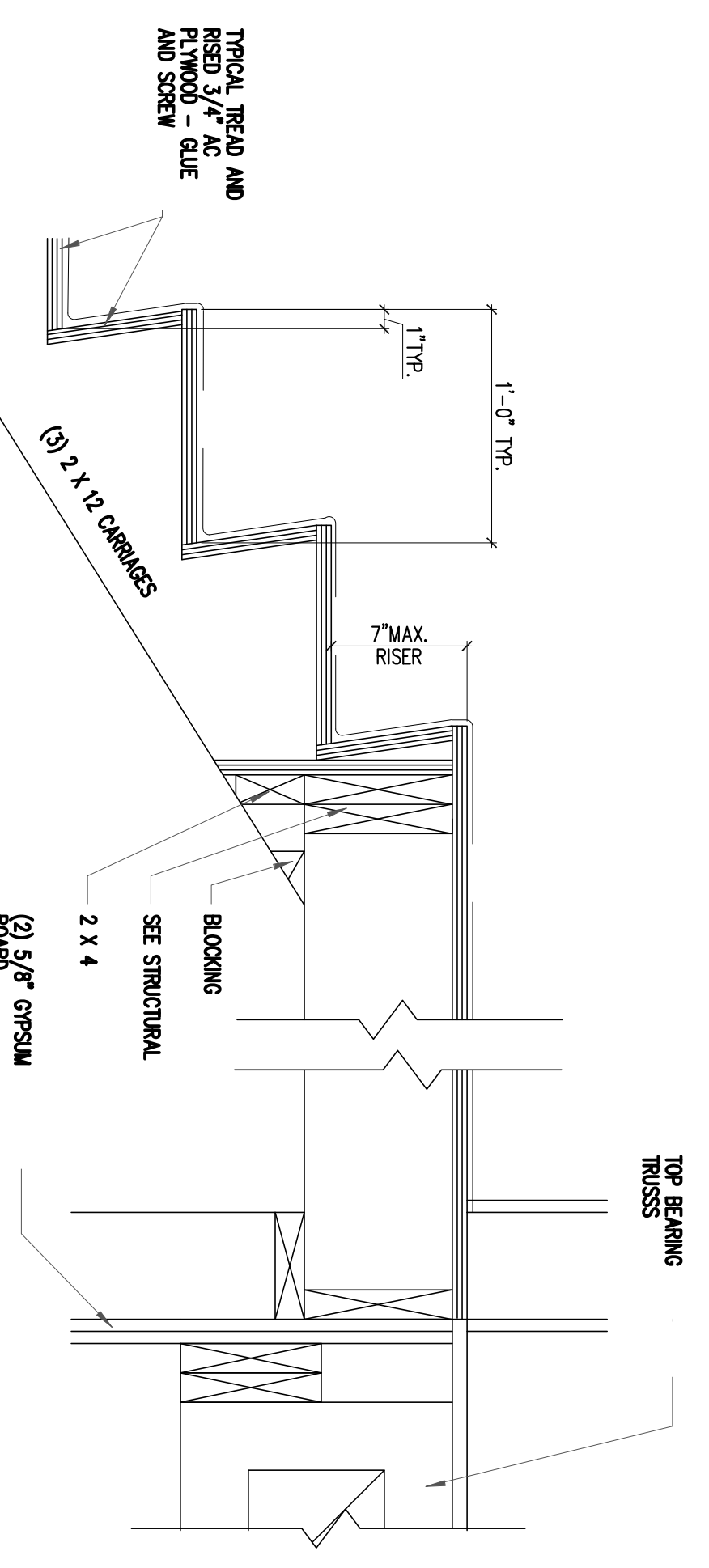
3 Parapet Detail - Low  
SCALE: 1"=1'-0"



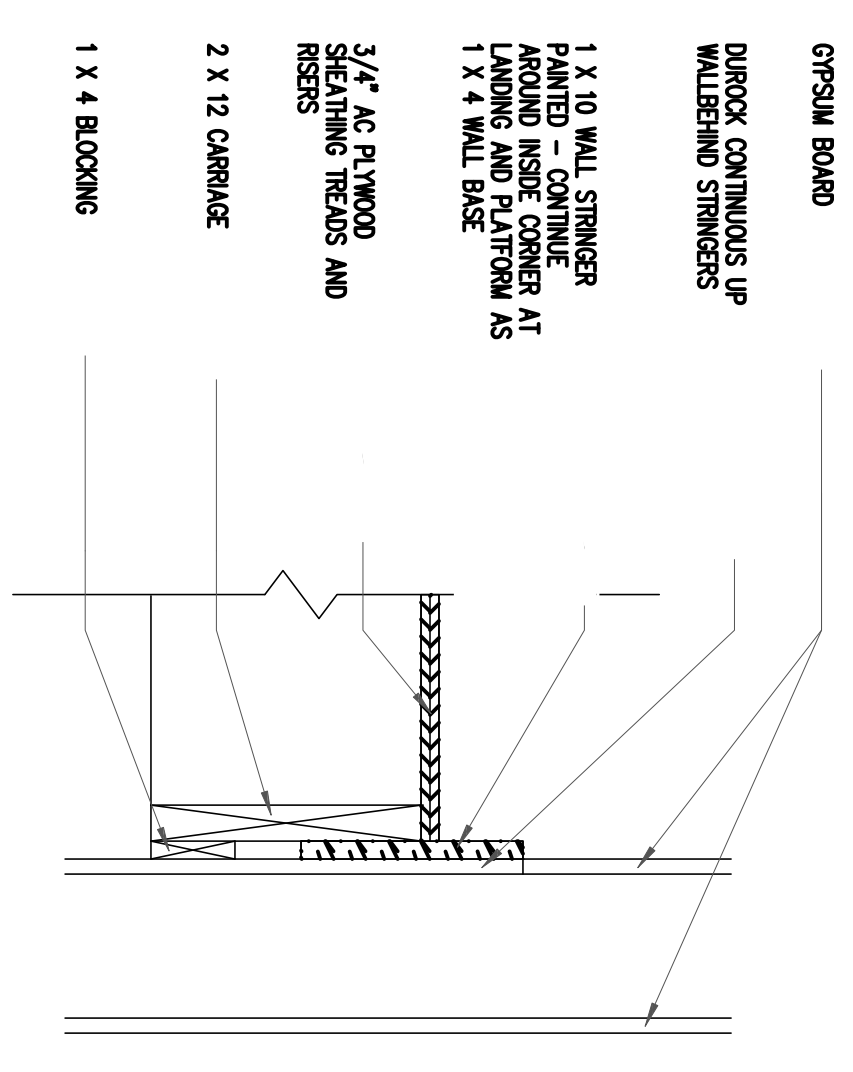
5 Handrail Detail  
SCALE: 3/8"=1'-0"



8 Typical Column Detail  
SCALE: 1/2"=1'-0"



6 Stair - Riser Detail  
SCALE: 1/2"=1'-0"



7 Stair Detail - Cross  
SCALE: 1/2"=1'-0"

4 NOT USED  
SCALE: 1/2"=1'-0"