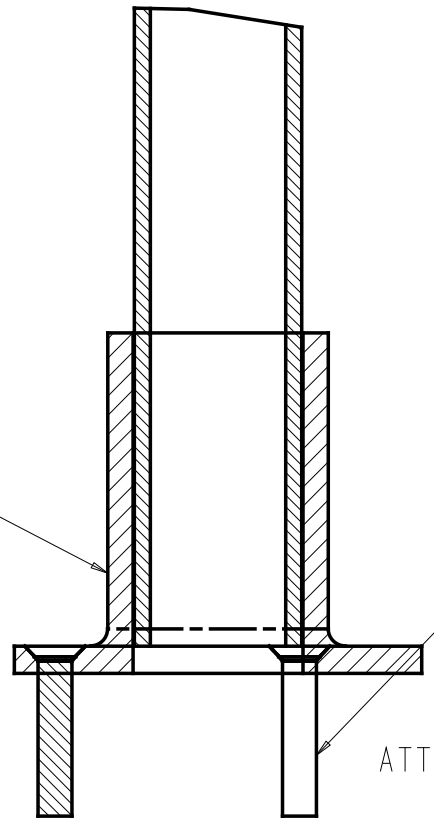


ATTACHMENT TO OVERHEAD STRUCTURE



STANCHION BASE

ATTACHMENT TO DECK

1/4 in. SS Bolts

ALTERATIONS :

NOTES :

**HALLETT CANVAS & SAILS**

TYPICAL FRAME ATTACHMENT

DESIGNER		FOR:	
15872 Restaurant Awning		Mr. Harding Smith	
DRAWN BY	SCALE	DATE	DRAWING NO.
S.F.	None	5/25/2013	15872-04
			ALT