

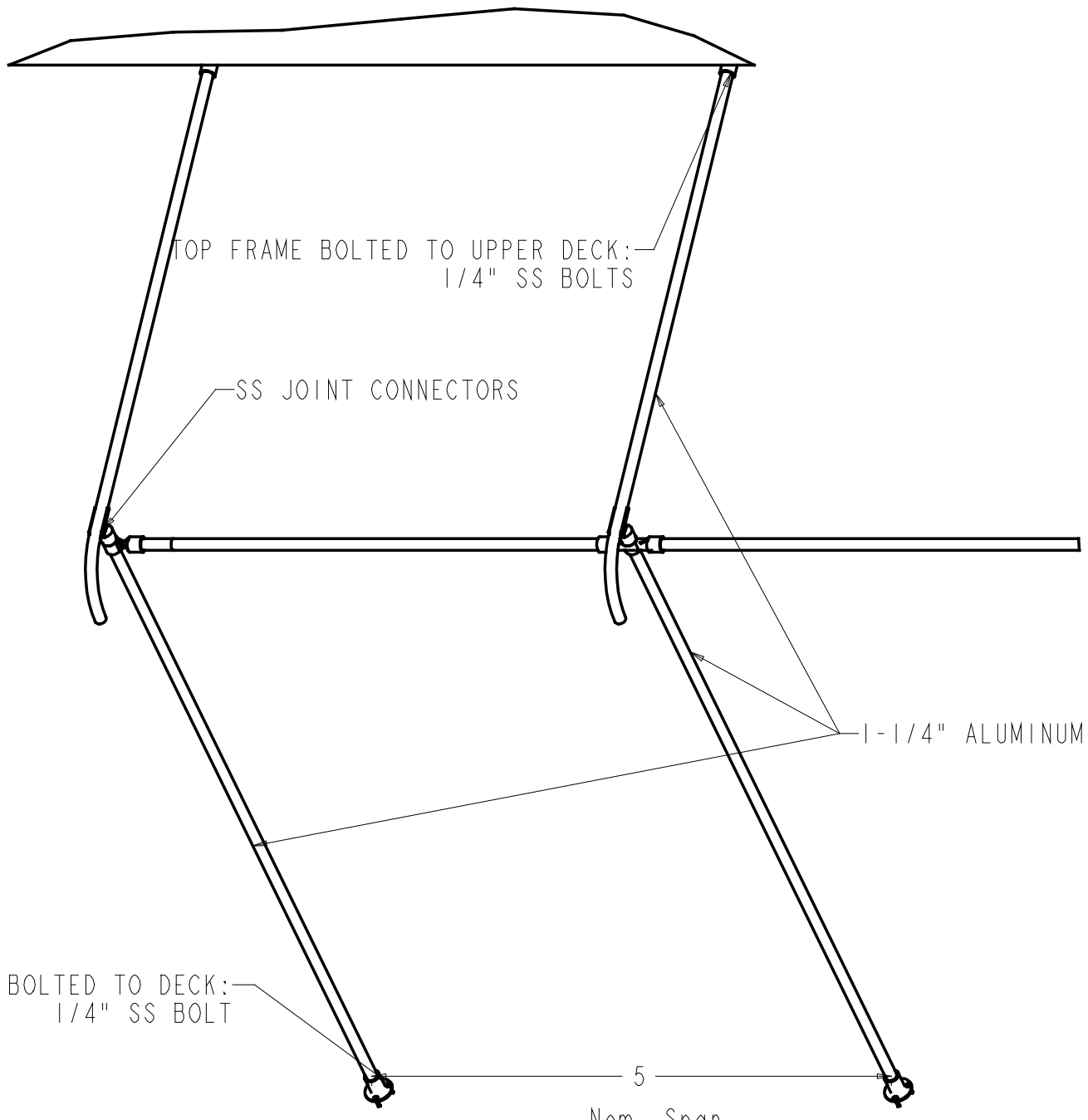
ALTERATIONS :

NOTES :

<b>DESIGN</b>		<b>FOR</b>	
15872 Restaurant Awnings		Mr. Harding Smith	
<b>DRAWN BY</b>	<b>SCALE</b>	<b>DATE</b>	<b>DRAWING NO.</b>
S.F.	None	5/25/2013	15872-03
			<b>ALT</b>

**HALLETT CANVAS & SAILS**

TYPICAL FRAME LAYOUT



TOP FRAME BOLTED TO UPPER DECK:  
1/4" SS BOLTS

SS JOINT CONNECTORS

1-1/4" ALUMINUM H2UBE

BASE BOLTED TO DECK:  
1/4" SS BOLT

5  
Nom. Span