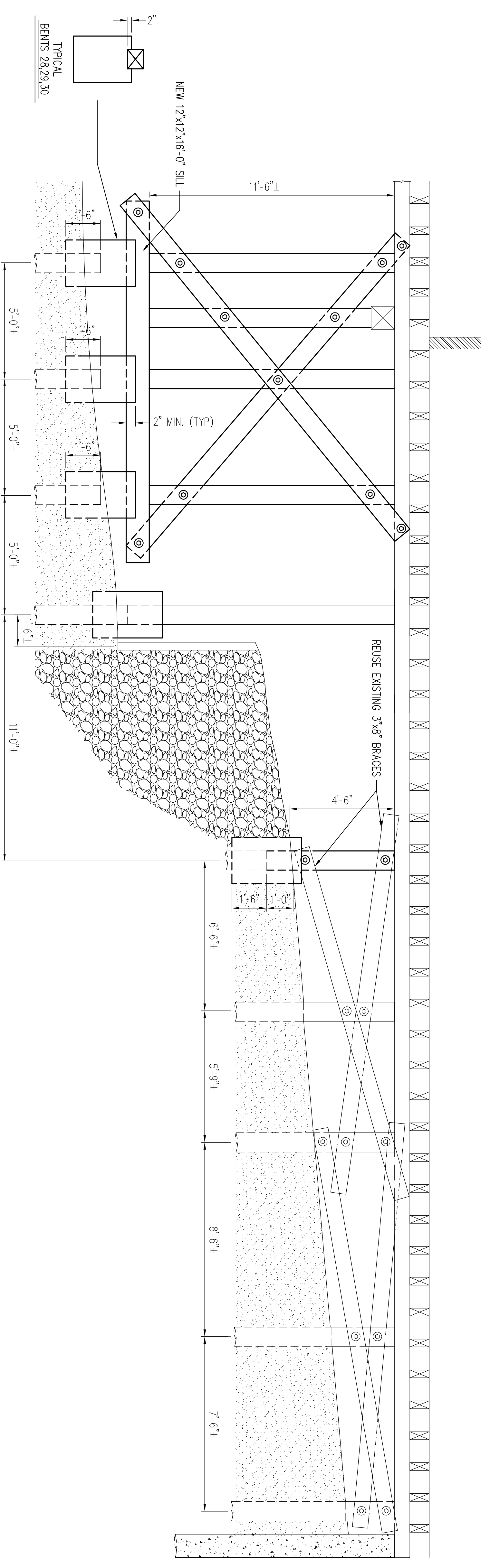


- CONSTRUCTION DETAILS APPLICABLE TO ALL BENTS**
1. ALL MEMBERS SHOULD BE FASTENED AS SHOWN UNLESS OTHERWISE STATED.
  2. ALL CONCRETE ENCASUREMENTS SHALL BE 24"x36" UNLESS OTHERWISE STATED.
  3. ALL CONCRETE ENCASUREMENTS MUST EXTEND PAST THE END OF EXISTING PILES BY A MINIMUM OF 18" UNLESS OTHERWISE STATED.



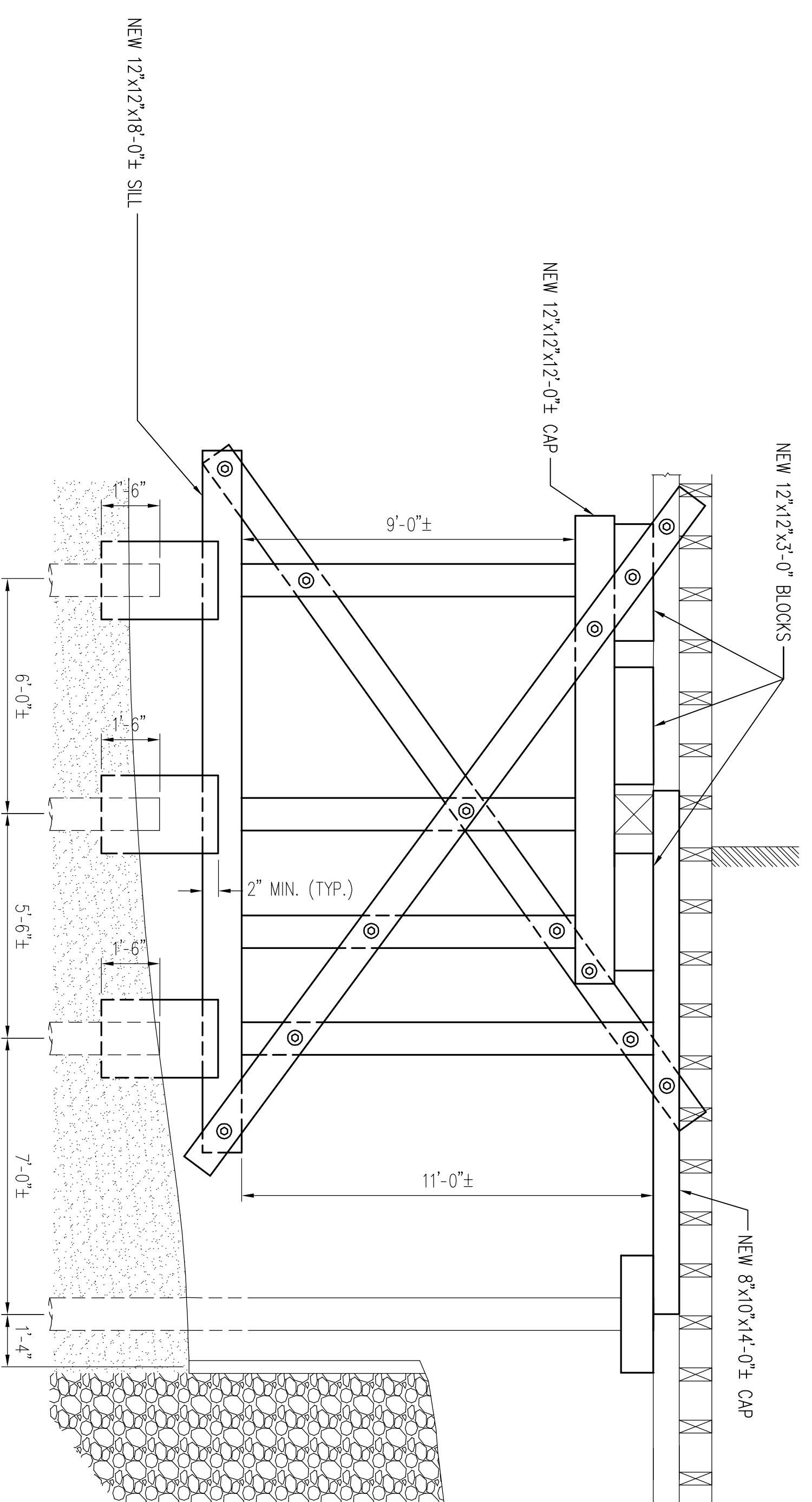
**BENT 28**

PROPRIETORS OF CUSTOM HOUSE WHARF  
PORTLAND, ME

COMEDY CONNECTION PIER REPAIRS  
CONSTRUCTION DETAILS & BENT 28

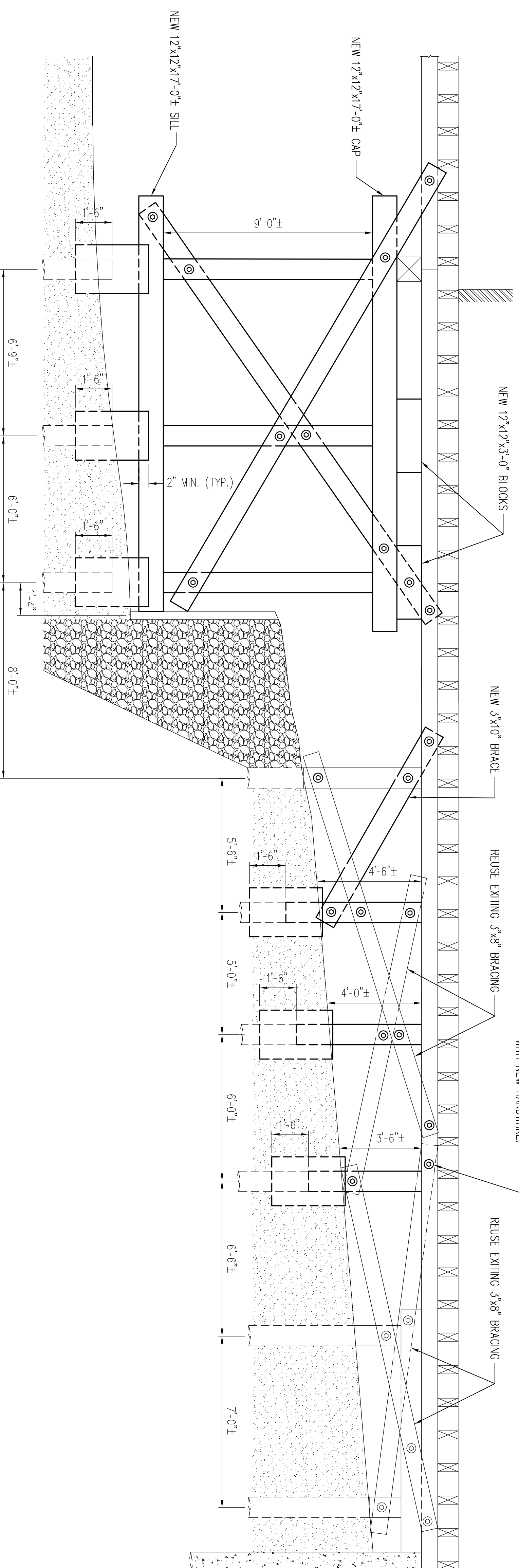
**TEC ASSOCIATES**  
CONSULTING ENGINEERS  
48 SAWYER STREET  
SOUTH PORTLAND, MAINE 04106

DESIGNED BY K.F.	SCALE 3/8" = 1'-0"	DATE DECEMBER 12, 2007
CHECKED BY K.F.	SCALE 1/8" = 1'-0"	DATE DECEMBER 12, 2007
PROJECT NO. 0737-1	SCALE 1/8" = 1'-0"	DATE DECEMBER 12, 2007



BENT 29

ANY HARDWARE REMOVED DURING CONSTRUCTION SHALL BE REPLACED WITH NEW HARDWARE.



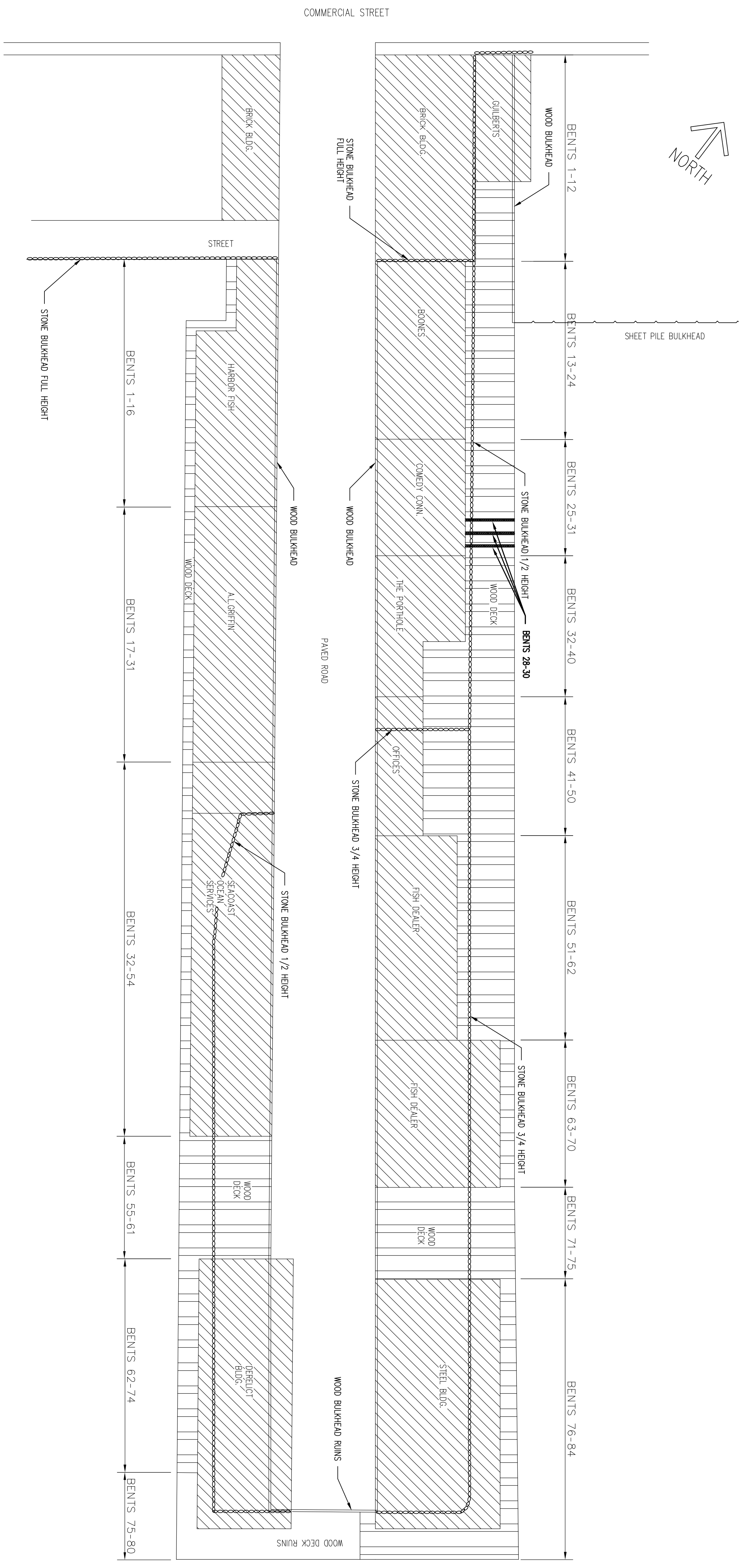
BENT 30

PROPRIETORS OF CUSTOM HOUSE WHARF  
PORTLAND, ME

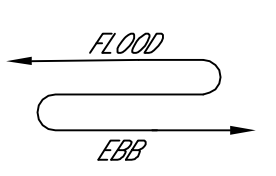
COMEDY CONNECTION PIER REPAIRS  
BENT 29 & BENT 30

**TEC ASSOCIATES**  
CONSULTING ENGINEERS  
48 SAWYER STREET  
SOUTH PORTLAND, MAINE 04106

SCALE  $\frac{3}{8}$ " = 1'-0"  
DRAWN BY K.F.  
DATE DECEMBER 12, 2007  
ISSUANCE NO. 2 OF 2



PORTLAND HARBOR



PROPRIETORS OF CUSTOM HOUSE WHARF  
 PORTLAND, ME  
 CUSTOM HOUSE WHARF  
 PIER LAYOUT

<p><b>TEC ASSOCIATES</b> CONSULTING ENGINEERS</p>	
<p>46 SUMMIT STREET SOUTH PORTLAND, MAINE 04106</p>	<p>PHONE NO. 04106</p>
<p>SCALE N.T.S.</p>	<p>DATE DECEMBER 12, 2007</p>
<p>DRAWN BY JDL</p>	<p>DESIGNED BY WMD</p>
<p>JOB NUMBER 0737-1</p>	<p>DRAWING NO. 1 OF 1</p>