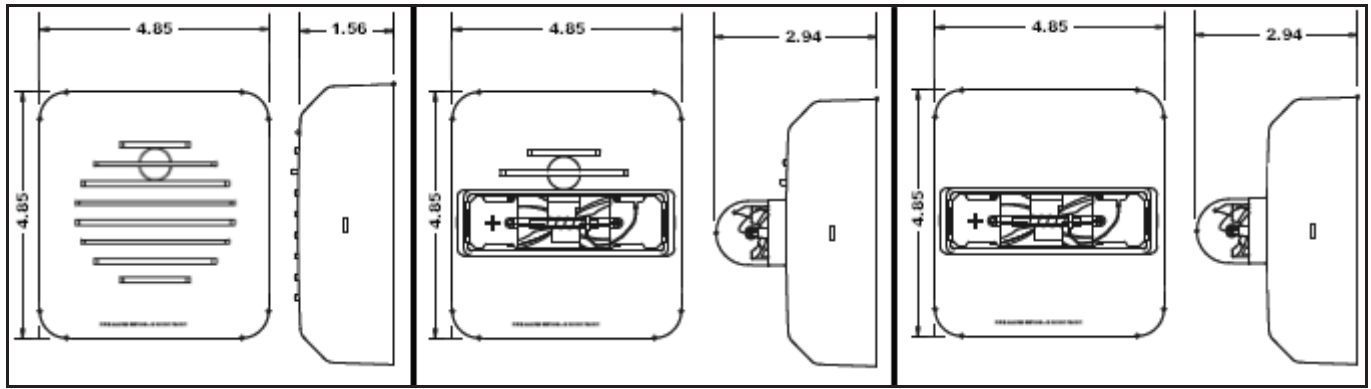


Mounting Diagram



(Shown In Inches)

Mounting Options

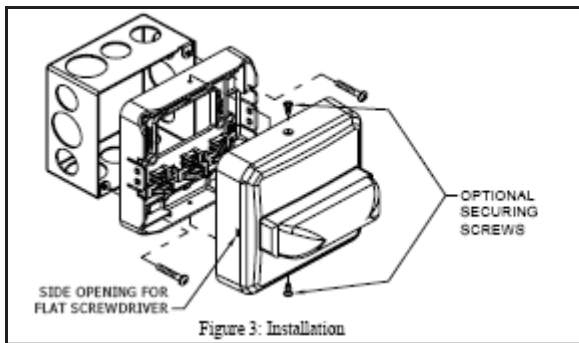


Figure 3: Installation

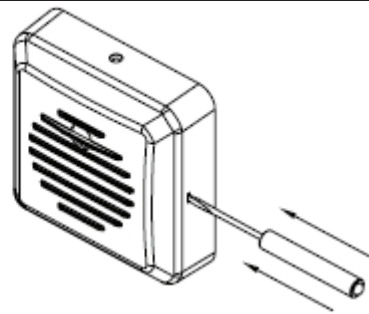


Figure 4: Removal (See step 8 below)

1. Install mounting plate as shown in figure 1 to a single-gang, double-gang, 4" square, 4" octagon, or a 3 1/2" octagon backbox with the provided pan head screws. To remove dust cover, place thumb and index finger on top edges of cover and pull off cover.
2. Connect field wiring per figures 2 and 3.
3. Address wires back into backbox.
4. Place dust cover over mounting plate to protect the terminals while performing wiring continuity check..
5. Remove dust cover before snapping or installing the appliance onto the mounting plate per fig 3.

6. Important: Device only has one mounting orientation. Match the top of the base to the top of the device.
7. If it is desired to further secure the device to the base, then two optional screws are provided. To install these screws punch out the screw holes located at the top and bottom of the device.
8. To remove the appliance, push a small flat-bladed screwdriver into the side opening. The screwdriver must clear the snap release opening by 1/4" to disengage the snap. Do not pry off housing with the screw driver. Apply pressure with screw driver, inserted in either side opening, as shown in Fig 4 to release the housing.

Technical Data

		ZH and ZH-MC Horn Reverberant dBA per UL464 [ZH-MC and ZH at 24V]		
		16.0V	24V	33.0V
Continuous Horn	High	83	87	90
	Low	77	81	83
Code 3 Horn or March Time*	High	79	82	86
	Low	72	76	79

*Available in sync mode only

In (Amps)	ZH Horn Current Draw	
	Horn Setting	16-33 Volts
DC	High*	0.044
	Low*	0.018
FWR	High*	0.075
	Low*	0.045

*Current Draw is the same for the Continuous Horn, Code 3 Horn and March Time Settings.