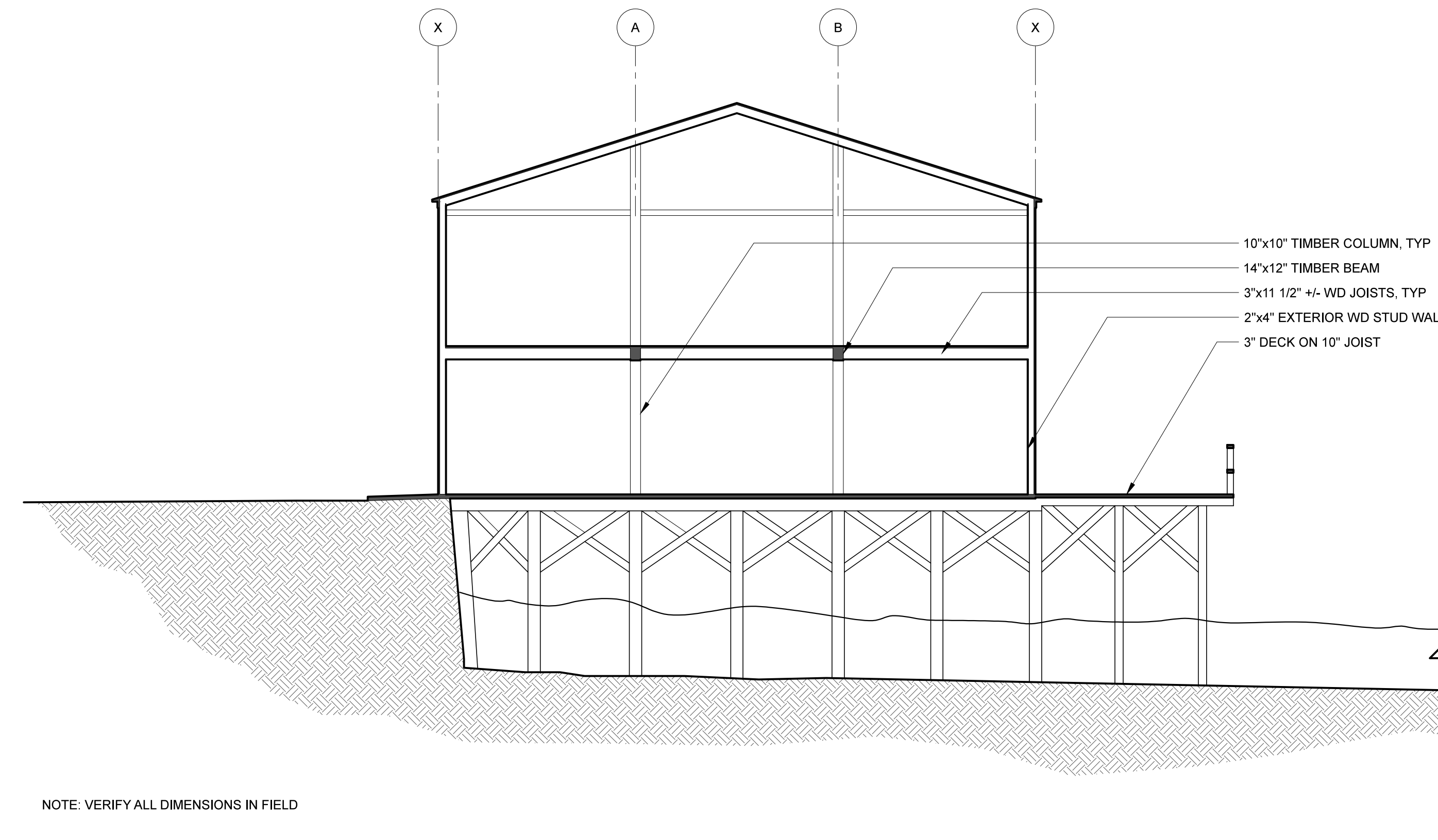
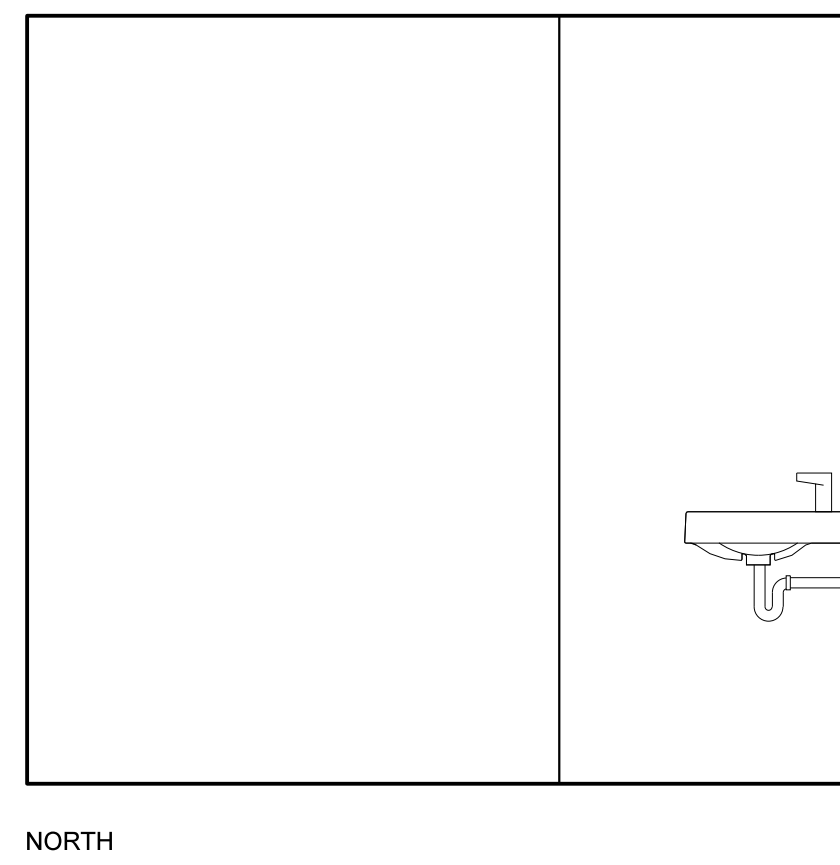


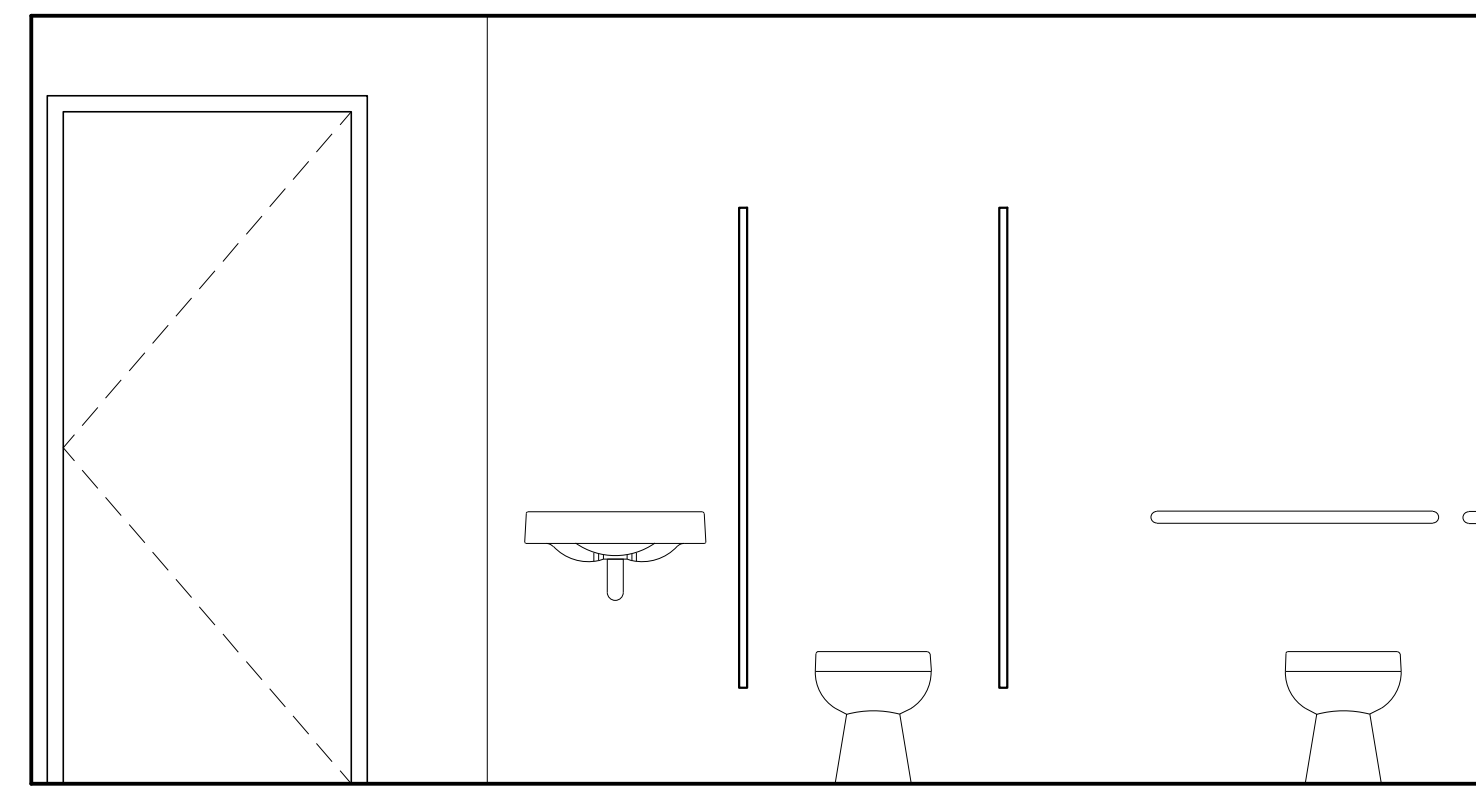
1 STAIR SECTION
 SCALE: 1/12" = 1'-0"



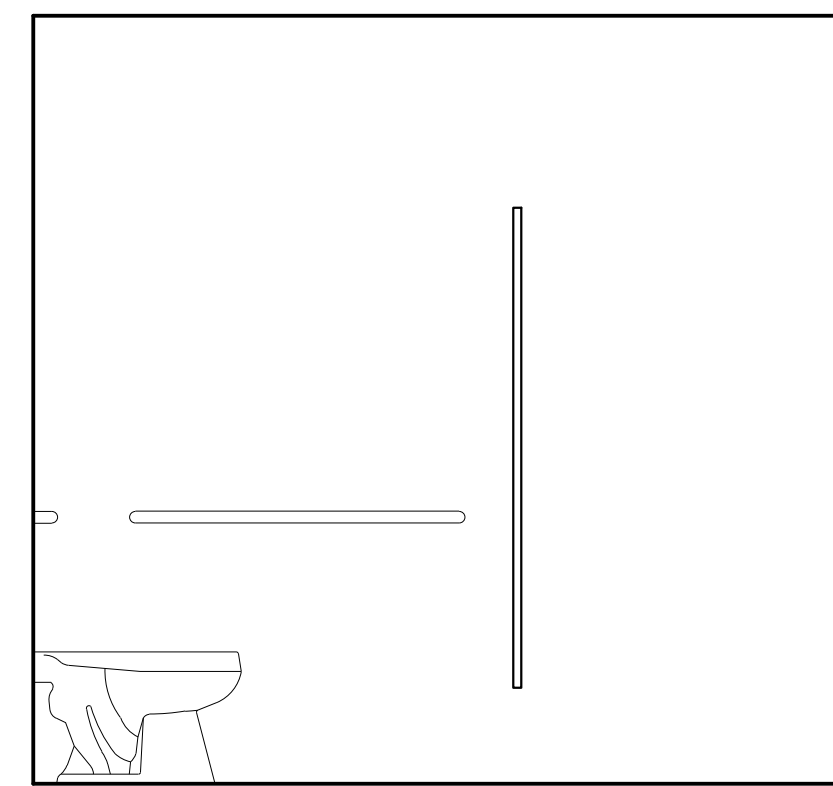
4 BUILDING SECTION - TYPICAL STRUCTURE
 SCALE: 1/8" = 1'-0"



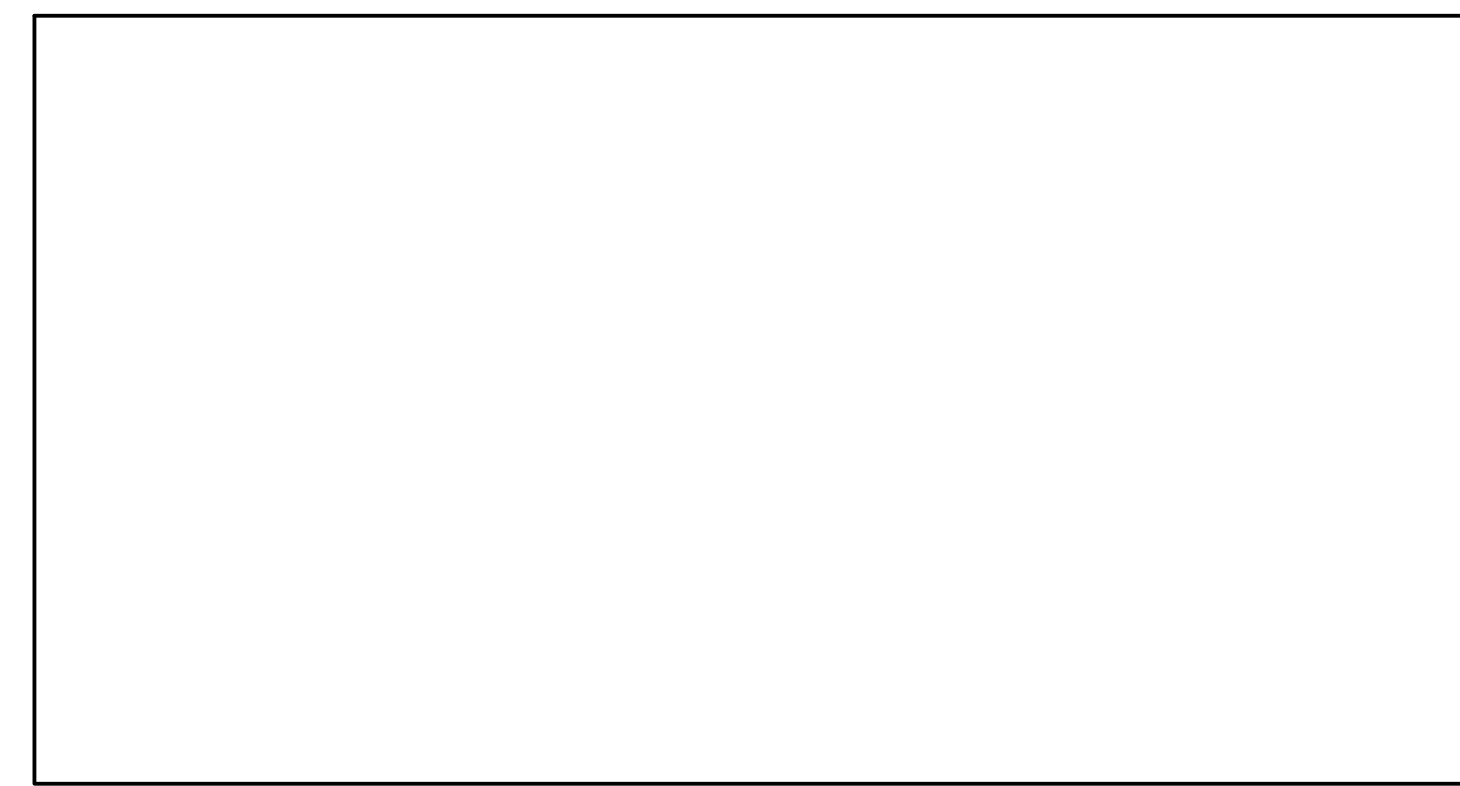
NORTH



EAST

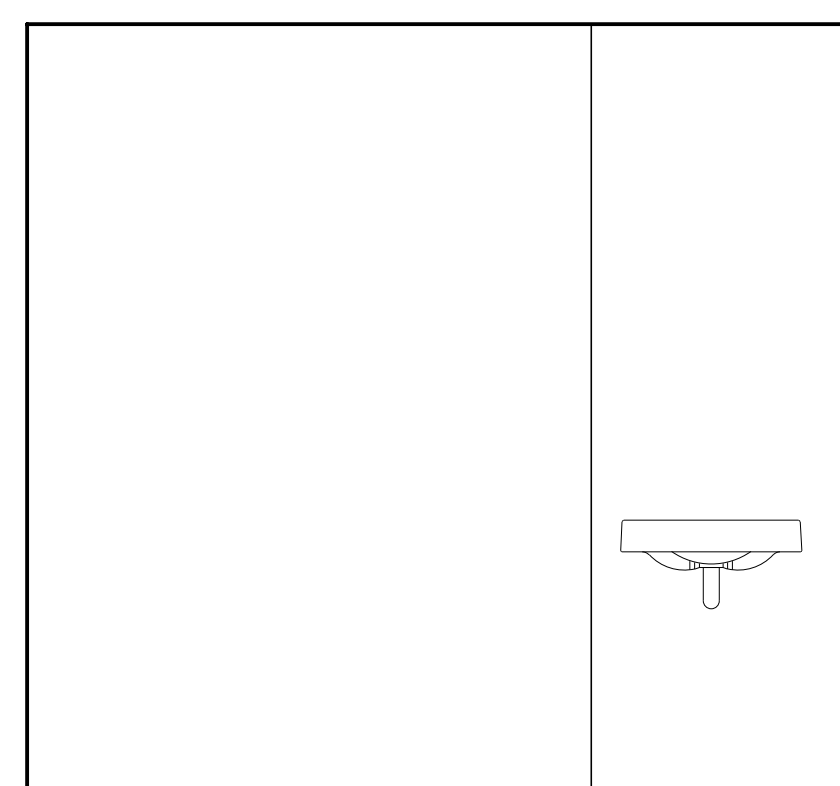


SOUTH

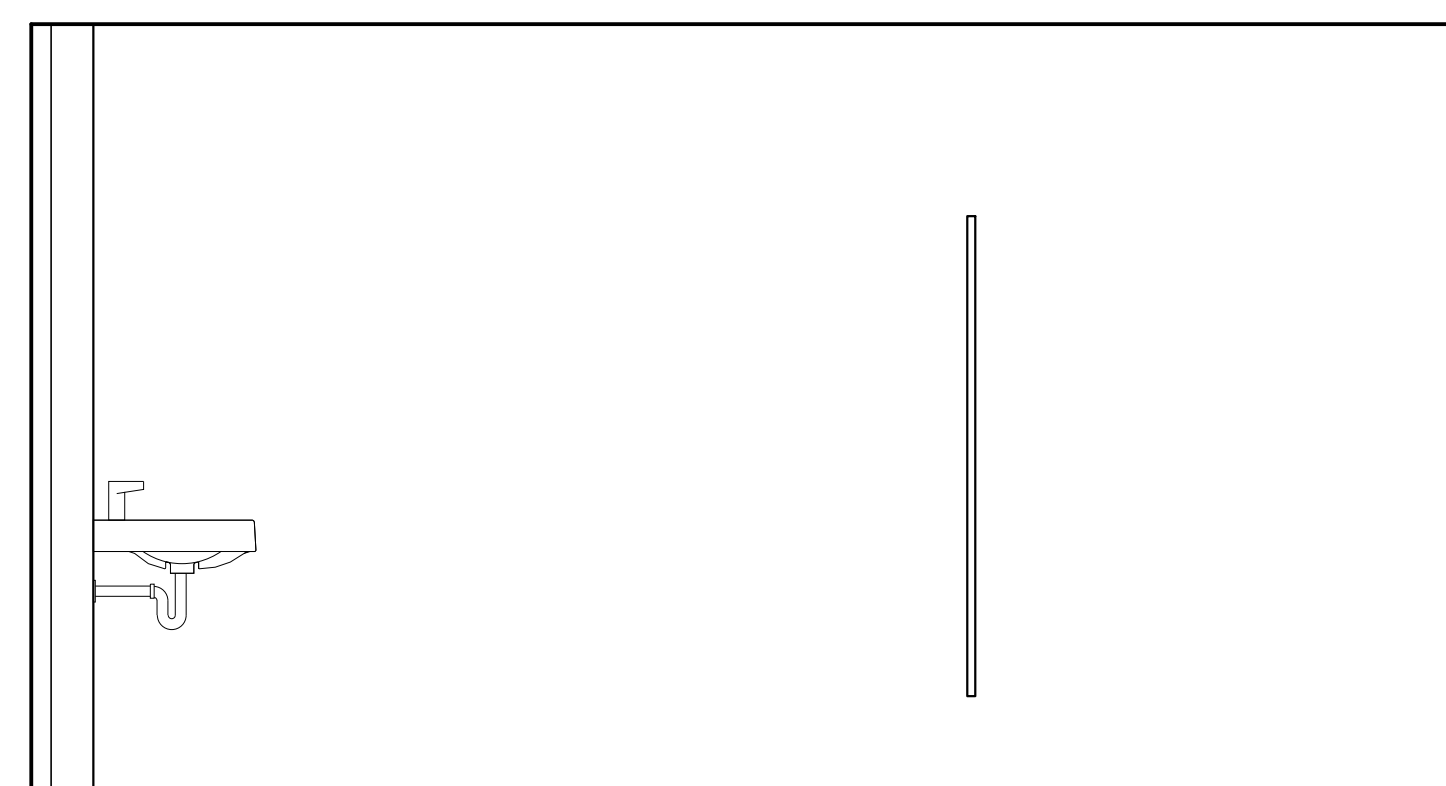


WEST

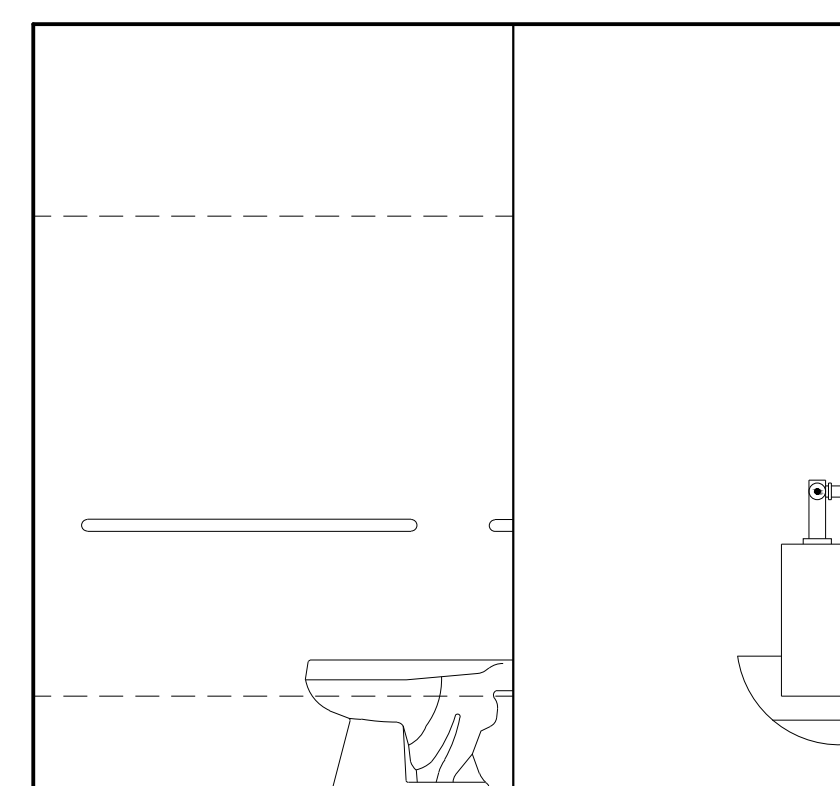
2 WOMEN'S 112
 SCALE: 1/2" = 1'-0"



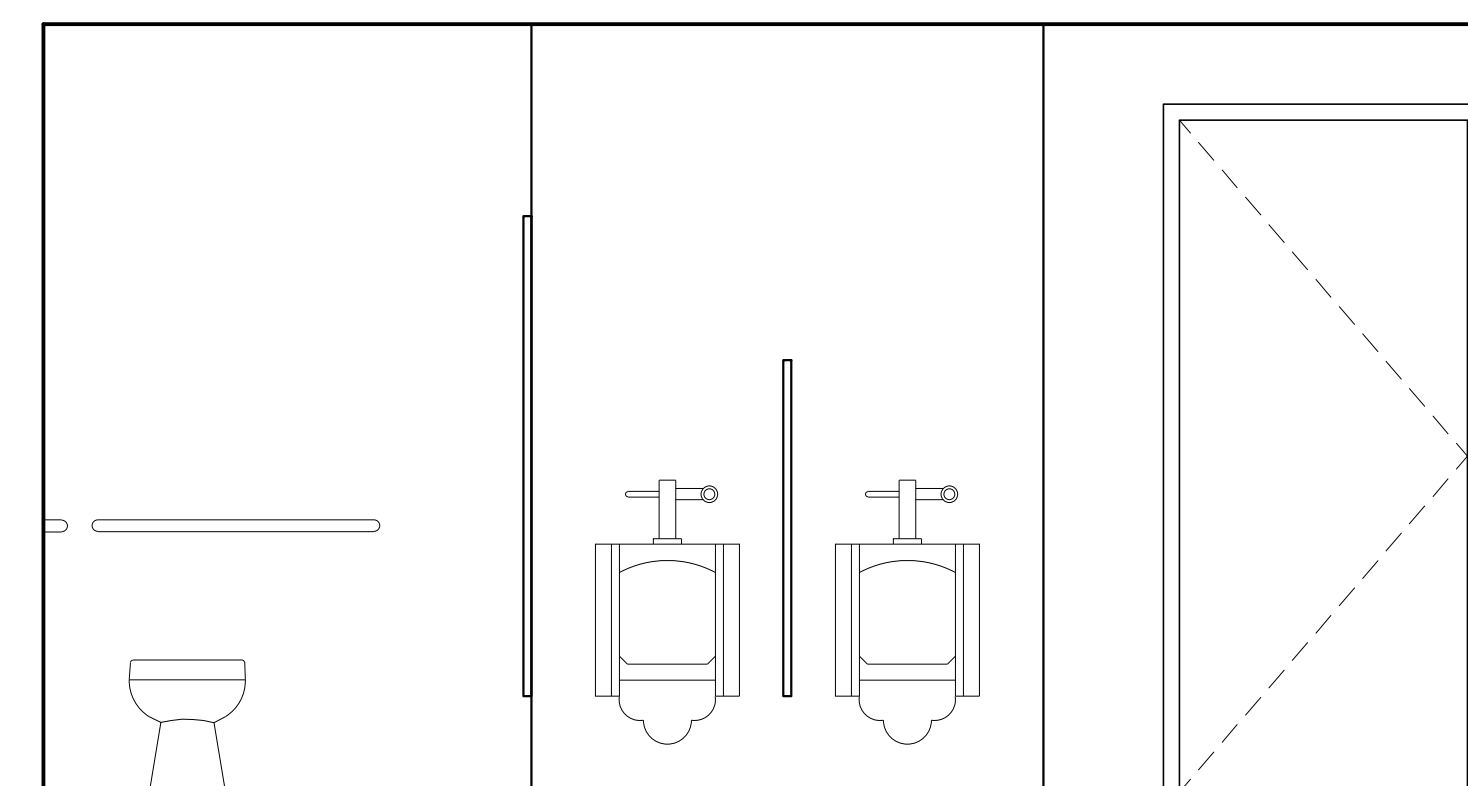
NORTH



EAST



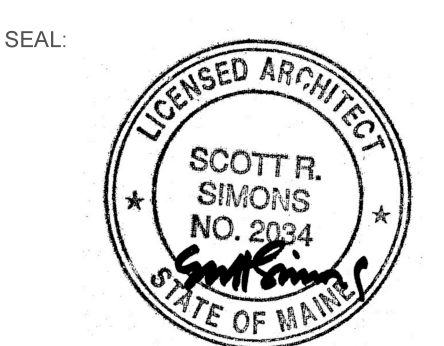
SOUTH



WEST

3 MEN'S 111
 SCALE: 1/2" = 1'-0"

PROJECT NAME:
CUSTOM HOUSE WHARF
 RENOVATIONS
 18 CUSTOM HOUSE WHARF
 PORTLAND, MAINE



THIS DRAWING IS THE PROPERTY OF SCOTT SIMONS ARCHITECTS (USA) AND IS NOT TO BE COPIED OR REPRODUCED IN PART OR WHOLE.
 2014 © SCOTT SIMONS ARCHITECTS, LLC

REVISION:

1	DATE
2	DATE
3	DATE
4	DATE
5	DATE
6	DATE

DATE OF ISSUE: MAY 30, 2014
 PROJECT NUMBER: 2014-0140
 STATUS: PERMITTING

SECTIONS AND ELEVATIONS

A102