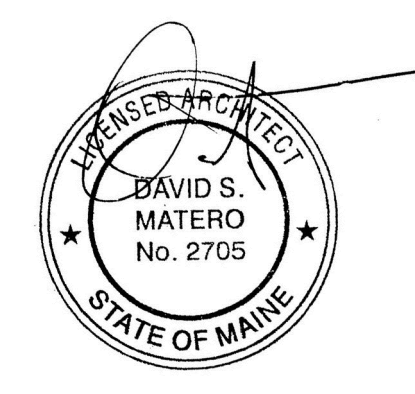


Consultants

- Revisions
- 02.05.13 State Fire Marshal and Portland Code Enforcement Comments
 - 03.25.13 Chimney and Fireplace

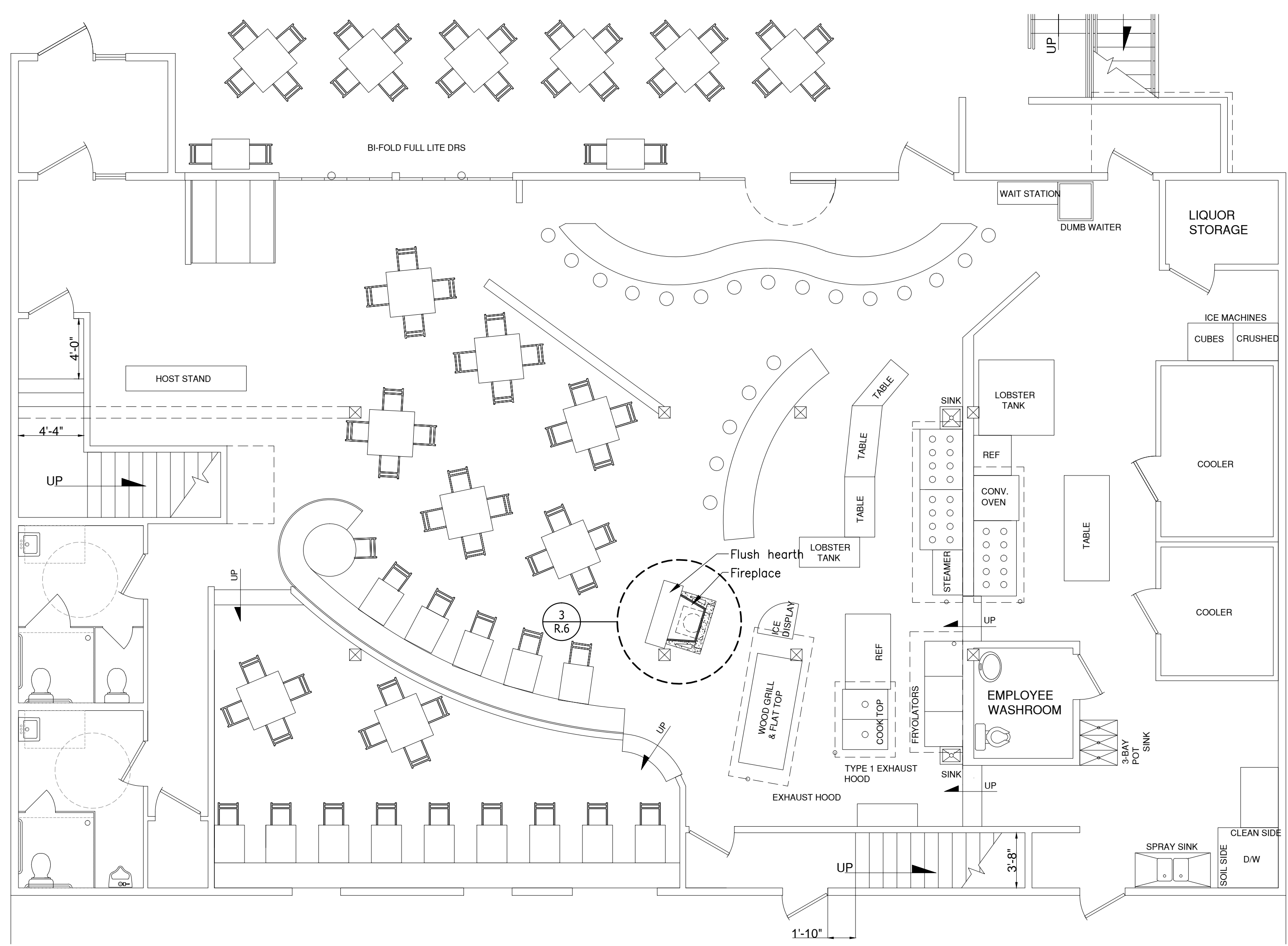
Fish Shack LLC
6 Custom House Wharf Street
Portland, Maine



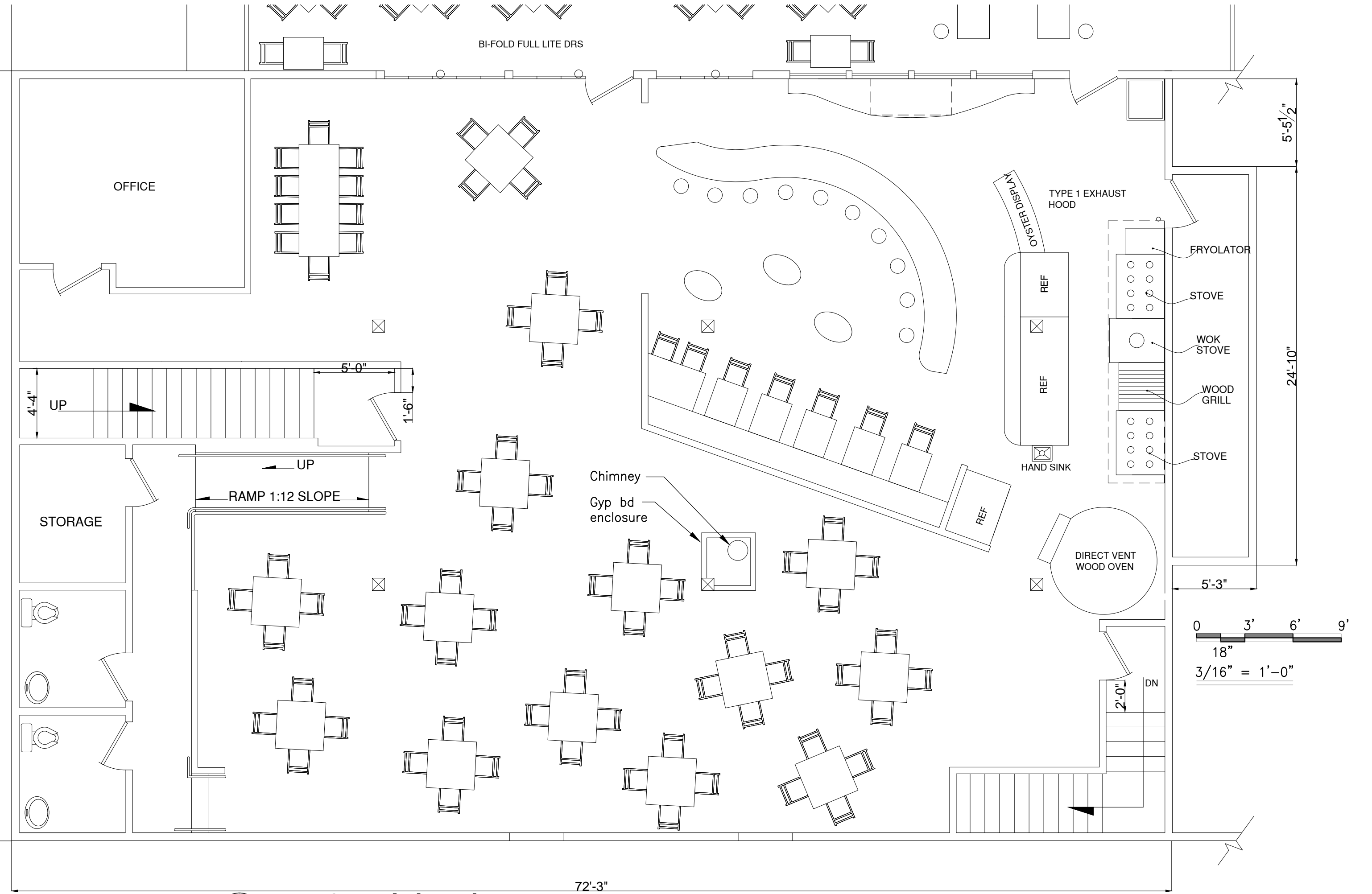
Job Number: 12.023
Date: 02.05.13
Scale: As Noted
Drawing Title:

Fireplace and
Chimney
Details

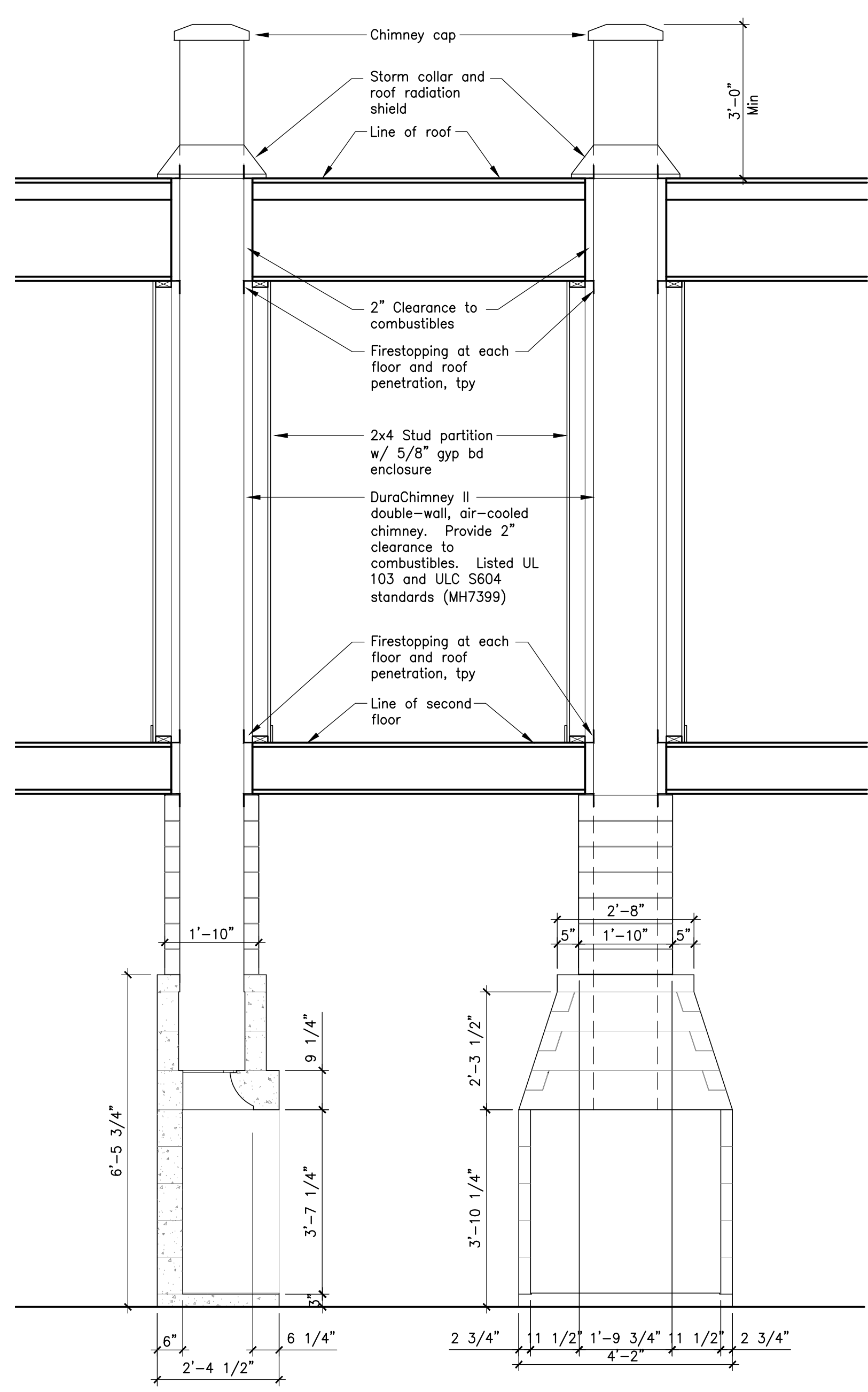
R.6
Issue for
Permit



1 Part First Floor Plan
Scale: 3/16" = 1'-0"



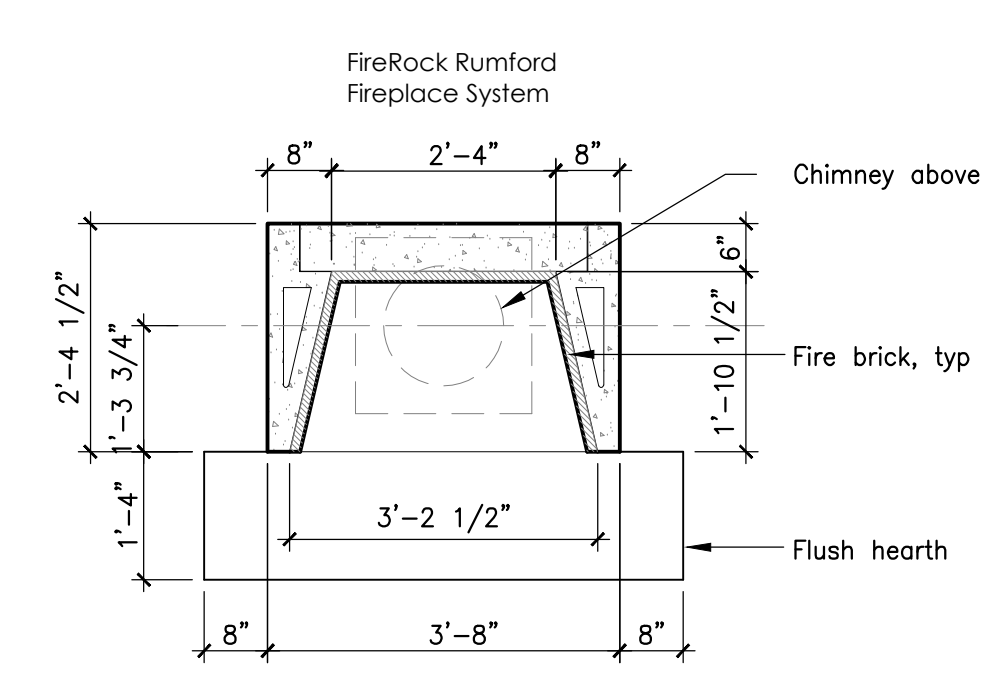
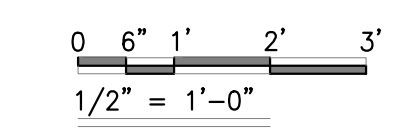
2 Part Second Floor Plan
Scale: 3/16" = 1'-0"



5 Section
Scale: 1/2" = 1'-0"

Chimney and Fireplace Notes

- Chimney and fireplace shall meet NFPA 211 Standards for Chimneys, Fireplaces, Vents and Solid Fuel-Burning Appliances.
- Rumford fireplaces shall be permitted, provided that depth of the fireplace is at least 12" and at least 1/3 the width of the fireplace opening, and the throat is at least 12" above the lintel and at least 1/20th the cross sectional area of the fireplace opening.
- A mechanical draft system shall be designed and connected by the fireplace/chimney contractor to provide
- Provide DuraChimney II factory-built, double-wall, air-cooled chimney system, UL 103 listed and ULCS604 standards (MH7399). Provide 2" to combustibles.
- Firestopping at each floor and roof penetration shall be galvanized steel not less than 26 ga. thick or of non-combustible sheet material not more than 1/2" thick.
- Chimney shall be smoke tested after construction and prior to use.



3 Firebox Plan
Scale: 1/2" = 1'-0"

4 Front Elevation
Scale: 1/2" = 1'-0"