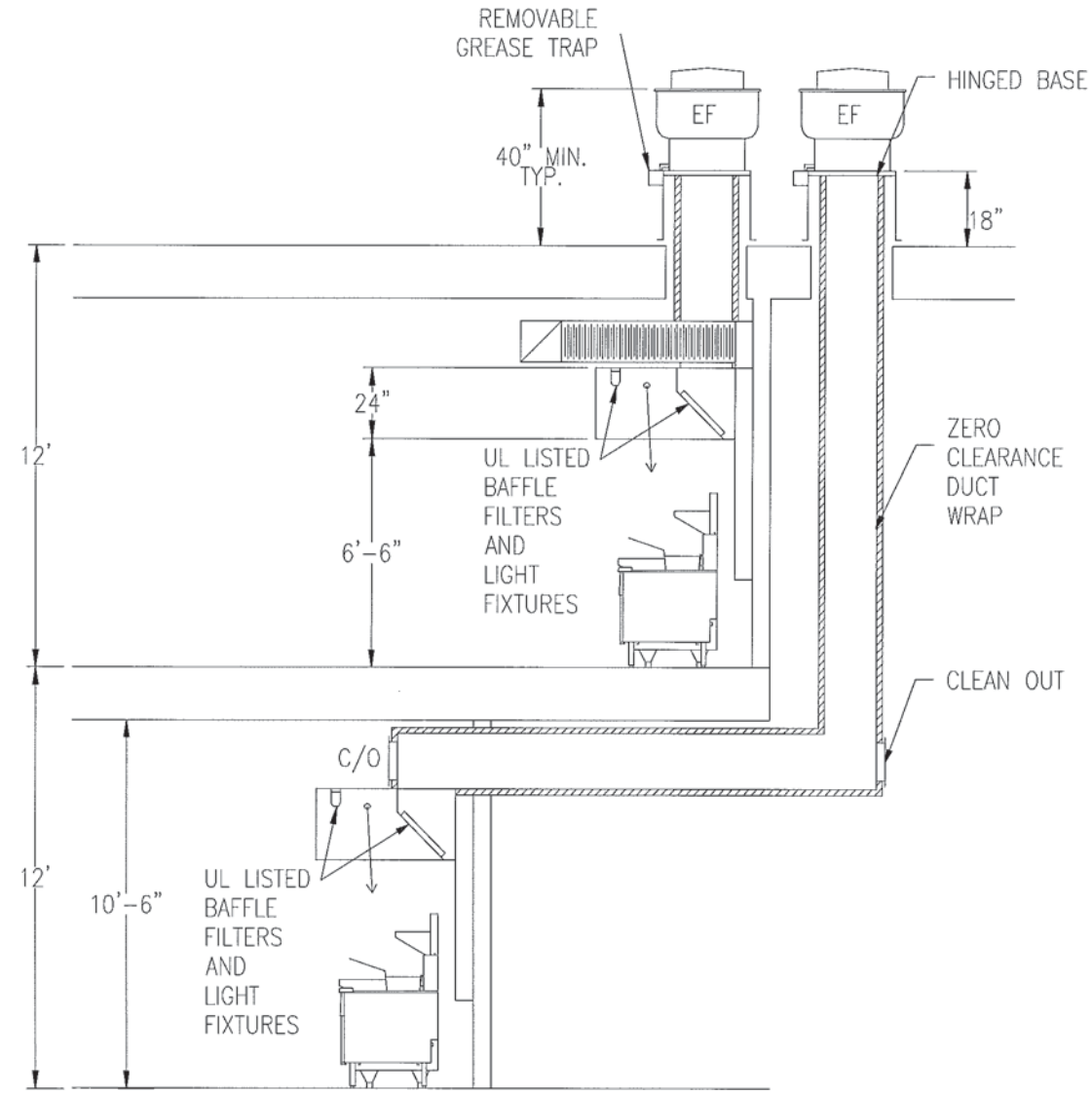


2-HR FIRE RATED WALL DETAIL



TYPICAL SIDE VIEW

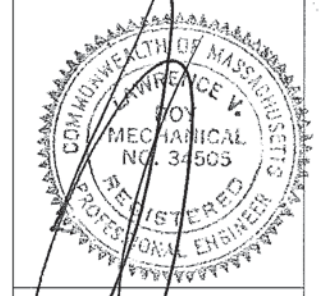
SEIDMAN
BROS. INC.

25 SIXTH STREET
CHELSEA, MA 02150

SCALE 3/16" = 1'-0"

DRN BY LISA HOANG

DATE MAR 19, 2013



JOB LOCATION

THE FISH SHACK
6 Custom House Wharf
Portland ME. 04101