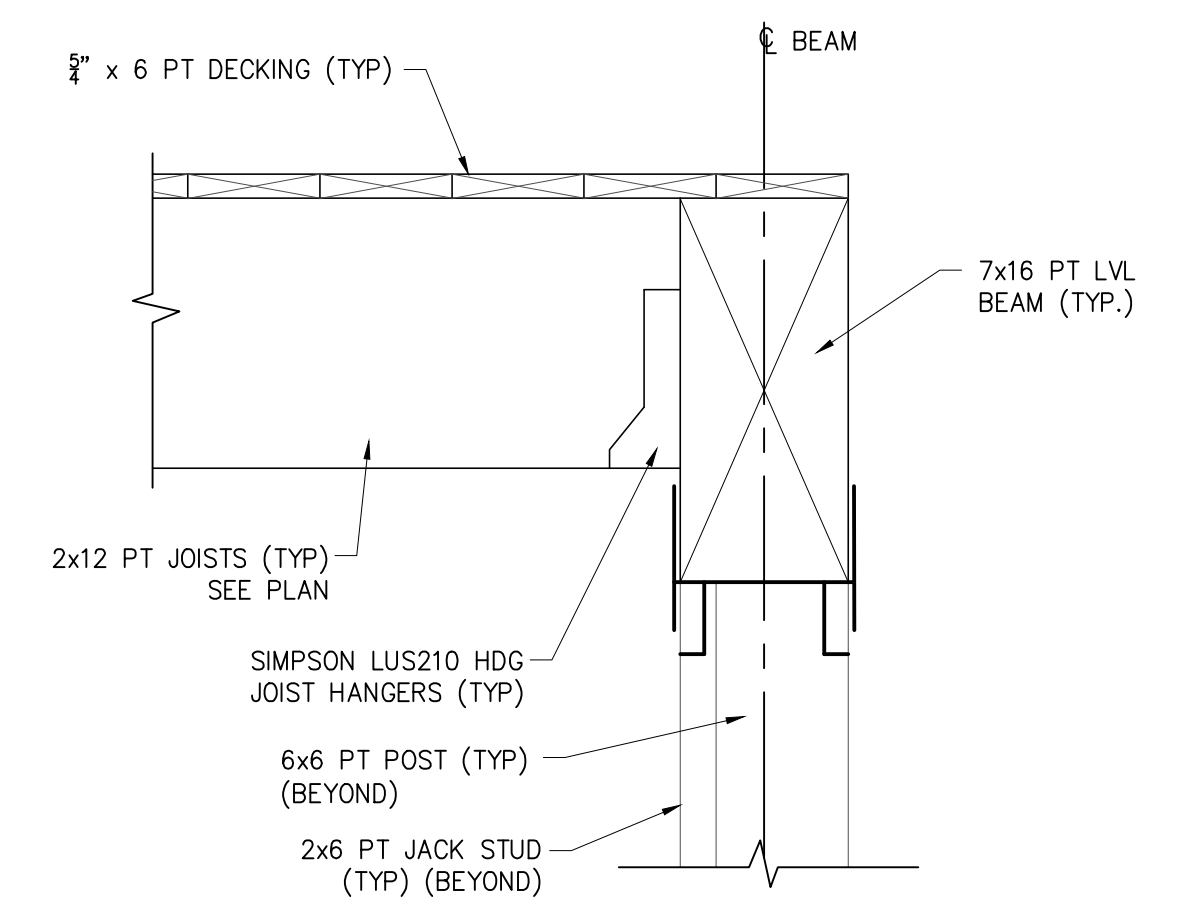
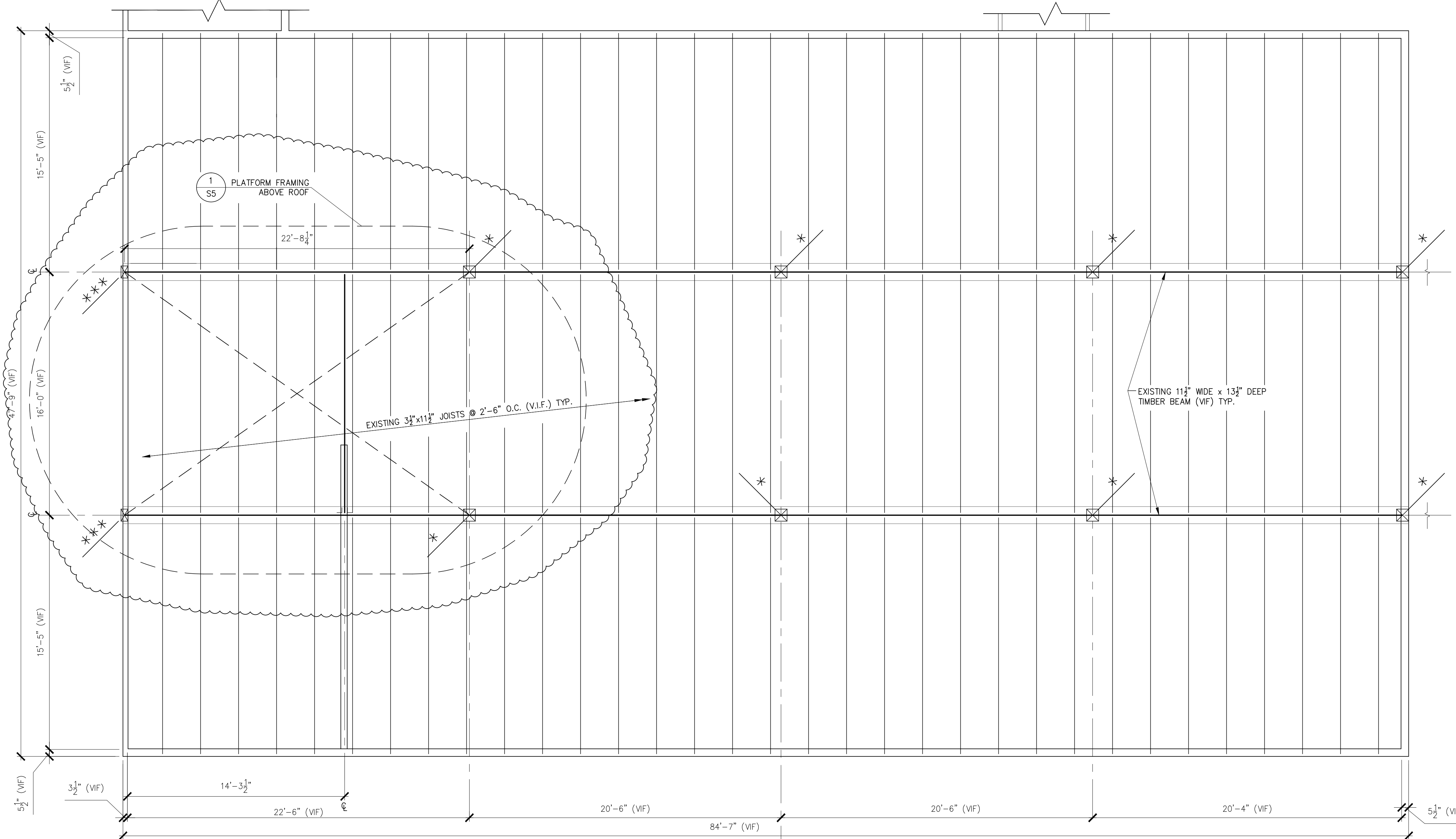


designed by: JHL	checked by: JHL, RJW	date	description	rev.
		10-19-12	FOR CONSTRUCTION	0
		1-4-13	ADD STAIR OPEN'G FRAM'G	1
		1-28-13	ADD STAIR OPEN'G FRAM'G	2
		2-7-13	2ND FLOOR EXTERIOR DECK	3
		2-29-13	MISC REVISIONS	4
		4-11-13	MECH. PLATFORM	5

6 CUSTOM HOUSE WHARF
 PORTLAND, MAINE
 ROOF REINFORCEMENT FOR MECH ROOFTOP UNITS
 ROOF FRAMING PLAN

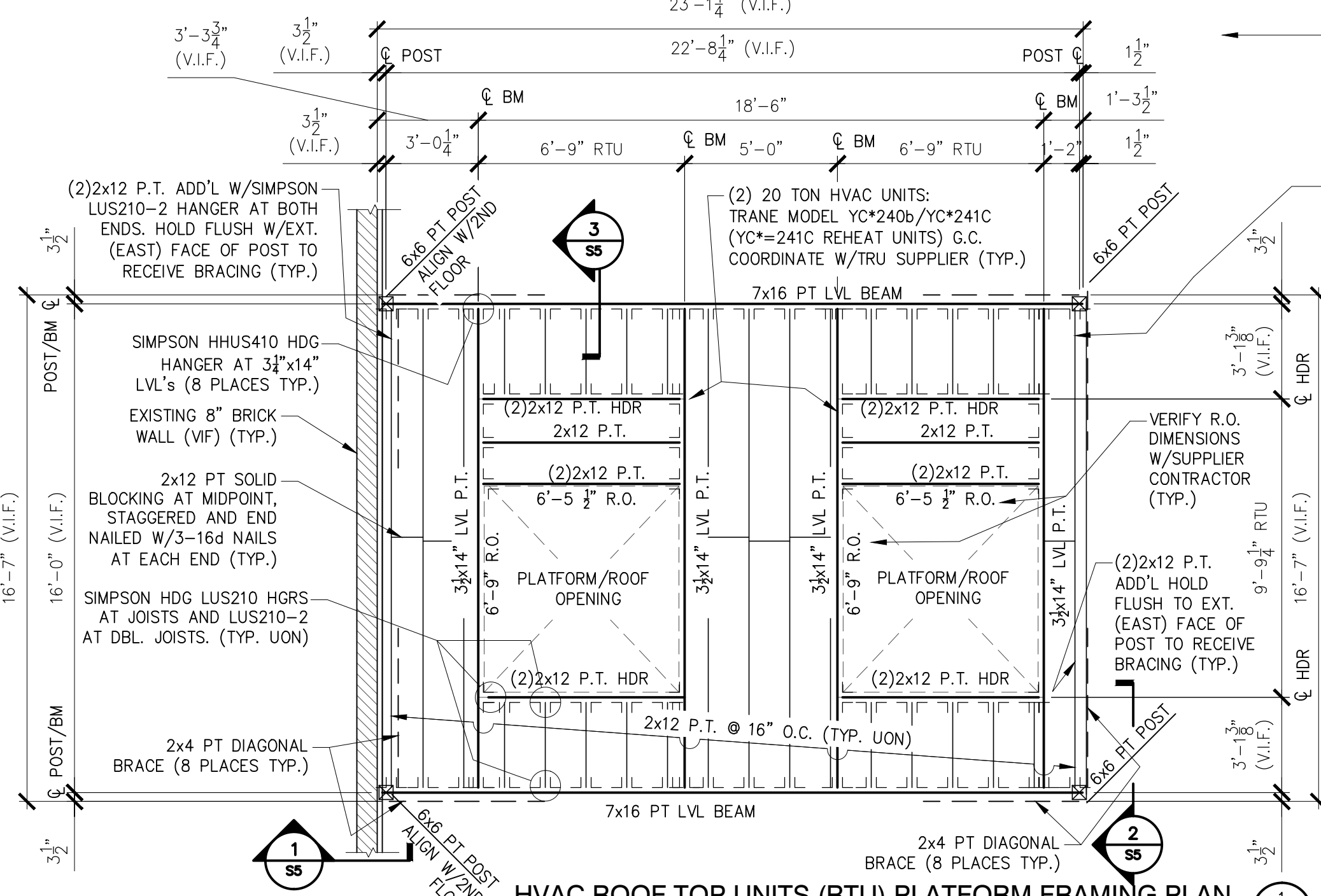


SECTION 3
 1 1/2" = 1'-0"

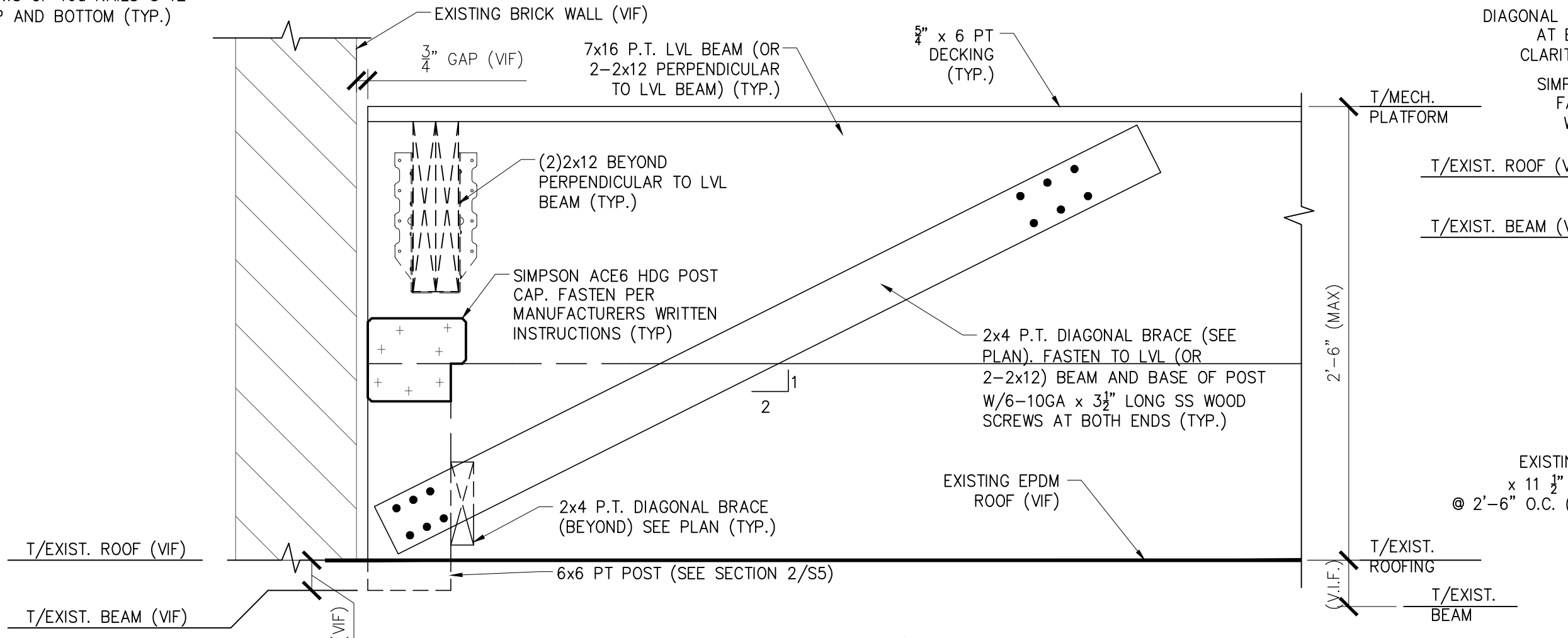
- NOTES:**
- * INDICATES: EXISTING 9 1/2" x 9 1/2" TIMBER POST TO REMAIN (V.I.F.) TYP.
 - *** INDICATES: EXISTING 5 1/2" x 9 1/2" TIMBER POST TO REMAIN (V.I.F.) TYP.
 - SEE ARCH DWS FOR OPENINGS IN EXTERIOR WALLS

EXISTING ROOF FRAMING PLAN (FOR ORIENTATION ONLY)
 1/4" = 1'-0"

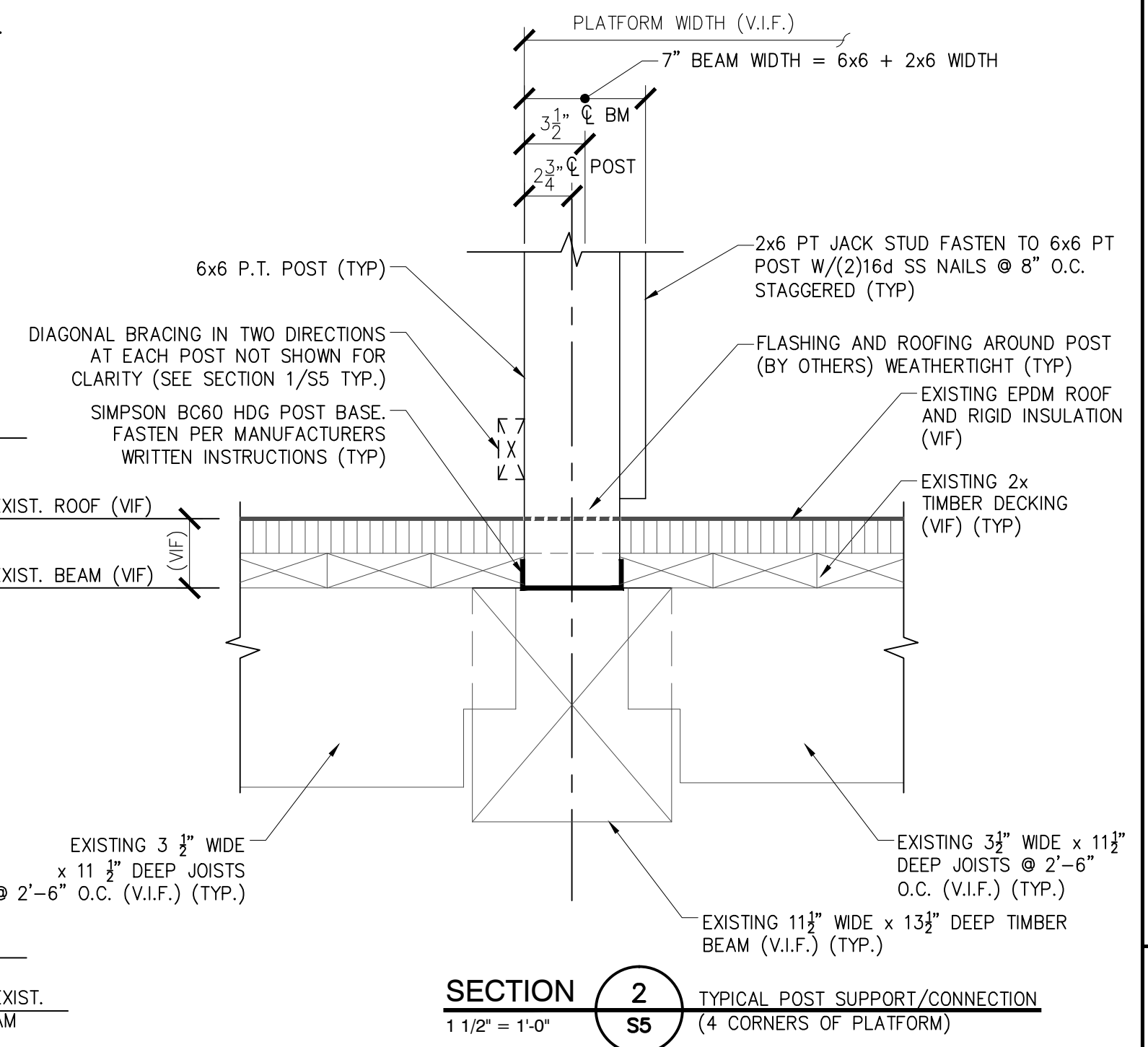
FASTEN INTERIOR 2x12 (OF DOUBLE 2x12) TO LVL W/SIMPSON LUS210 HDG HANGER AT BOTH ENDS. FASTEN EXT. 2x12 (OF DOUBLE 2X12) TO INT. 2x12 W/2-ROWS OF 16d NAILS @ 12" O.C. TOP AND BOTTOM (TYP.).



- NOTES:**
- G.C. SHALL VERIFY AND COORDINATE ALL MECHANICAL ROOF TOP UNIT (RTU) DIMENSIONS, CLEARANCES, AND REQUIREMENTS W/STRUCTURE PRIOR TO CONSTRUCTING PLATFORM (TYP.).
 - G.C. SHALL BE RESPONSIBLE FOR ROOF PENETRATION AND RE-ROOFING WEATHERTIGHT (TYP.).
 - G.C. SHALL USE STAINLESS STEEL (SS) NAILS AND SCREWS. (TYP.)
 - G.C. SHALL USE HOT DIP GALVANIZED (HDG) CONNECTORS, HANGERS, CAPS, BASES, AND BOLTS (TYP.).



SECTION 1
 1 1/2" = 1'-0"



SECTION 2
 1 1/2" = 1'-0"

THESE DRAWINGS HAVE BEEN DEVELOPED BY L&L STRUCTURAL ENGINEERING SERVICES, INC. FOR THE TITLED SET ONLY. THE DRAWINGS ARE THE SOLE PROPERTY OF L&L ENGINEERING SERVICES, INC. AND THEY SHALL NOT BE USED, LENT, COPIED OR ALTERED WITHOUT THE WRITTEN CONSENT OF L&L STRUCTURAL ENGINEERING SERVICES, INC.