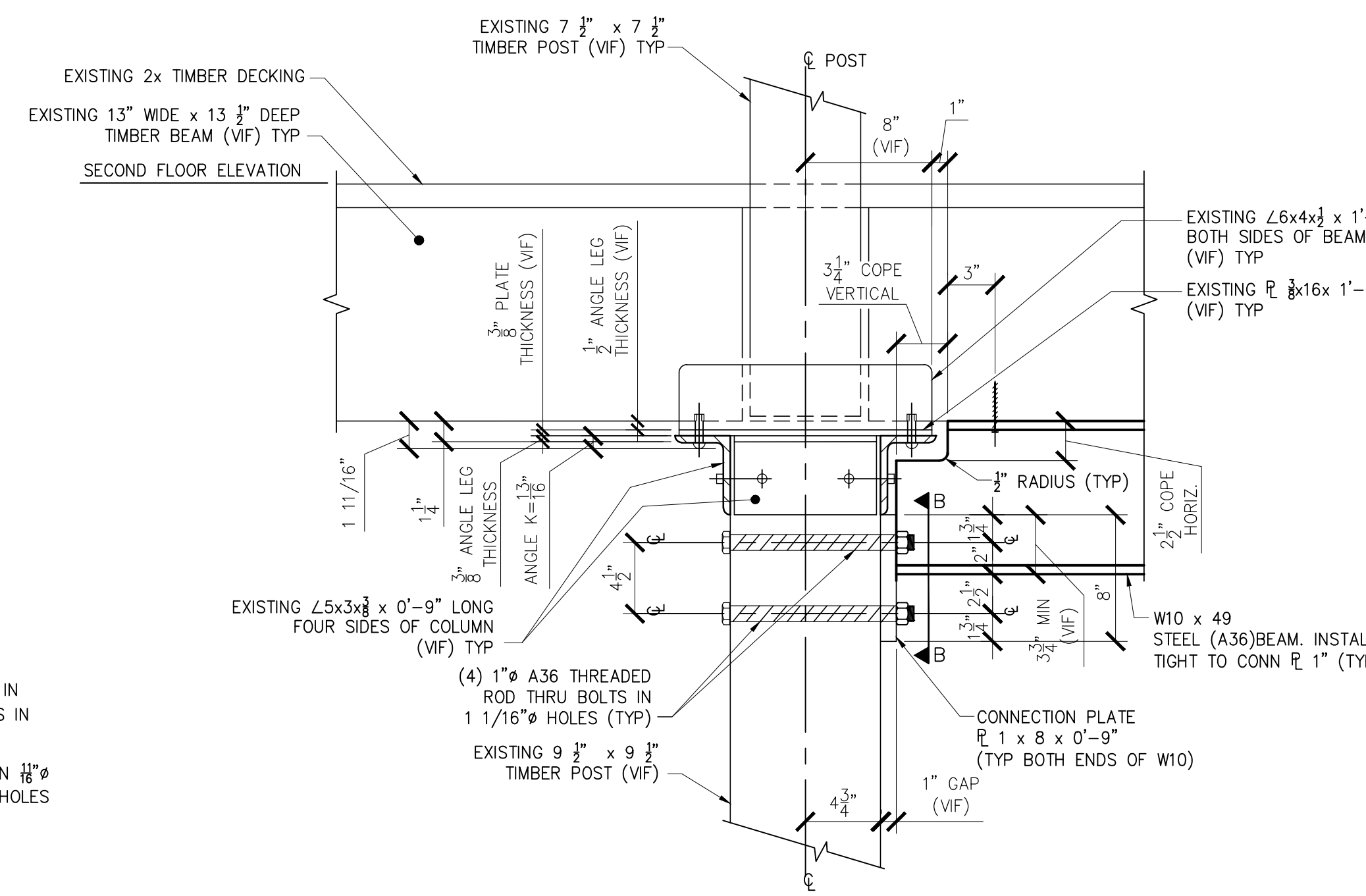
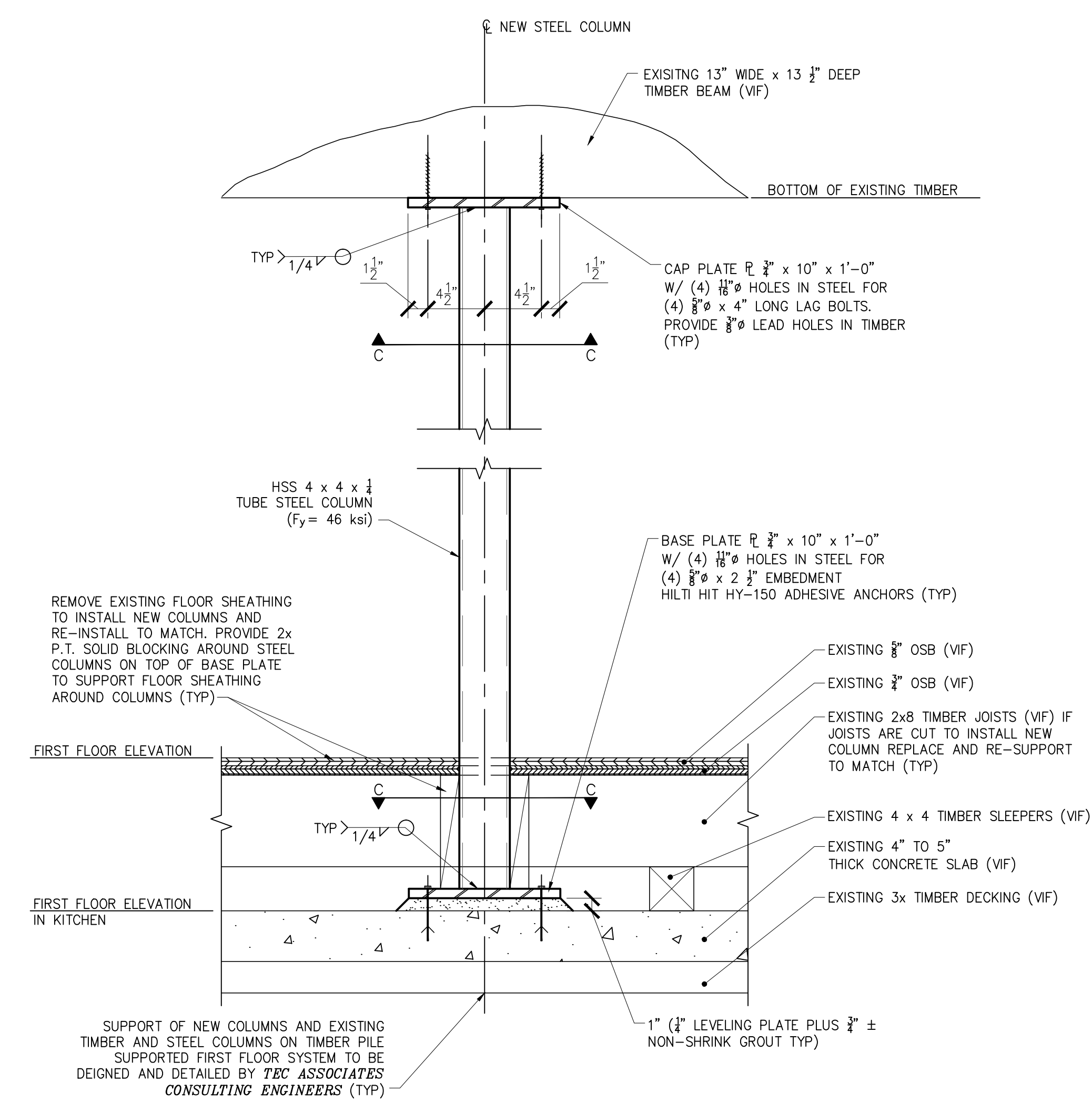


NOTE:
OWNER'S ENGINEER SHALL CONFIRM
ADDITIONAL IMPOSED LOAD FROM
SECOND FLOOR IS ACCEPTABLE ON
FIRST FLOOR FRAMING AS SHOWN.
BEARING WALL ABOVE = 360 PLF
AND POST LOAD ABOVE = 3,000 #

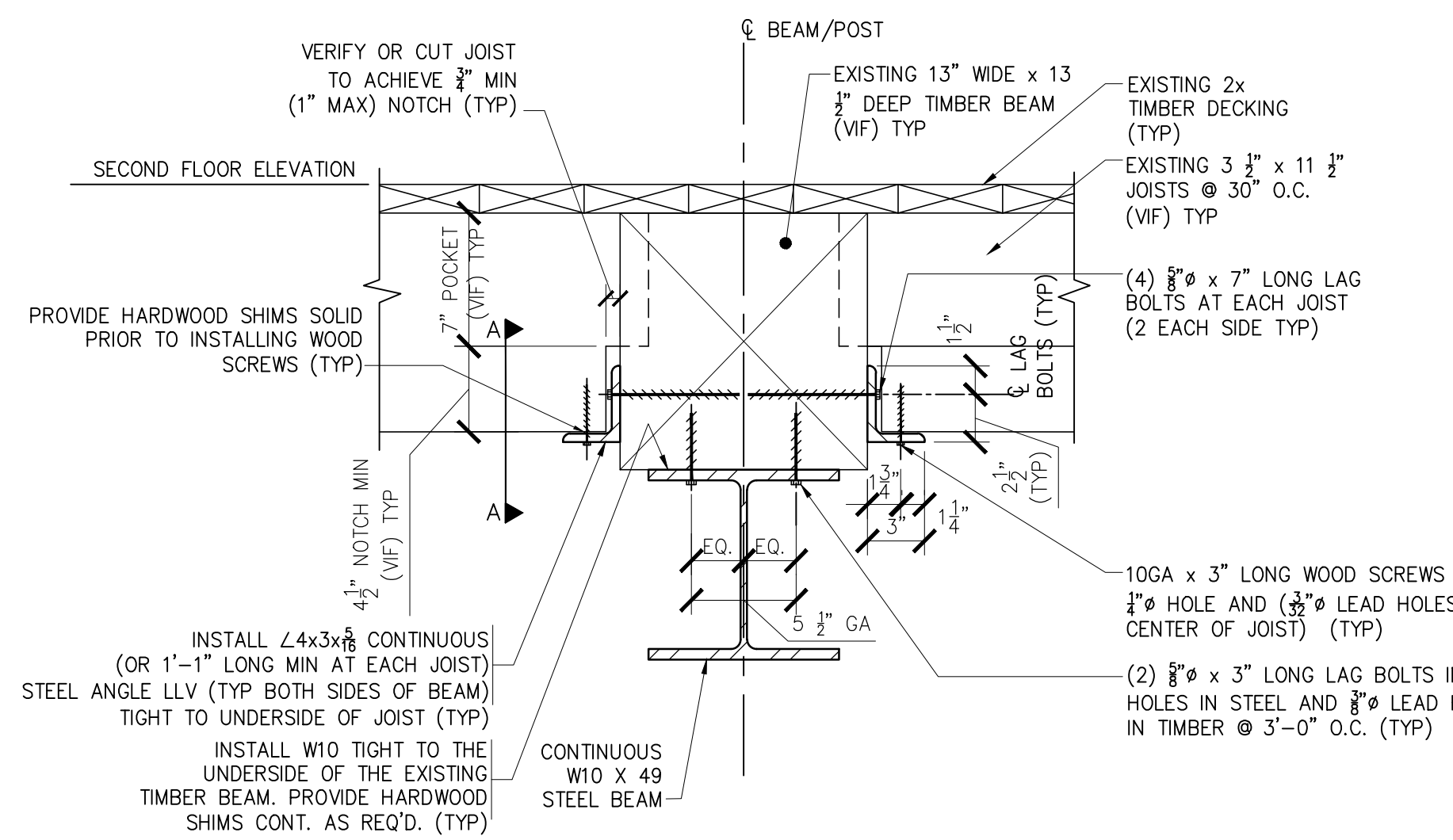
PARTIAL FIRST FLOOR FRAMING PLAN
1/4" = 1'-0"



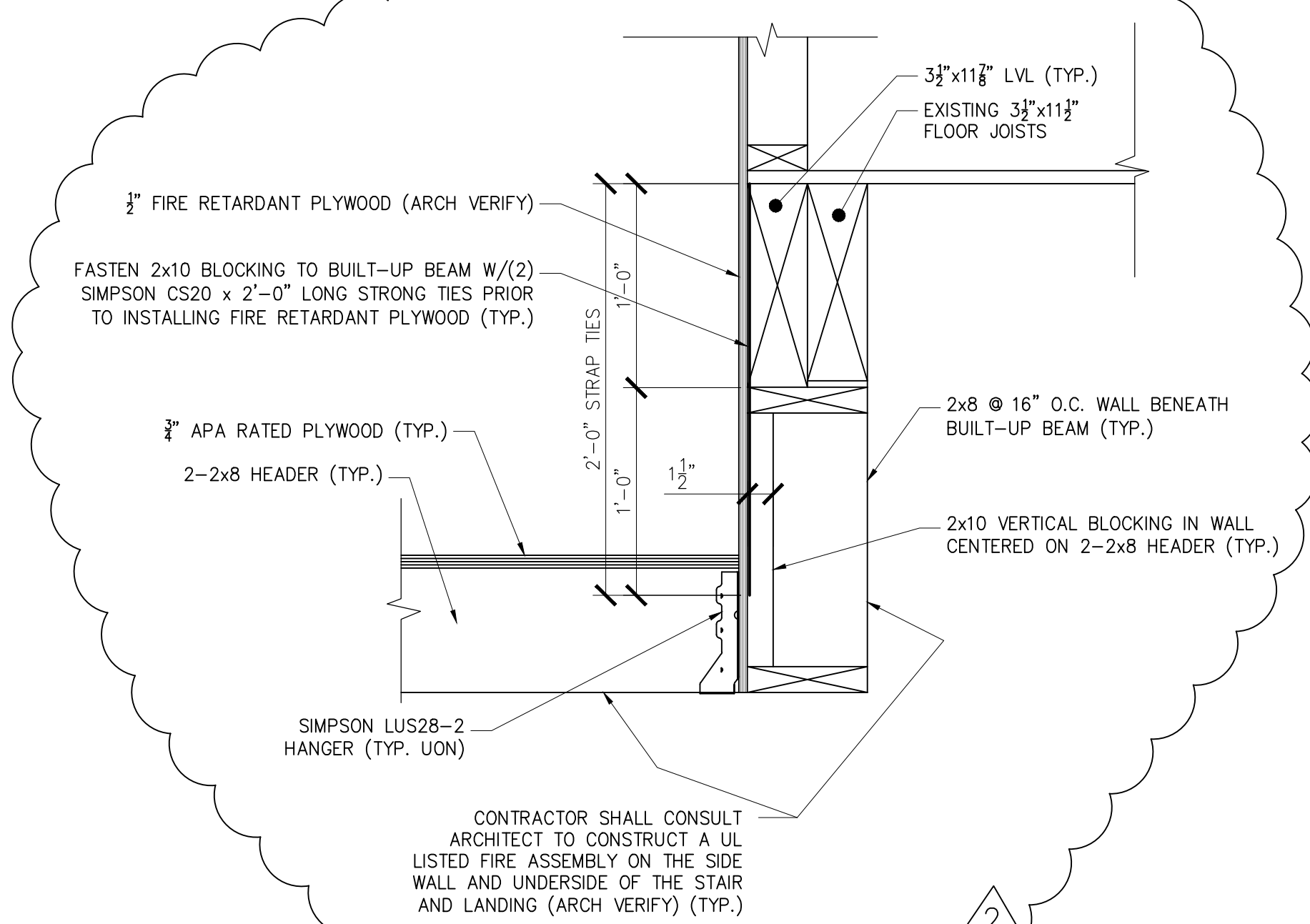
SECTION 2
1 1/2" = 1'-0"



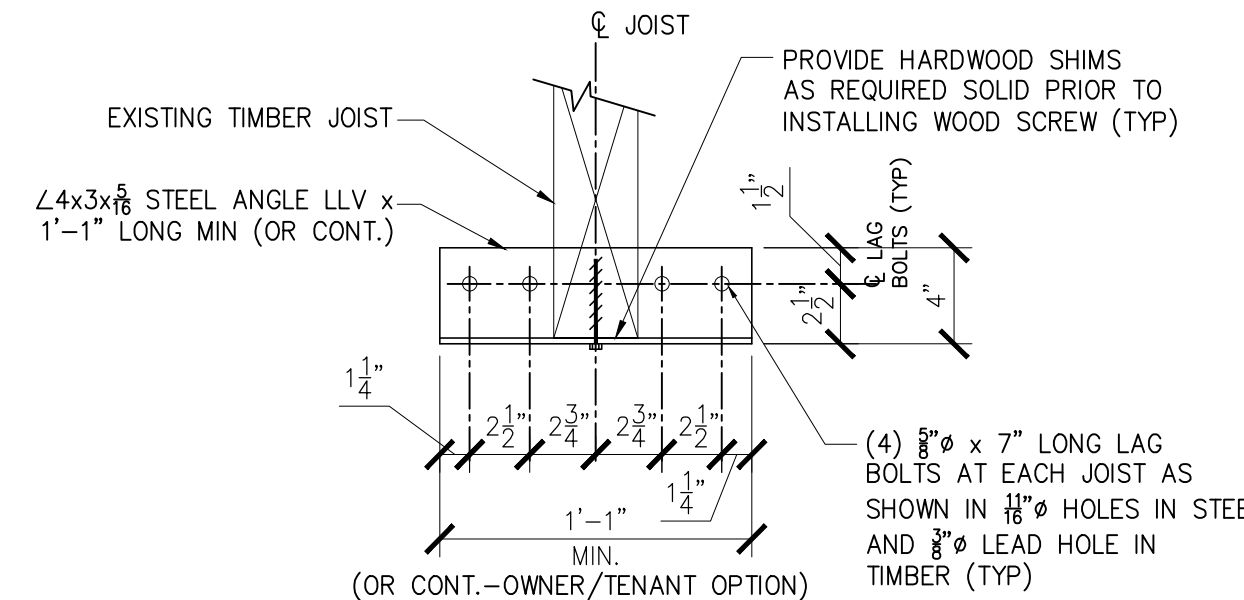
SECTION 3
1 1/2" = 1'-0"



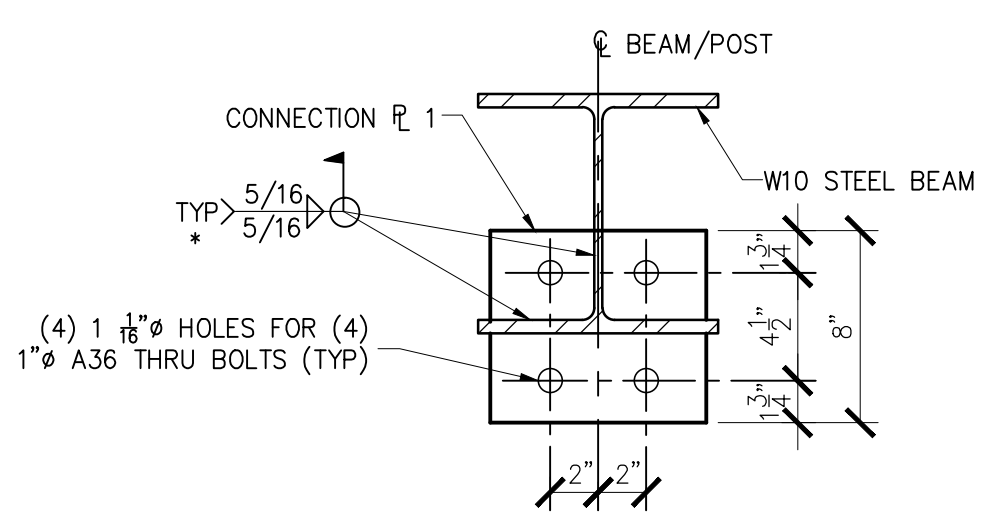
SECTION 1
1 1/2" = 1'-0"



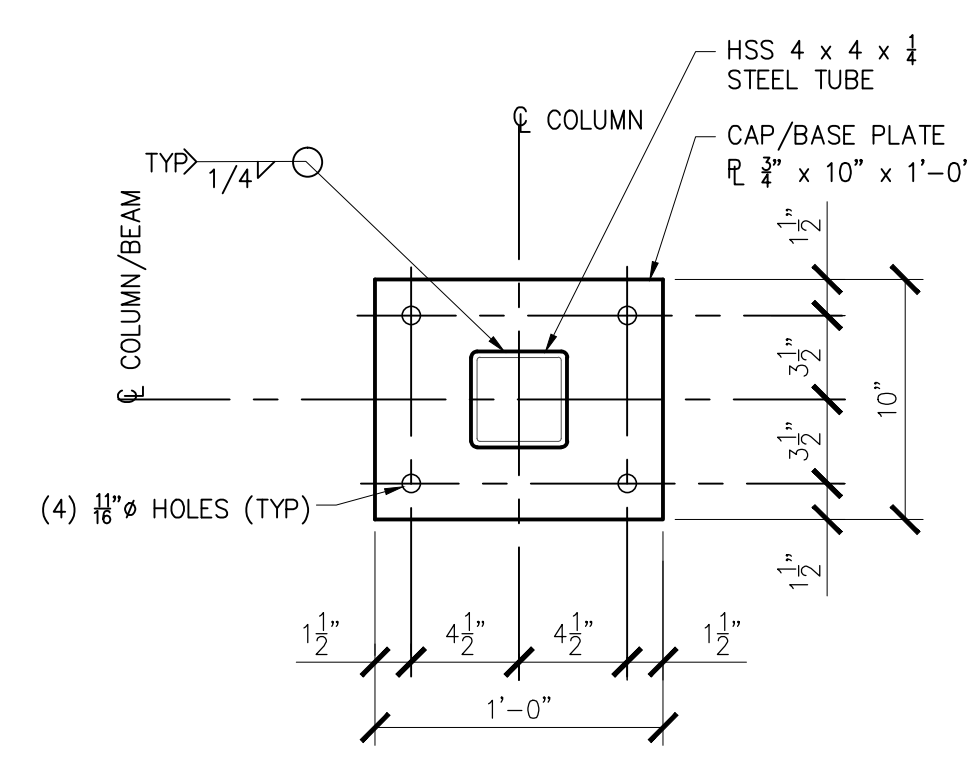
SECTION 4
1 1/2" = 1'-0"



SECTION A - A
1 1/2" = 1'-0"



SECTION B - B
1 1/2" = 1'-0"

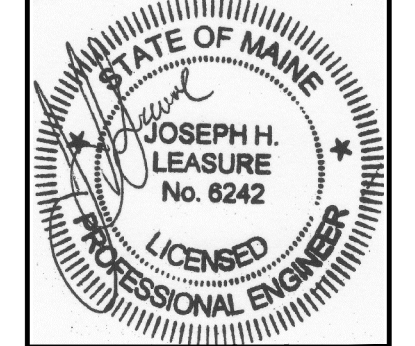


SECTION C - C
1 1/2" = 1'-0"

* NOTE INCREASE FILLET WELD LEG SIZE
INDICATED BY GAP BETWEEN END OF W10 BEAM
AND FACE OF CONNECTION PLATE 1" (TYP)

THESE DRAWINGS HAVE BEEN DEVELOPED BY L&L STRUCTURAL
ENGINEERING SERVICES, INC. FOR THE TITLED SET ONLY. THE
DRAWINGS ARE THE SOLE PROPERTY OF L&L ENGINEERING
SERVICES, INC. AND THEY SHALL NOT BE USED, LOANED, COPIED
OR ALTERED WITHOUT THE WRITTEN CONSENT OF L&L
STRUCTURAL ENGINEERING SERVICES, INC.

**L & L STRUCTURAL
ENGINEERING SERVICES, INC.**
SIX Q. STREET
SOUTH PORTLAND, MAINE 04106
PHONE: (207) 767-4830
FAX: (207) 799-6432



rev.	date	description	designed by	checked by	drawn by
0	10-15-12	FOR CONSTRUCTION	JHL	AKB	JHL
1	1-4-13	ADD STAIR OPEN'G FRAM'G	JHL	JHL	JHL
2	1-28-13	ADD STAIR OPEN'G FRAM'G	JHL	JHL	JHL
	10-15-12				
	1-28-13				

plot date: 1-28-13
project #: 2012-123

6 CUSTOM HOUSE WHARF
PORTLAND, MAINE
SECOND FLOOR REINFORCEMENT
SECTIONS AND DETAILS

S2