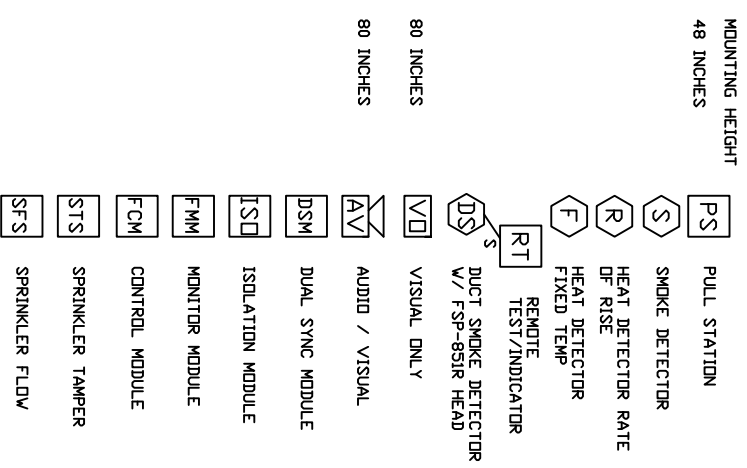


*Important! Securing Screw
MUST be installed in top of
Device on Exceder series HSR
and STR Audio Visuals.

Important! Wiring connections
must have correct polarity.

LEGEND



This drawing is an accurate layout from provided floor plans and information available at time of design. Circuiting has been designed for maximum use of resources available with supplied equipment. Deviations from this design must be noted and approved prior to final acceptance. Note Signal Circuit 1 has a 2.5 amp load limitation, Circuits 2-3-4 have a combined load limitation of 2.5 amps. REMOTE power supply has a 3.0 amps limitation per circuit and an 8.0 amp combined limitation for all 4 circuits. Changes in circuiting must incorporate equipment specifications/limitations (see chart below for current vs. candela rating. Distances and ratings shown are for wall applications ONLY, call Norris, Inc. for ceiling devices when applicable.) Twisted-Shielded Cable is NOT recommended for use on SLC wiring for this panel. Untwisted cable inside/outside conduit has a 100' max distance sizes 12-18AWG.

Room Size	Candela Rating	Load (amps)
20' x 20'	15 cd	0.08 amps
28' x 28'	30 cd	0.10 amps
45' x 45'	75 cd	0.15 amps
54' x 54'	110 cd	0.20 amps

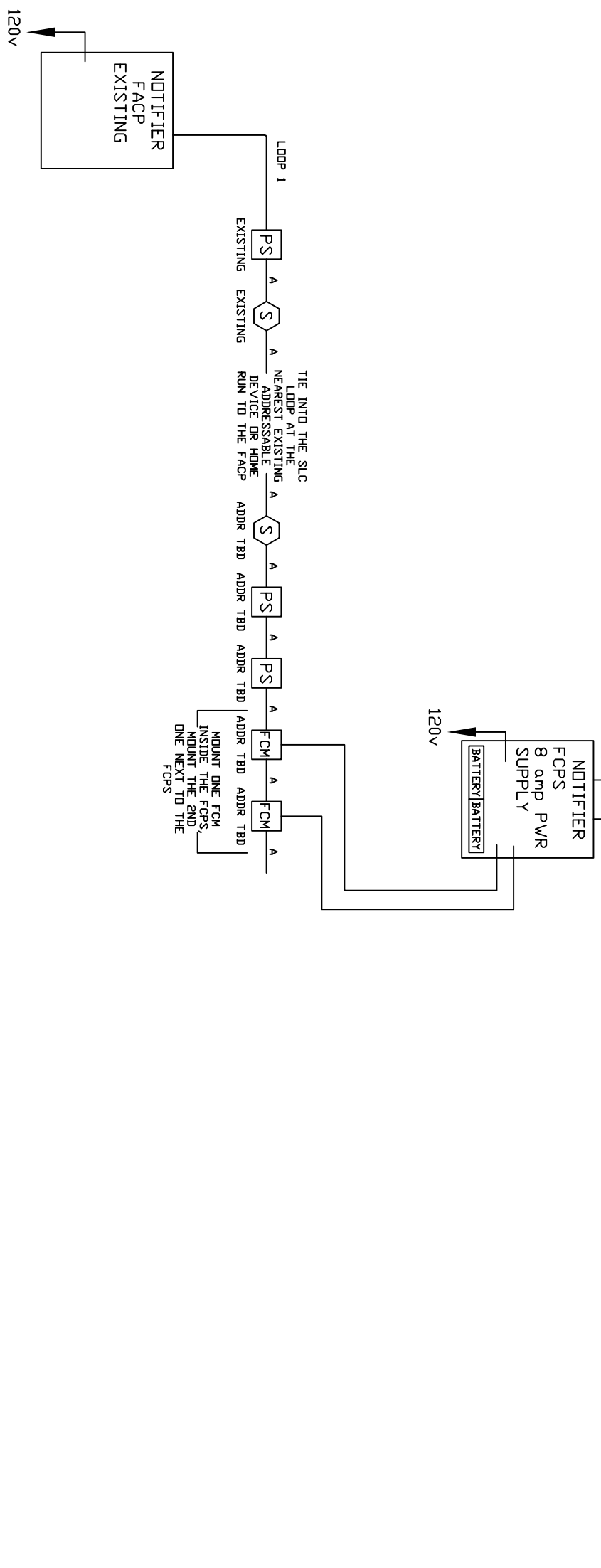
- 4.7k END OF LINE RESISTOR (Panel Circuits)
- A 1 PR #12 AVG TWISTED PAIR CABLE(Up to 10,000 ft)
 - A 1 PR #14 AVG TWISTED PAIR CABLE(Up to 8,000 ft)
 - A 1 PR #16 AVG TWISTED PAIR CABLE(Up to 4,500 ft)
 - B 1 PR #12 AVG FPL CABLE
 - D 1 PR #14 AVG FPL CABLE
 - E 1 PR #16 AVG FPL CABLE
 - F 2c #12 AVG CABLE
 - G 2c #14 AVG CABLE
 - H 2c #16 AVG CABLE
 - K 1 CAT5 CABLE
 - L 1 PR #16 AVG TWISTED SHIELDED CABLE

REVISION 2	DATE:
REVISION 1	DATE:
REVISION 0 SUBMITTAL	DATE: 9/27/2013

PROJECT NAME
ETHAN ALLEN 145 COMM.
PORTLAND, MAINE

SCALE NTS
BY: **ZAD**
CK BY:

2257 BRADDAWAY, SO PORTLAND, MAINE



Important! Duplicate Addresses on devices of different style is NOT an error in design or printing. All electronic devices MUST be placed in a heated room with temperature above 32 degrees

