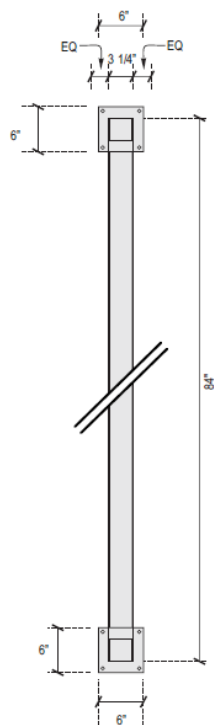


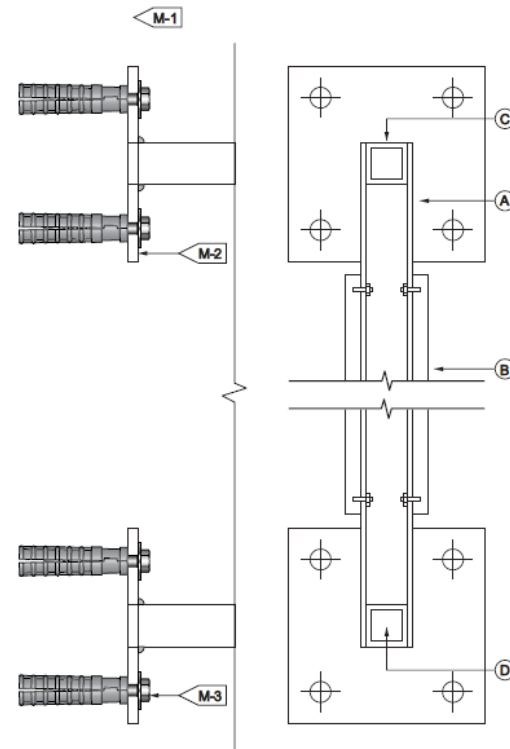
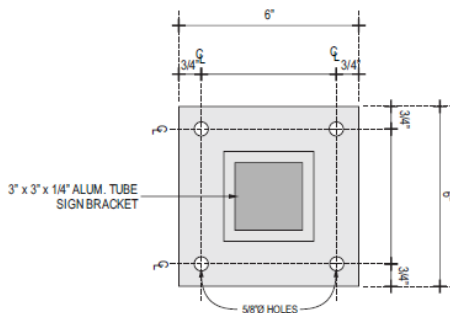
West Elm Sign C Mounting Details

C

C-1 EXTERNAL PLATE DETAILS
Scale: 3/4"=1'-0"



C-2 MOUNTING PLATE - DETAIL
Scale: 3"=1'-0"



END VIEW | DETAIL
Scale: NTS



Client & Location

west elm

164 Middle St
Portland ME

Customer Approval Signature

Revisions

Drawing ID

Date
5.31.17

Page #

Drawn By

Sales Rep

W/O #