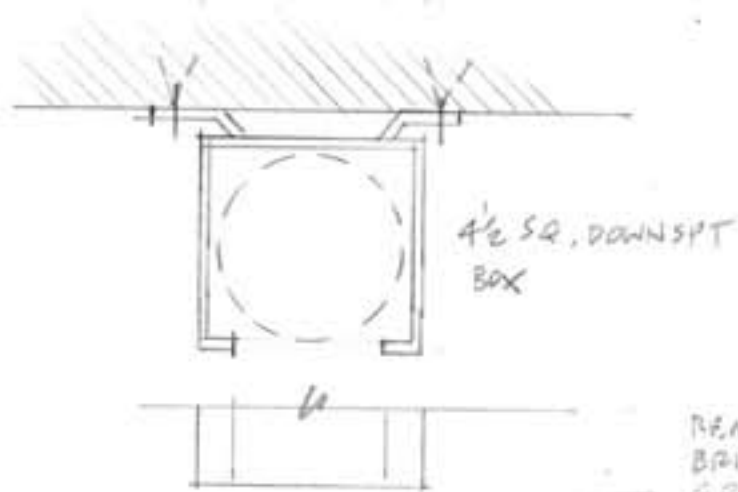
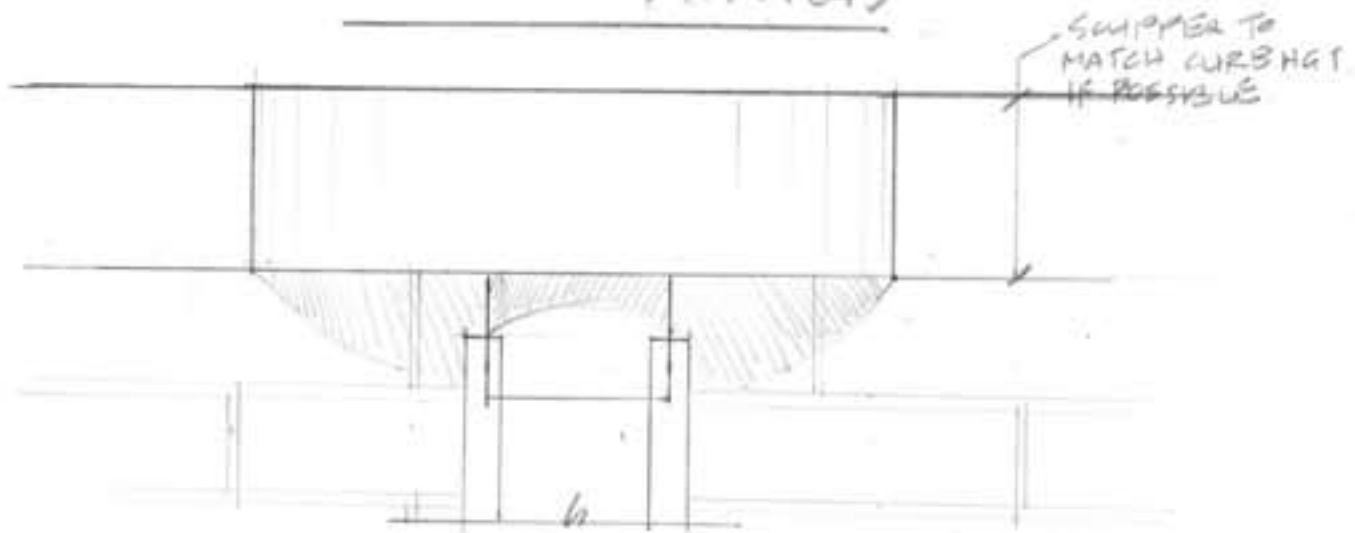
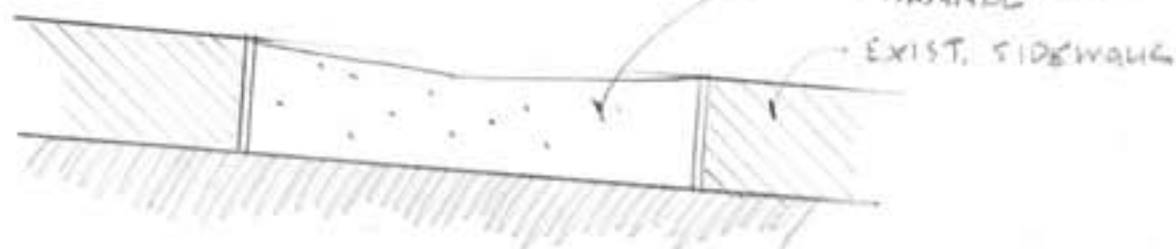


3" SCUPPER DTL. X (4)



REMOVE/CUT BRICK & INSTALL GRANITE DRAIN CHANNEL



164 MIDDLE ST - SCUPPER/DOWNSPOUT SKETCH

PREPARED BY 164 LLC BY WHIPPLE CALLENBACH ARCHITECTS  
5/15/14

