



**SILENT  
KNIGHT**

by Honeywell

**SK-Relay**

## Intelligent Relay Module

The SK-Relay Module is intended for use in intelligent, two-wire systems where the individual address of each module is selected using the built in rotary switches.

For more information about the IntelliKnight system, or to locate your nearest source, please call 800-328-0103.

### Description

The SK-Relay is an addressable relay module for use with Silent Knight IntelliKnight series fire alarm control panels (FACPs).

The SK-Relay allows a Silent Knight FACP to switch discrete contacts by code command. The relay contains two isolated sets of Form C contacts, which operate as a DPDT switch. No supervision is provided for the notification appliance circuit.

The SK-Relay contacts can be used for virtually any normally open or normally closed application. Each SK-Relay is programmed with a unique signaling line circuit (SLC) loop address. When an event occurs that controls the SK-Relay, the relay is triggered by the FACP.

### Features

- Two sets of Form C contacts
- Rotary address switches for fast installation
- Contacts are rated for a variety of amps (see Specifications)
- Panel controlled status LED that flashes green in normal state and is solid red in alarm
- Relay programming is completely flexible—can be mapped to zone conditions
- Polling LED visible through the cover plate
- Attractive ivory cover plate
- SEMS screws for easy wiring
- UL Listed



**SK-Relay**

### Installation

The SK-Relay mounts directly into a 4" square electrical box. The box must have a minimum depth of 2-1/8". A surface mount electrical box (System Sensor® PN SMB500) is available from Silent Knight

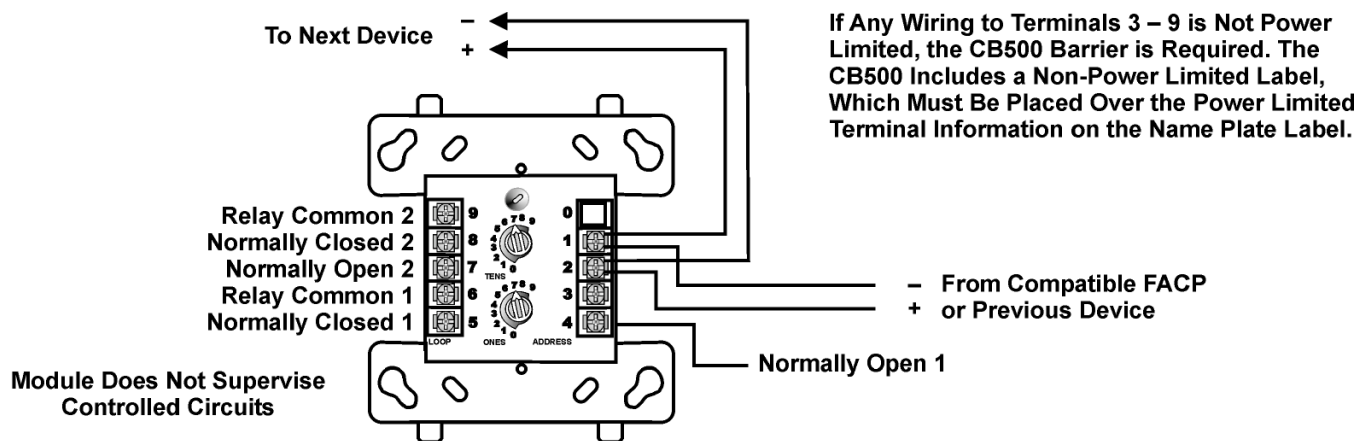
### Compatibility

The SK-Relay is compatible with the following IntelliKnight FACP's:

5820XL  
5820XL-EVS  
5808  
5700  
5600 (Rev 2.0 or higher)

# Model SK-Relay

## Intelligent Relay Module



Wiring the SK-Relay Module

### Specifications

#### Physical

Height: 4.65"

Width: 4.25"

Depth: 1.1"

Shipping Weight: 6.3 oz (196 g)

#### Electrical

Operating Voltage: 15 – 32 VDC

Current Draw: 6.5 mA max (LED on)

Operating Current:

230  $\mu$ A (LED flashing) direct poll

255  $\mu$ A (LED flashing) group poll

End-of-Line Resistance: not used

Standby Current: 300  $\mu$ A max @ 24 VDC (one communication every 5 sec with LED enabled)

LED Current: 5.5 mA (with LED latched on)

SLC Loop Resistance: 40 $\Omega$  max.

#### Relay Contact Ratings

3.0A @ 30 VDC resistive

0.9A @ 110 VDC resistive

0.9A @ 125 VAC resistive

0.5A @ 125 VAC inductive (PF = .35)

0.7A @ 75 VAC inductive (PF = .35)



**SILENT  
KNIGHT**

by Honeywell

This document is not intended to be used for installation purposes. We try to keep our product information up-to-date and accurate. We cannot cover all specific applications or anticipate all requirements. All specifications are subject to change without notice. For more information, contact Silent Knight 12 Clintonville Road, Northford, CT 06472-1610 Phone: (800) 328-0103, Fax: (203) 484-7118. For Technical Support, Please Call 800-446-6444. [www.silentknight.com](http://www.silentknight.com)

**MADE IN AMERICA**

FORM# 350127 Rev D  
© 2013 Honeywell International Inc.