

GENERAL NOTES:

1. ALL WIRING IN ACCORDANCE WITH NATIONAL ELECTRICAL CODE, INTERNATIONAL BUILDING CODE (IBC), CITY OF PORTLAND REQUIREMENTS, AND MANUFACTURER'S REQUIREMENT & RECOMMENDATIONS.

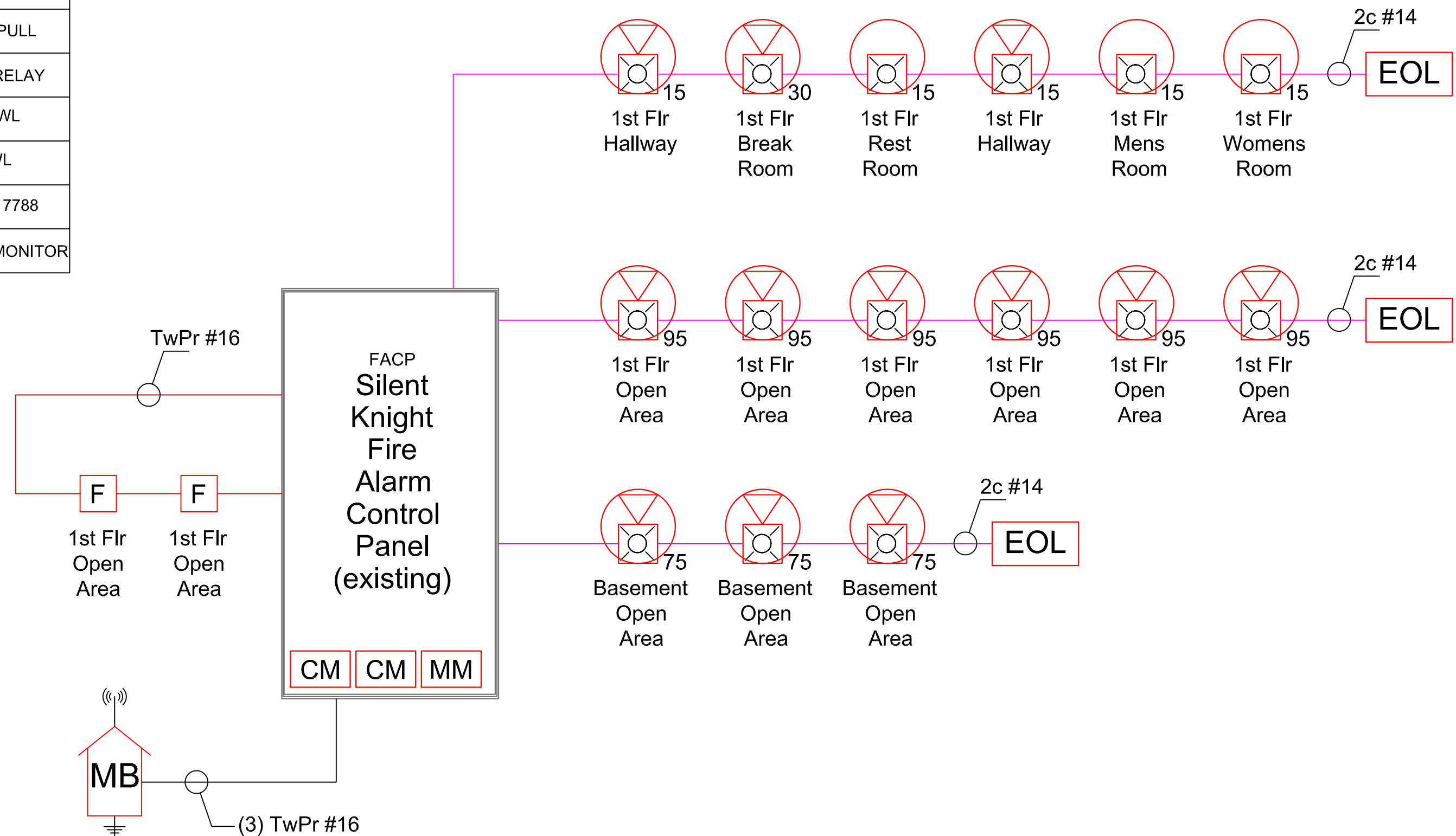
WIRING NOTES:

1. ALL ADDRESSABLE DEVICES MUST BE INSTALLED IN A HEATED LOCATION.
2. ADDRESSABLE CONTROL RELAYS (CR or MCR) SHALL SWITCH ONLY 12/24V (AC/DC) @ 2.0 Amps OR LESS. SWITCHED CIRCUITS REQUIRING HIGHER VOLTAGE SHALL USE AN INTERMEDIATE LISTED FOR THE PURPOSE
3. ADDRESSABLE LOOP CONSISTS OF (1) 2C #16 TWISTED NON-SHIELDED FROM FACP AT 1ST DEVICE; (1) 2C #16 TWISTED NON-SHIELDED THROUGH REMAINING DEVICES ON CIRCUIT AND RETURN TO FACP. MAINTAIN PROPER SEPARATION BETWEEN FEEDS AND RETURNS.
4. STROBE CIRCUITS CONSIST OF 2C #14 FROM FACP TO 1ST DEVICE; 2C #14 THROUGH REMAINING DEVICES ON CIRCUIT AND RETURN TO END AT END OF LINE RESISTOR. MAINTAIN PROPER SEPARATION BETWEEN FEEDS AND RETURNS.

LEGEND:

RISER DIAG SYM	NFPA SYMBOL*	DESCRIPTION	CATALOG #
FACP	FACP	Silent Knight Fire Alarm Control Panel	existing
F	P	Manual Pull Station	SK-PULL
CM	AOM	Addressable Control Relay	SK-RELAY
⊠#	⊠#	Horn/Strobe Unit (White Ceiling Mount) # Indicates Candela Setting	PC2WL
⊠#	⊠#	Strobe Unit (White Ceiling Mount) # Indicates Candela Setting	SCWL
MB		Radio Master Box	AES 7788
MM	AIM	Addressable Monitor Module	SK-MONITOR

* NFPA 170 (2009)
Tables: 6.5, 6.7.1, 6.7.2, & 6.7.3
(Some symbols may not appear on drawing)



DWG Name: West Elm
164 Middle Street
Portland, Maine
Fire Alarm Riser Diagram
DWG No: FA-101_RSR



West Elm
164 Middle Street
Portland, Maine
FIRE ALARM RISER DIAGRAM

JOB NAME:

REV.	DESCRIPTION	DATE	DRWN:	TRD:
0	Original Issue	5/17	KMB	TRD

SCALE: NTS

PO No. 00541
West Elm
164 Middle St
Portland, Maine
FIRE ALARM RISER
DWG No. FA-101_RSR