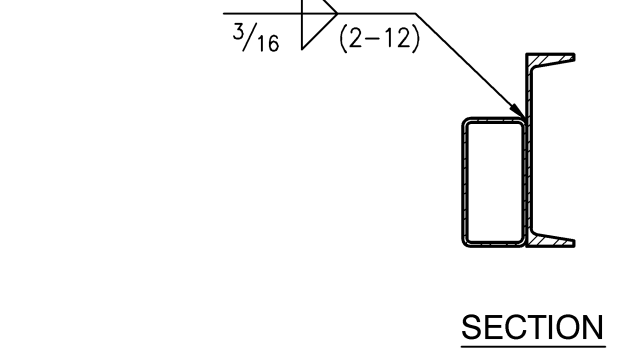
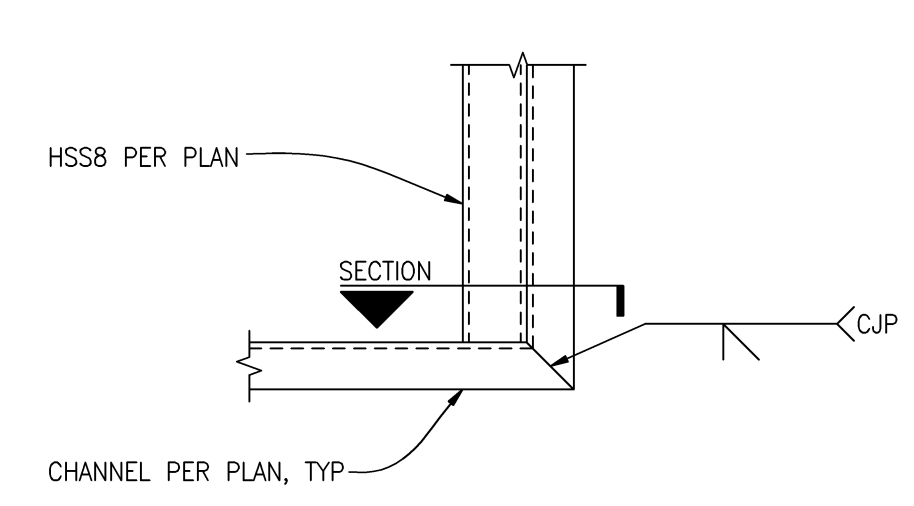
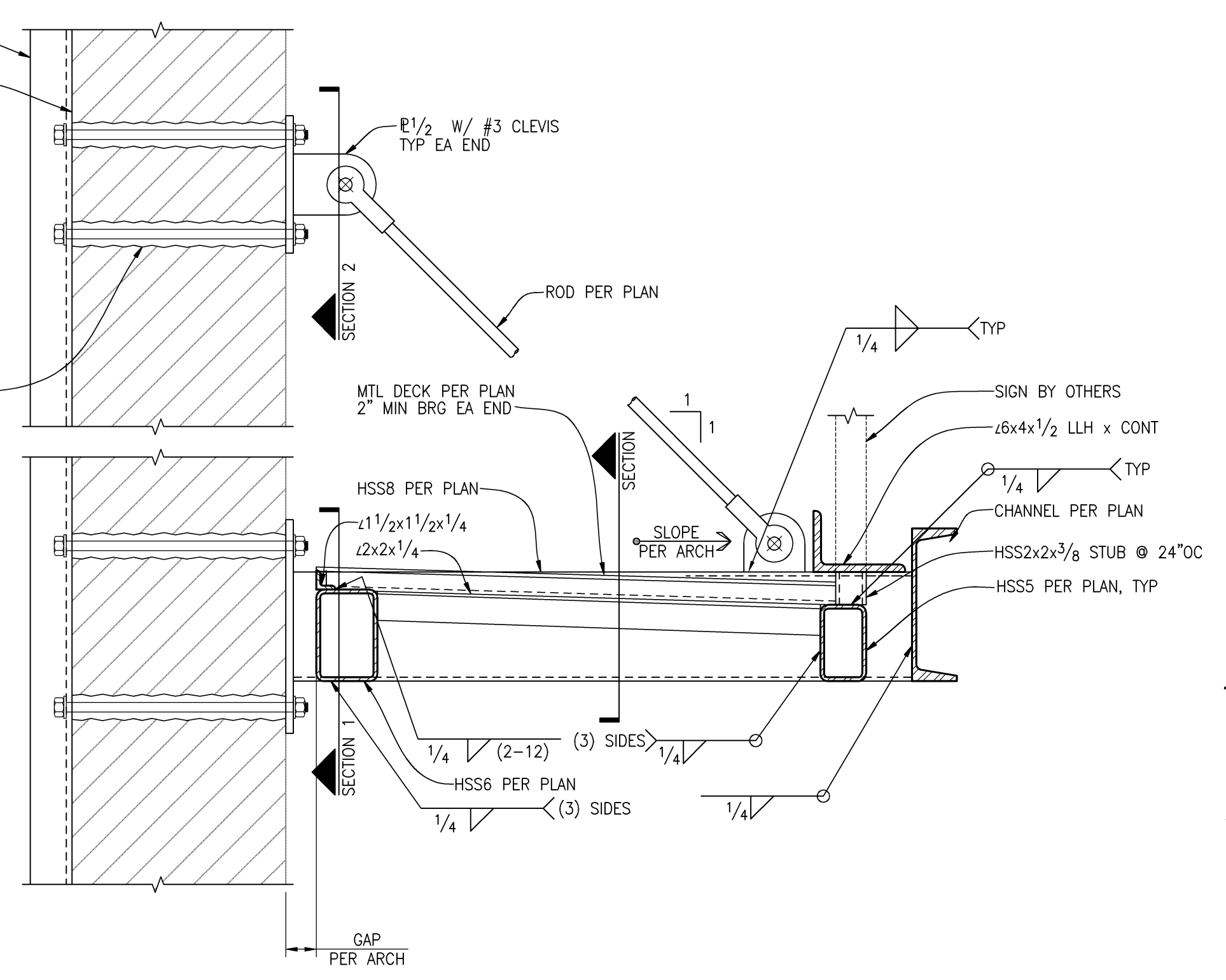
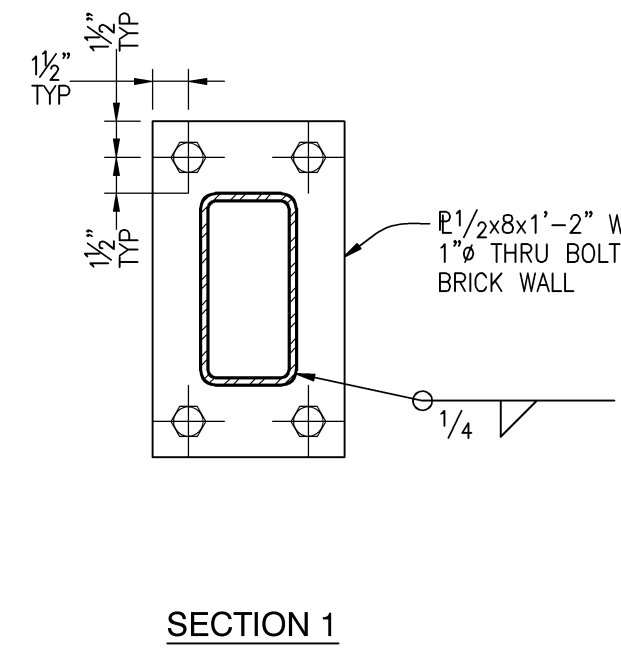
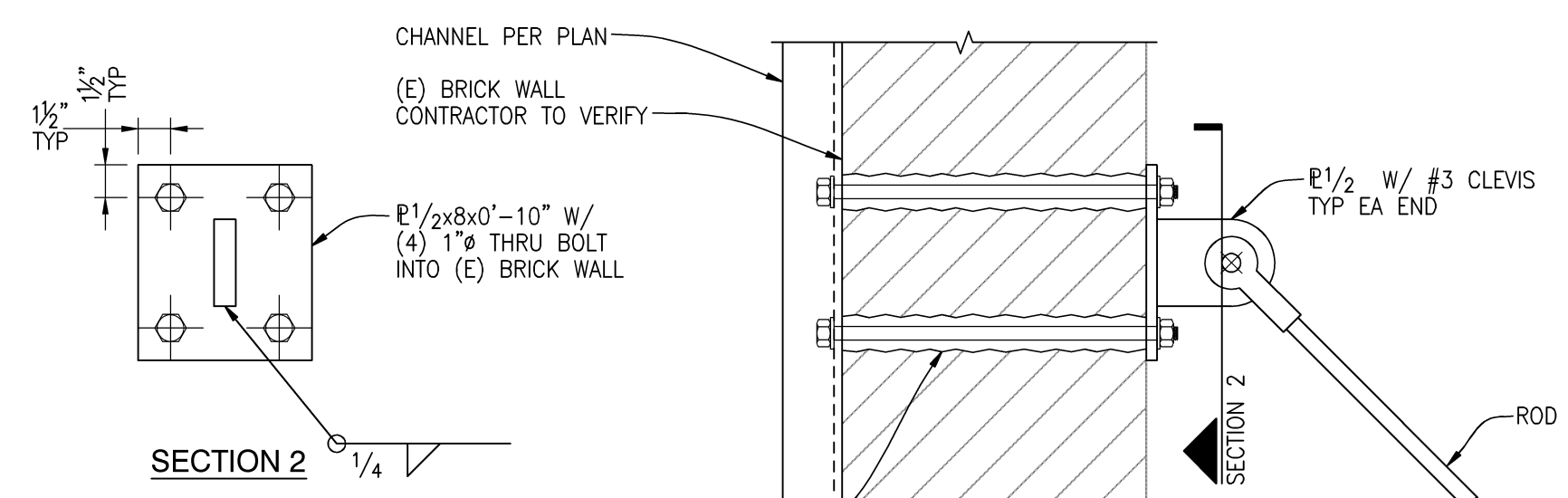
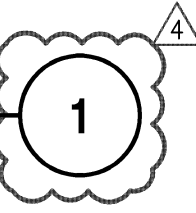


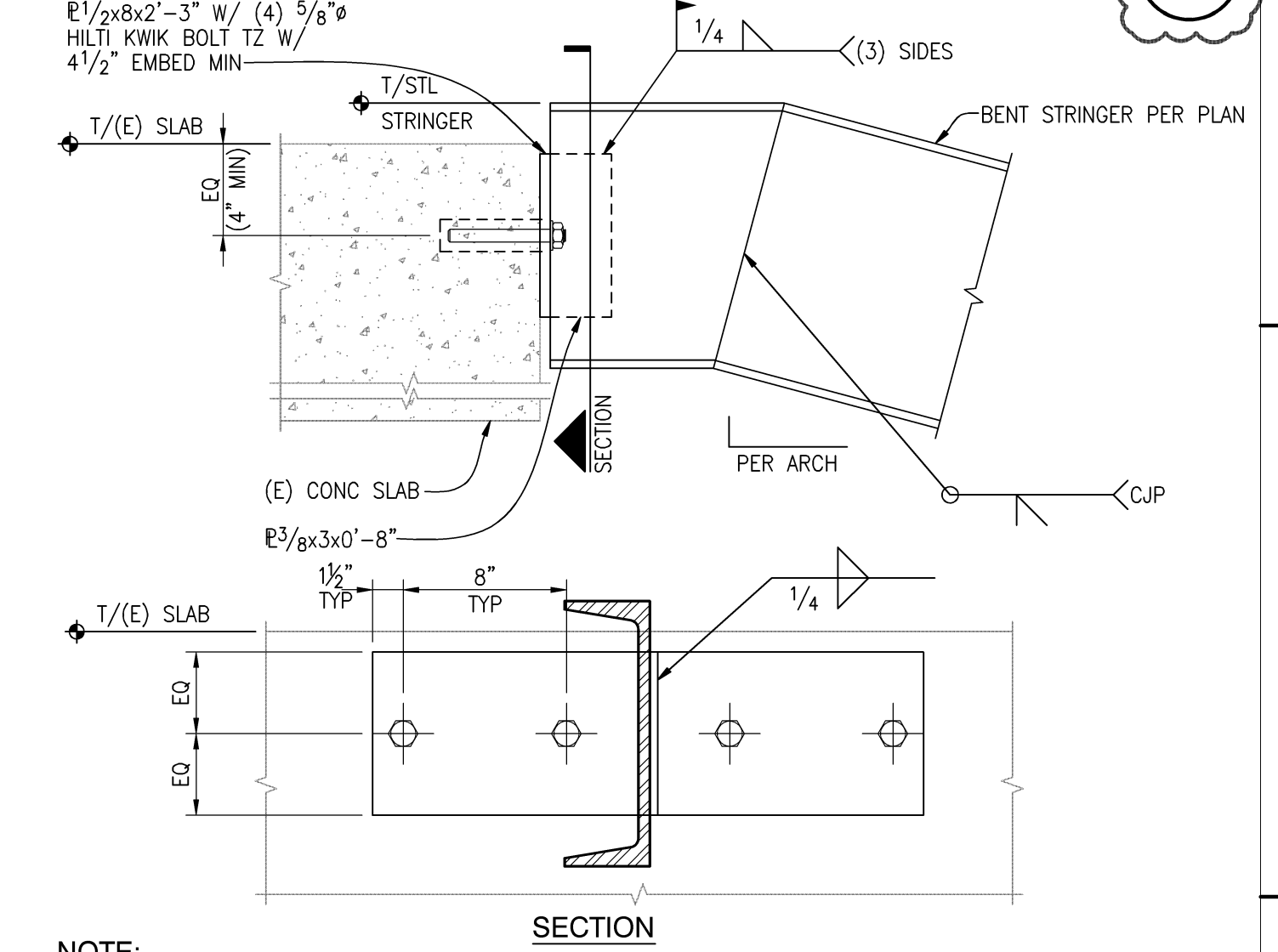
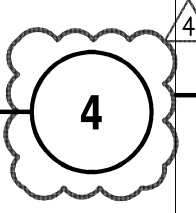
CHANNEL KICKER CONNECTION AT TOP

SCALE: 1 1/2" = 1'-0"



PLAN DETAIL - CANOPY CORNER

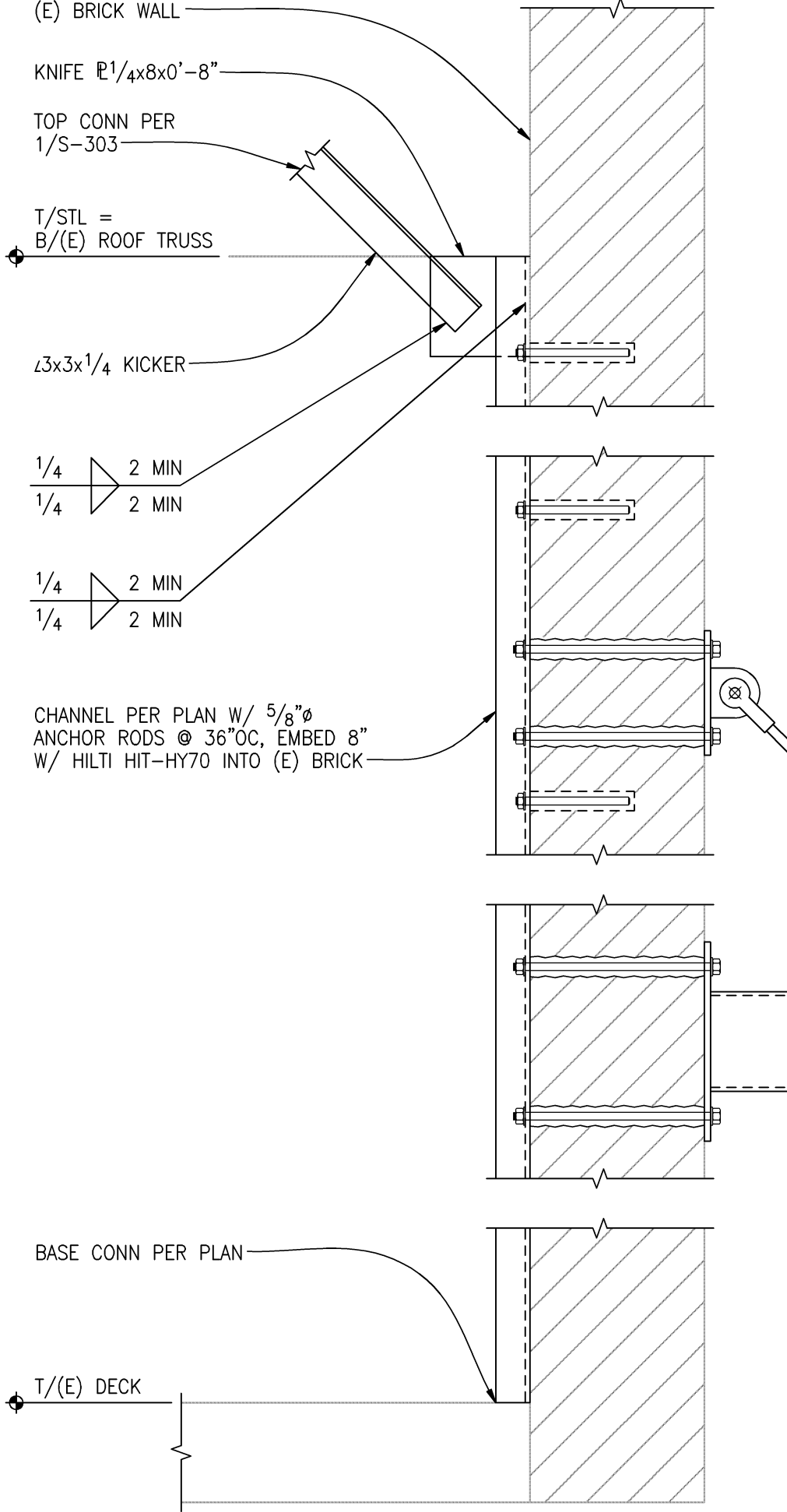
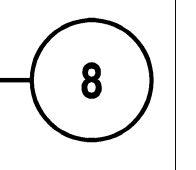
SCALE: 1" = 1'-0"



NOTE:
CONTRACTOR TO VERIFY LOCATIONS OF ALL REINFORCING. DO NOT CUT REINFORCING.

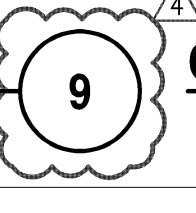
STRINGER TO SLAB CONNECTION

SCALE: 1 1/2" = 1'-0"

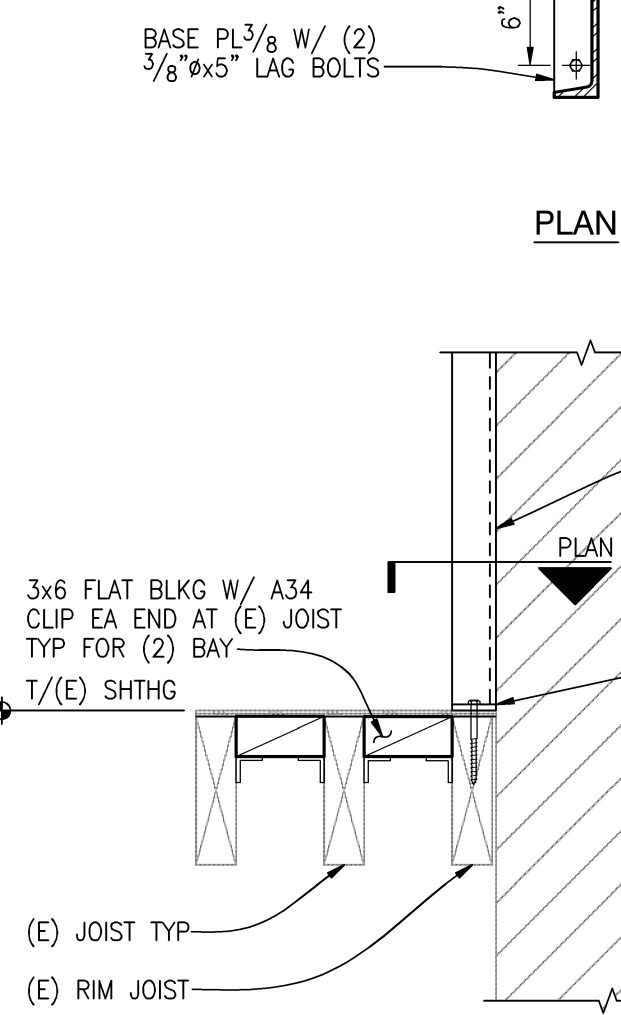


CHANNEL

SCALE: 1" = 1'-0"

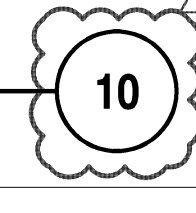


CHANNEL BASE CONNECTION



SECTION AT CANOPY

SCALE: 1" = 1'-0"

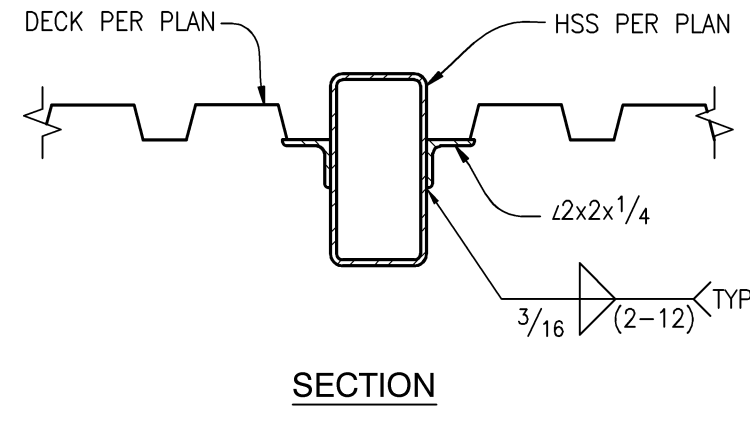


CHANNEL BASE CONNECTION

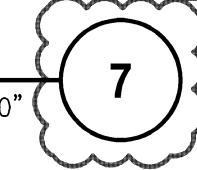
NOTE:
CONTRACTOR TO VERIFY LOCATIONS OF ALL REINFORCING. DO NOT CUT REINFORCING.

SECTION

SCALE: 1" = 1'-0"

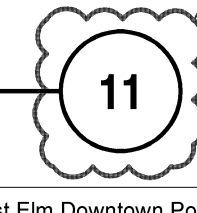


SECTION



STRINGER TO SLAB CONNECTION

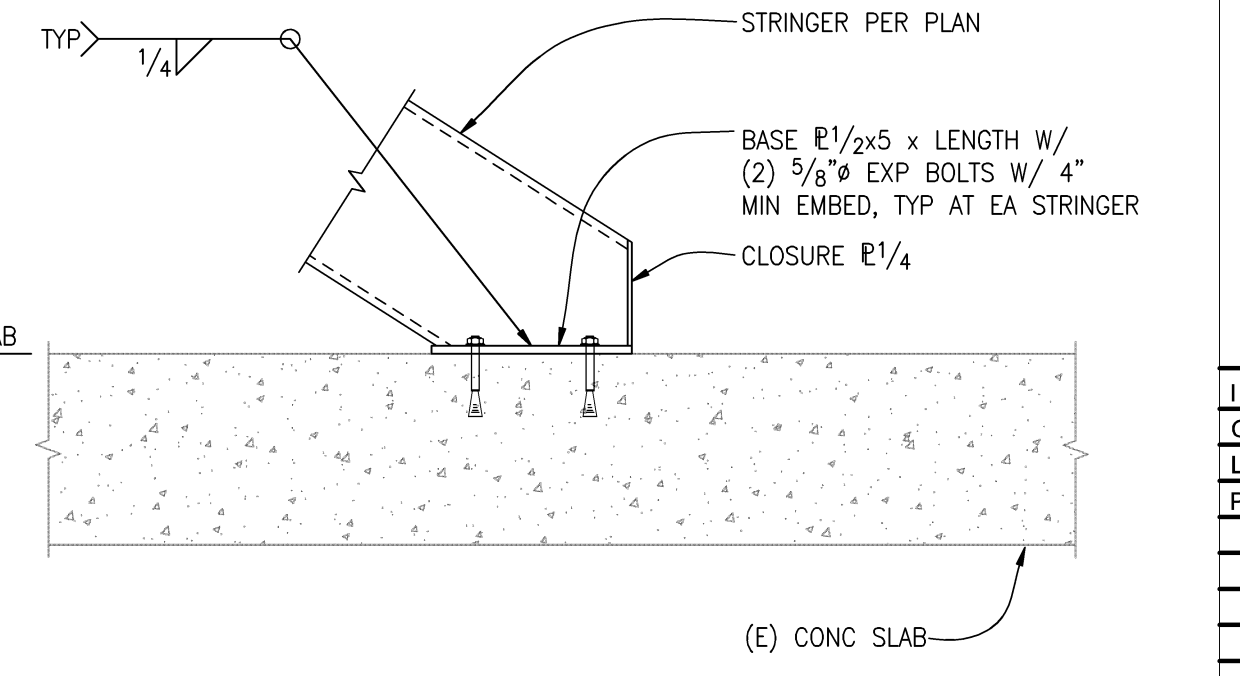
SCALE: 1 1/2" = 1'-0"



STRINGER BASE DETAIL AT EXISTING SLAB

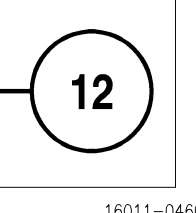
SCALE: 1" = 1'-0"

05608M



STRINGER BASE DETAIL AT EXISTING SLAB

SCALE: 1" = 1'-0"



STRUCTURAL DETAILS

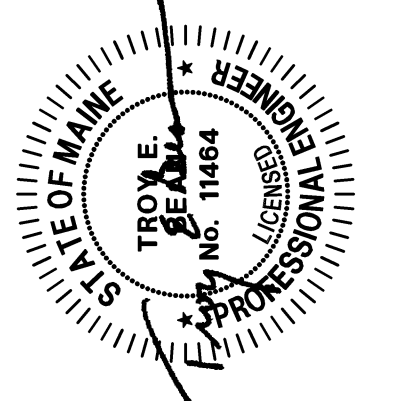
S-303

Table with columns: ISSUED / REVISED, DATE, and rows for QA SET, LL/PERMIT SET, and PERMIT ADDENDUM.

PROJECT # 006-160335-00

west elm Downtown Portland 164 Middle Street Portland, ME 04101

CALLISON AN ARCHITECTURAL COMPANY CALLISON, LLC www.callison.com



DDCI ENGINEERS 818 STEWART STREET SUITE 1000 SEATTLE WASHINGTON 98101 PHONE: (206) 332-1600 FAX: (206) 332-1600 WEBSITE: www.dd-engineers.com CIVIL / STRUCTURAL

OWNER: WILLIAMS-SONOMA, INC. 3250 Van Ness Avenue San Francisco, CA 94109 T 415 616 8602 F 415 439 8164 www.williams-sonoma.com