

NOTE:
ATTACH BLOCKING/BRIDGING TO STEEL STUDS PER 4/S-301.

DOUBLE FLAT STRAP BRIDGING SPLICE **A**

BRIDGING CHANNEL SPLICE **B**

DOUBLE FLAT STRAP BRIDGING WITH BLOCKING **A**

SCREW ATTACHED BRIDGING CHANNEL WITH ANGLE **B**

WELD ATTACHED BRIDGING CHANNEL WITH ANGLE **C**

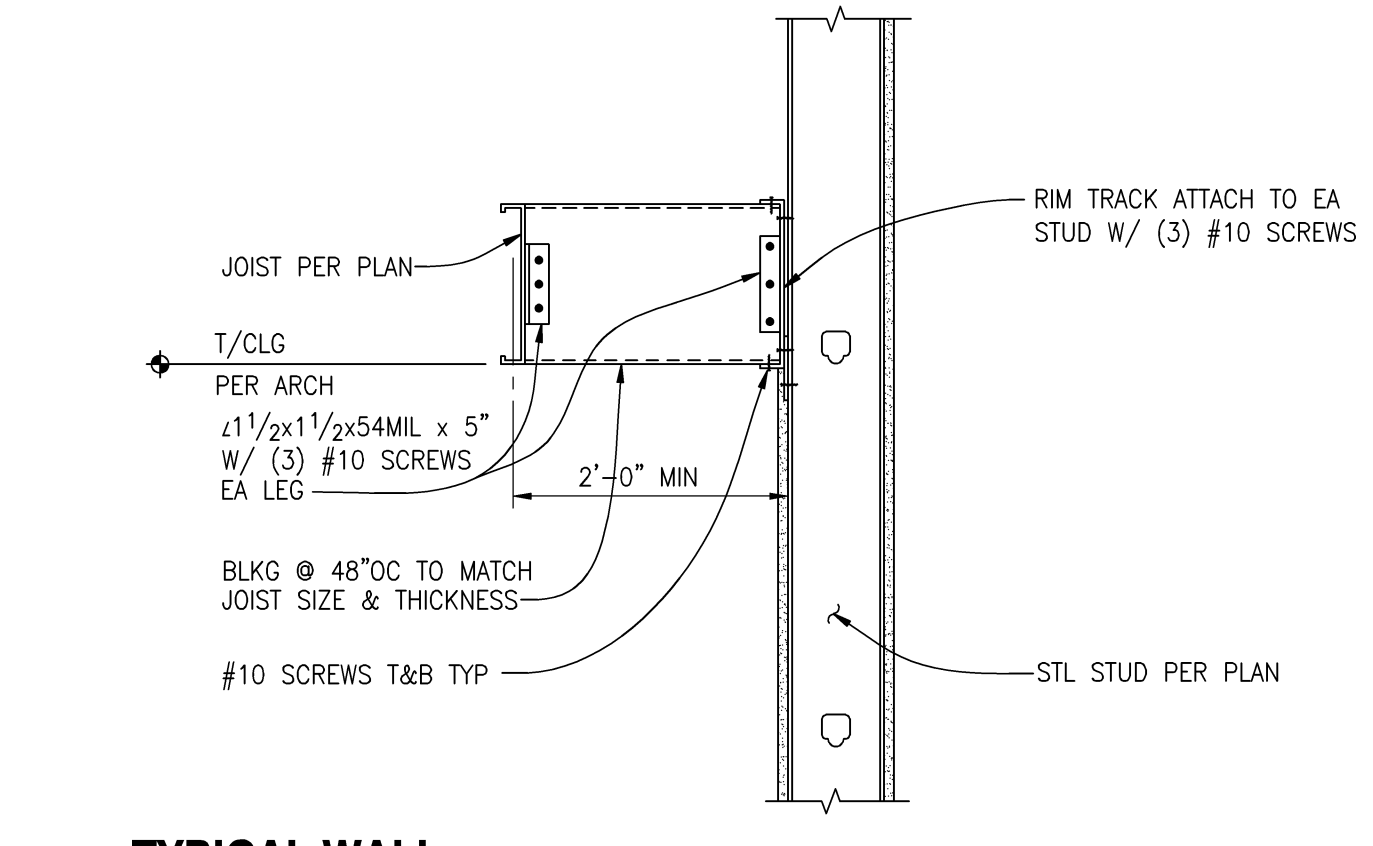
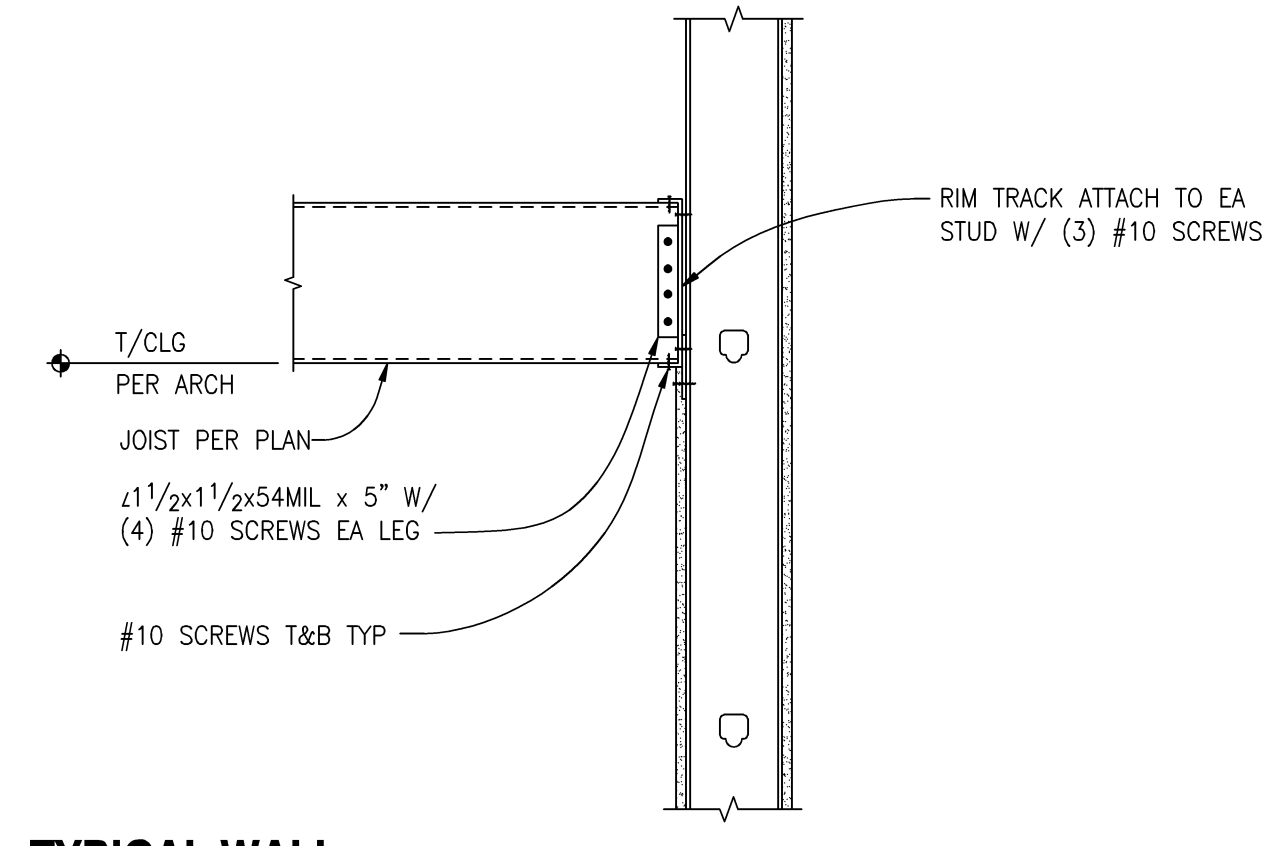
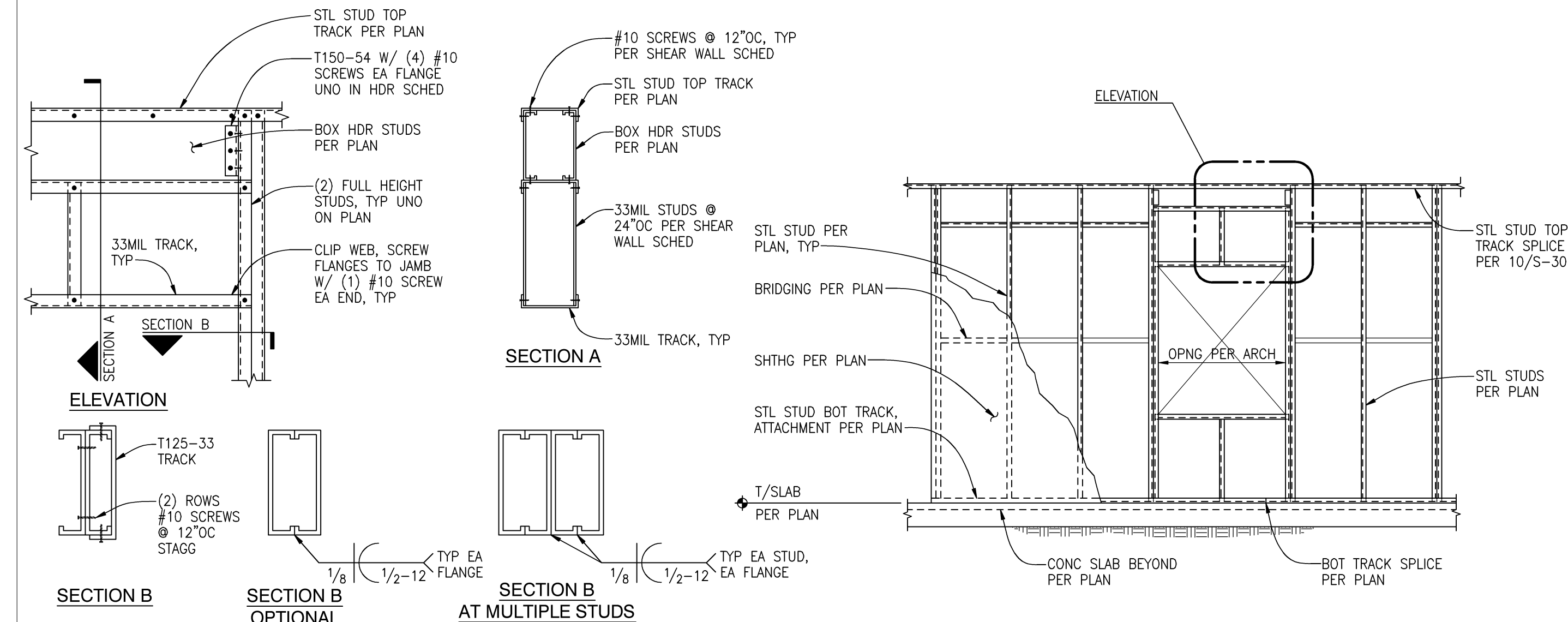
NOTE:
43MIL MINIMUM STUD THICKNESS FOR WELDING.

TYPICAL STEEL STUD WALL BRIDGING SPLICE

TYPICAL STEEL STUD WALL BRIDGING

07011 SCALE: 1 1/2"=1'-0"

07010M SCALE: NONE



TYPICAL STEEL STUD WALL ELEVATION

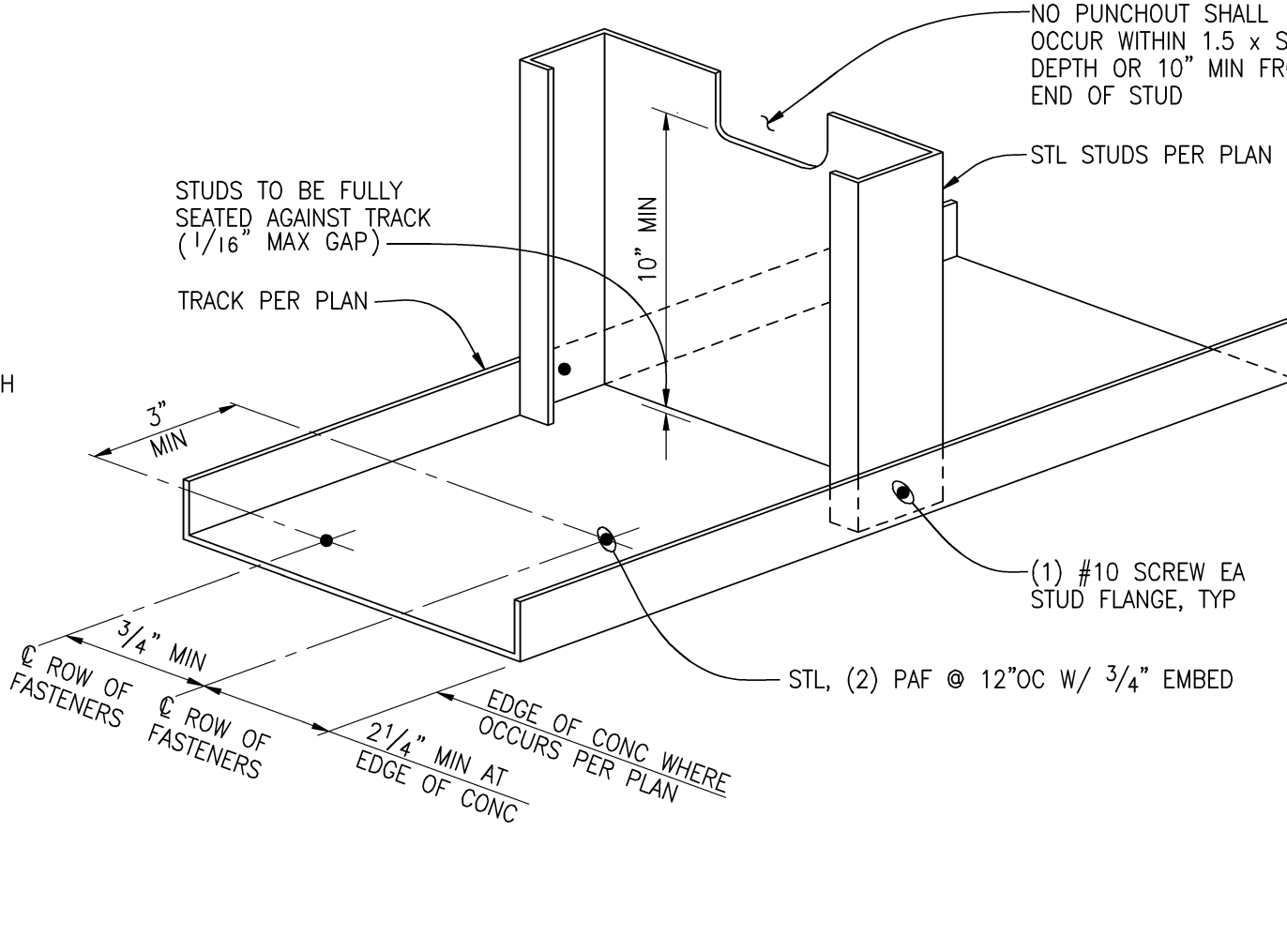
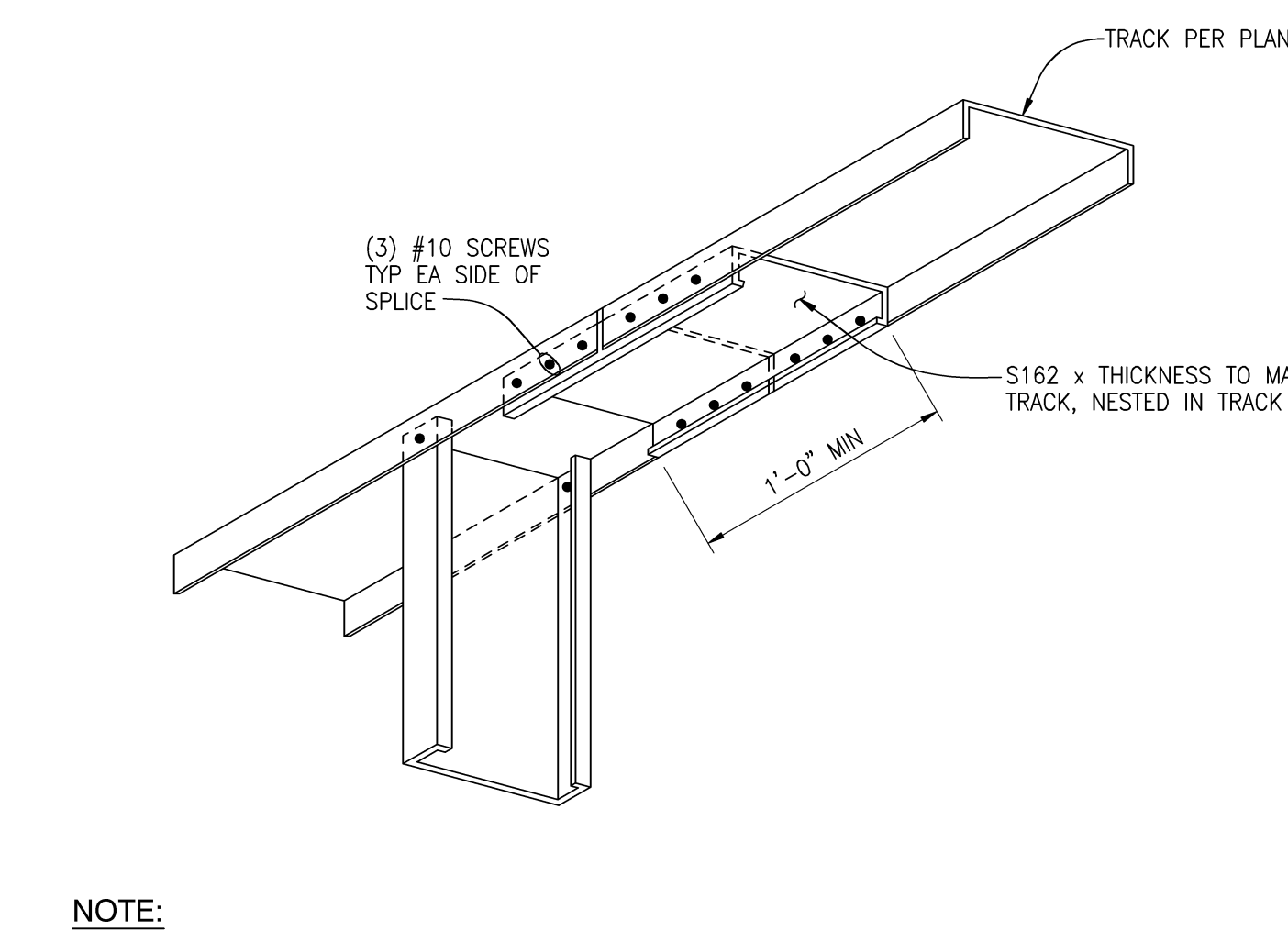
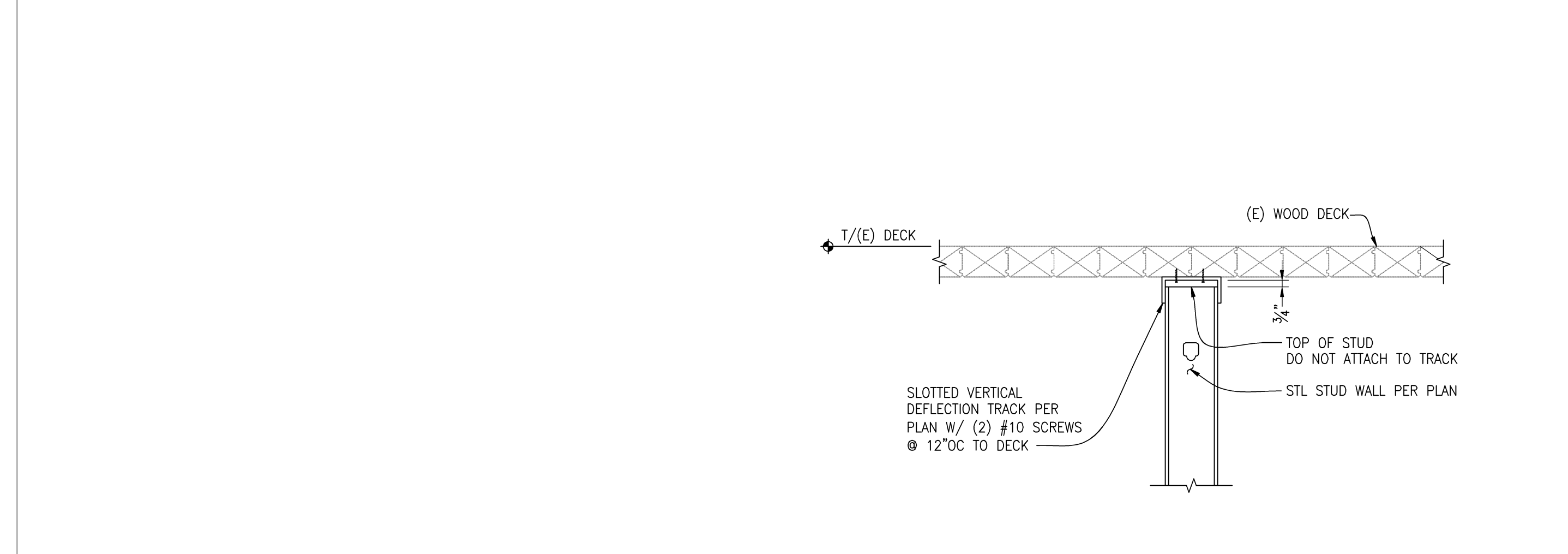
TYPICAL WALL WITH JOISTS PERPENDICULAR

TYPICAL WALL WITH JOISTS PARALLEL

07330M SCALE: NONE

07130M SCALE: 1"=1'-0"

07131M SCALE: 1"=1'-0"



TYPICAL INTERIOR FULL HEIGHT WALL TO EXISTING DECK WITH DEFLECTION TRACK

TYPICAL TRACK SPLICE

TYPICAL BOTTOM TRACK DETAIL

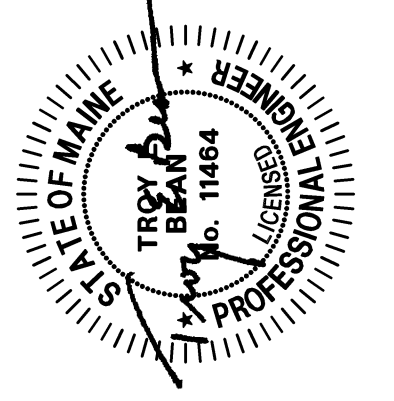
07330M SCALE: 1"=1'-0"

07001 SCALE: NONE

07000 SCALE: NONE

OWNER: **WILLIAMS-SONOMA, INC.**
3250 Van Ness Avenue
San Francisco, CA 94109
T 415 616 8610
F 415 439 8164
www.williams-sonoma.com

IDCI ENGINEERS
818 STEWART STREET, SUITE 1000
SEATTLE WASHINGTON 98101
PHONE: (206) 332-1900 • FAX: (206) 332-1600
WEBSITE: www.idci-engineers.com
© Copyright 11/2016 IDCI Engineers Inc. All Rights Reserved. No part of this publication may be reproduced, stored in a retrieval system, or transmitted in any form or by any means, without the prior written permission from IDCI Engineers Inc. IDCI Engineers Inc. is not responsible for any consequences or liabilities arising from the use of the information contained herein.



CALLISON
AN ARCHITECTURAL COMPANY
CALLISON, LLC
www.callison.com

west elm
Downtown Portland
164 Middle Street
Portland, ME 04101
PROJECT #006-160335-00

ISSUED / REVISED	DATE
QA SET	11/11/16
LL/PERMIT SET	11/17/16

STRUCTURAL DETAILS

S-301