



EEA Consulting Engineers
 6615 Yaught Ranch Road, Suite 200
 Austin, Texas 78730-2314 USA
 512.744.4400 main 512.744.4444 fax
 www.eeac.com

State of Registration MAINE
 Firm Registration No. N/A
 EEA Project No. 20166538

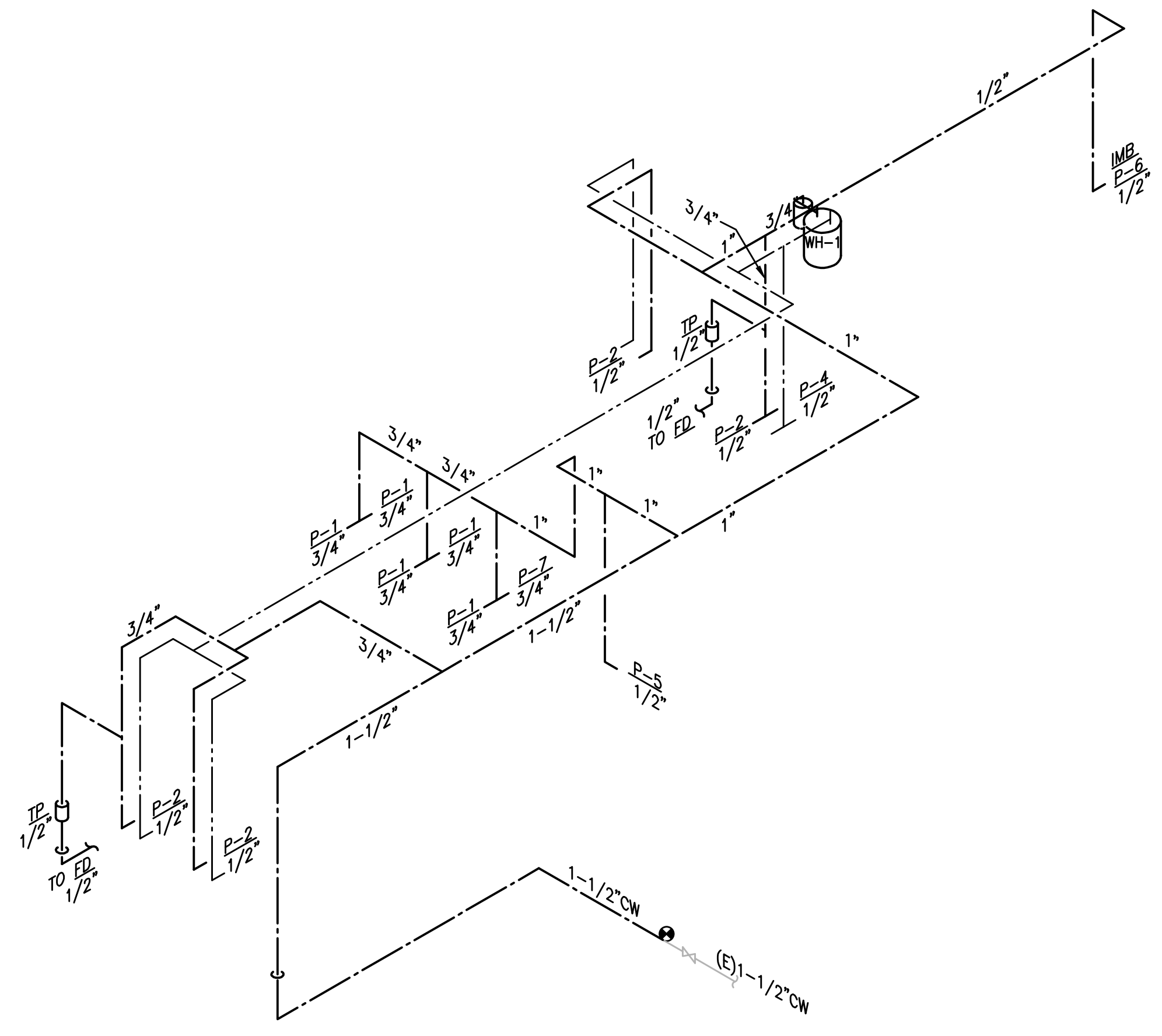
DRAWN BY: ARC
 CHECKED BY: BKK

west elm
 Downtown Portland
 164 Middle Street
 Portland, ME 04101
 PROJECT #006-160335.00

ISSUED / REVISED	DATE
PRELIMINARY SET	09/08/16
LL COORDINATION SET	11/08/16
LL/PERMIT SET	11/21/16

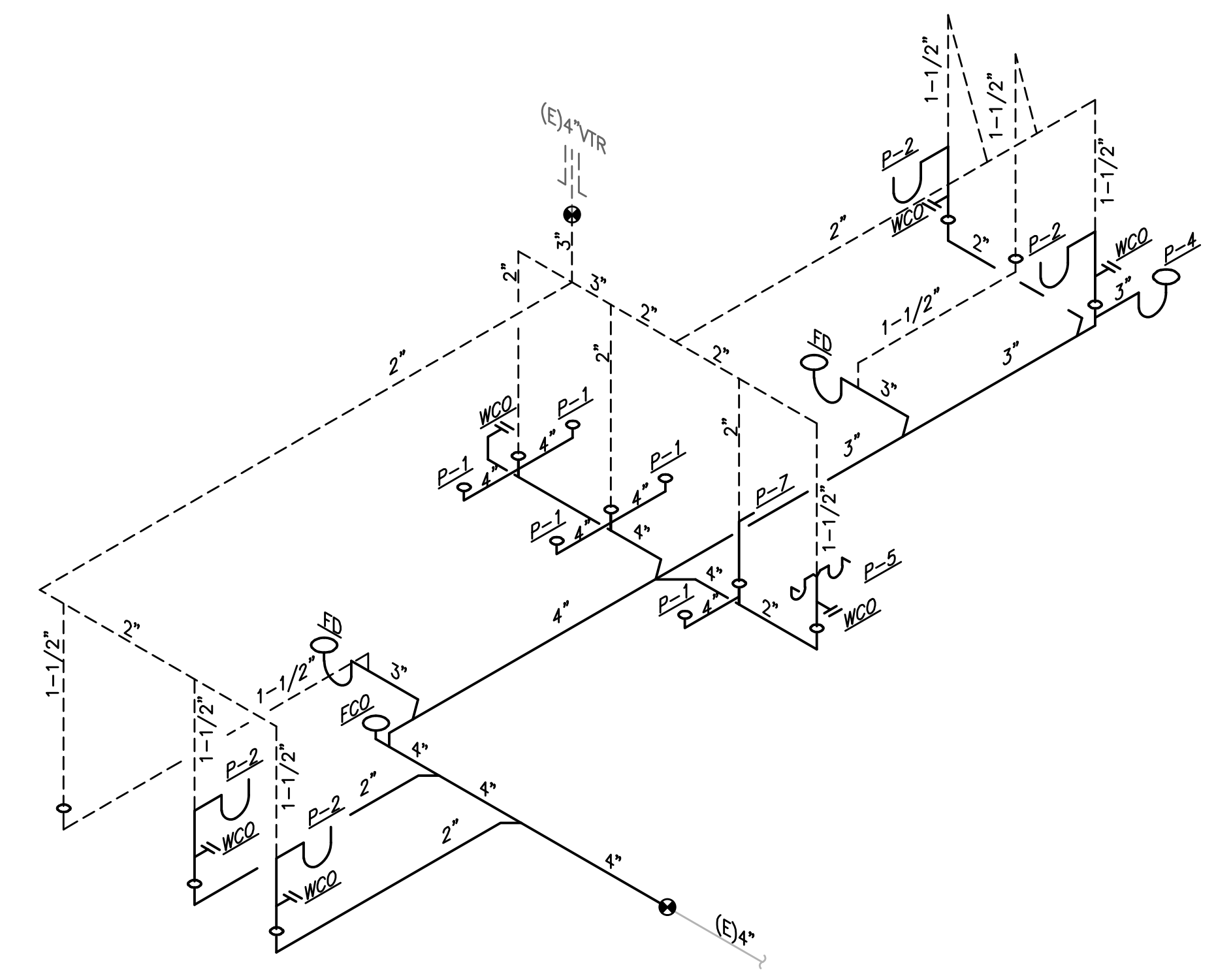
PLUMBING
 RISER DIAGRAMS

P-202



COLD AND HOT WATER RISER DIAGRAM

NOT TO SCALE
 1



SANITARY AND VENT RISER DIAGRAM

NOT TO SCALE
 2