

DOOR SCHEDULE

DOOR TYPE AND NOTES

DOOR NUMBER	DESCRIPTION	SIZE	DOOR DATA				FRAME DATA					FIRE RATING	HARDWARE										REMARKS
			THICKNESS	MATERIAL	TYPE	FINISH	MATERIAL	FINISH	HEAD	JAMB	SILL		BUTTS	LOCKSET	EXIT DEVICES	CLOSER	STOP	PUSH/PULL BARS	WEATHERSTRIP THRESHOLD	MISC			
FIRST FLOOR																							
1	ENTRY DOOR (EXISTING)	3'-0" X 8'-0" (PAIR)	1 3/4"	ALUM STILES TEMP GLASS	A-1	WE1-SG	ALUM	WE1-SG	--	--	--	--	P1	L1, L2	--	C1	--	PP1	W1, W2, T1	--	DOOR & DOOR HARDWARE BY LL GC TO VERIFY IN FIELD		
2	ELEVATOR VESTIBULE DOOR (EXISTING)	3'-0" X 7'-0" (PAIR)	1 3/4"	ALUM STILES TEMP GLASS	A-2	WE1-SG	ALUM	WE1-SG	--	--	--	--	P1	L1, L2	--	C1	--	PP1	W1, W2, T1	--	DOOR & DOOR HARDWARE BY LL GC TO VERIFY IN FIELD		
3	SIDE ENTRY DOOR (EXISTING)	3'-0" X 6'-10"	1 3/4"	ALUM STILES TEMP GLASS	A-3	WE1-SG	ALUM	WE1-SG	--	--	--	--	P1	L1, L2	--	C1	--	PP1	W1, W2, T1	--	DOOR & DOOR HARDWARE BY LL GC TO VERIFY IN FIELD		
4	DOOR TO BASEMENT STOCK ROOM(EXISTING)	3'-0" X 7'-0"	1 3/4"	HM	C	WE1-SG	WELD METAL	WE1-SG	E3/A-803	E1/A-803	--	--	B1	--	ED5	C2	--	--	S2, S4	M2, M6	DOOR & DOOR HARDWARE BY LL GC TO VERIFY IN FIELD		
5	SALES TO STOCKROOM	3'-0" X 7'-0"	1 3/4"	HM	C	WE1-SG	WELD METAL	WE1-SG	E3/A-803	E3/A-803	E7/A-803	--	B1	L13	--	C2	S1, S2	--	--	M2, M6	"PRIVATE" SIGN BY SIGN VENDOR		
6	MEN'S TOILET ROOM	3'-0" X 7'-0"	1 3/4"	SCW	B-1	WE1-SG	WELD METAL	WE1-SG	E3/A-803	E3/A-803	C7/A-803	--	B1	L4	--	C2	S3	--	T4	M1, M6	UNDERCUT DOOR 1"		
7	WOMEN'S TOILET ROOM	3'-0" X 7'-0"	1 3/4"	SCW	B-1	WE1-SG	WELD METAL	WE1-SG	E3/A-803	E3/A-803	C7/A-803	--	B1	L4	--	C2	S3	--	T4	M1, M6	UNDERCUT DOOR 1"		
8	MANAGER'S OFFICE	3'-0" X 7'-0"	1 3/4"	HM	C	WE1-SG	WELD METAL	WE1-SG	E3/A-803	E3/A-803	E5/A-803	--	B1	L5	--	C2	S1, S2	--	W4	M1, M4, M7			
9	STOCK EXIT(EXISTING)	3'-0" X 7'-0"	1 3/4"	HM	C	WE1-SG	WELD METAL	WE1-SG	E3/A-803	E1/A-803	--	--	B1	--	ED3	C2	--	--	--	M1, M6	NEW HARDWARE ON EXISTING DOOR		
10	ELEVATOR MACHINE ROOM(EXISTING)	3'-0" X 7'-0"	1 3/4"	HM	C	WE1-SG	WELD METAL	WE1-SG	E3/A-803	E1/A-803	--	--	B1	L11	--	C2	--	--	S2, S4	M1, M6	DOOR & DOOR HARDWARE BY LL GC TO VERIFY IN FIELD		

- EXIT DOORS AT STOREFRONT SHALL HAVE SIGN ABOVE STATING "THIS DOOR TO REMAIN UNLOCKED WHEN BUILDING IS OCCUPIED" IN 1" HIGH BLACK VINYL LETTERS ON A SILVER BACKGROUND. LOCKING DEVICE TO BE OF TYPE THAT IS READILY DISTINGUISHABLE AS LOCKED.
- DOORS WITHIN THE PATH OF TRAVEL FOR HANDICAPPED TO BE OPENABLE WITH A SINGLE EFFORT BY LEVER, PANIC BAR OR PUSH / PULL HARDWARE.
- EXIT DOORS TO BE OPENABLE FROM THE INSIDE WITHOUT USE OF A KEY OR ANY SPECIAL KNOWLEDGE OR EFFORT.
- EXTERIOR DOOR CLOSERS TO BE ADJUSTED TO PROVIDE FOR A MAXIMUM EFFORT TO OPERATE OF 15 LBF (1008.1.3). AT FIRE DOOR, USE FORCE ACCEPTABLE BY FIRE MARSHAL.
- INTERIOR DOOR CLOSERS TO BE ADJUSTED TO PROVIDE FOR A MAXIMUM EFFORT TO OPERATE OF 5.0 LBF.
- THRESHOLDS SHALL NOT EXCEED 1/2" IN HEIGHT.
- ALL WOOD AND HM DOORS TO HAVE 1-1/2" PAIR BUTTS PER LEAF.
- BOTH SIDES OF DOOR LEAFS AND FRAMES SHALL BE FINISHED THE SAME, UNLESS OTHERWISE NOTED.
- ALL WOOD DOOR FRAMES AND TRIM SHALL BE AWI OR WIC CUSTOM GRADE UON
- DOORS AND CASED OPENINGS INDICATED ADJACENT TO WALL INTERSECTIONS SHALL BE LOCATED WITH THE EDGE OF FINISH OPENING SIX INCHES FROM THE ADJACENT WALL UNLESS OTHERWISE INDICATED. ALL OTHER DOORS AND CASED OPENINGS SHALL BE CENTERED BETWEEN NEAREST ADJACENT WALL INTERSECTIONS, UNLESS OTHERWISE DIMENSIONED.
- ALL LEGAL EXITS SHALL BE PROVIDED WITH SELF-ILLUM. EXIT SIGNS HAVING 6" LETTERS WITH 3/4" STROKES IN CONTRASTING COLORS.
- CAUTION: HM DOORS TAKE LARGER STRIKES THAN SOLID CORE DOORS.
- HARDWARE CONTRACTOR TO COORDINATE ALL HARDWARE WITH DOORS AND FRAMES AS SPECIFIED, INCLUDING LOCKSETS AND STRIKES.
- ALL MILLWORK IN THE SCOPE OF WORK SHALL BE DELIVERED ON SITE SHOP-PRIMED AND SANDED.
- INSTALL ALL DOORS AND HARDWARE TO MEET ACCESSIBILITY REQUIREMENTS.

HARDWARE NOTES

- ANY SUBSTITUTIONS TO BE SUBMITTED WITH CATALOG FOR ARCH APPROVAL.
- GENERAL CONTRACTOR TO INSTALL LOCKSET WITH CONSTRUCTION CORES.
- SUBMIT THREE (3) COPIES OF HARDWARE LIST AND CUT SHEETS. CUT SHEETS TO CLEARLY INDICATE HARDWARE TO BE USED.
- CONTRACTOR TO ORDER ALL HARDWARE IMMEDIATELY UPON APPROVAL OF HARDWARE LIST.
- GC IS RESPONSIBLE TO BID HARDWARE THAT CONFORMS TO REQUIREMENTS OF THE JURISDICTIONAL CODE AUTHORITIES.
- WHERE OPENINGS ARE NOTED WITH AN HOURLY FIRE RESISTANCE RATING, PROVIDE HARDWARE COMPONENTS LABELED BY UNDERWRITERS LABORATORY, OR OTHER TESTING LABORATORY APPROVED BY THE LOCAL CODE AUTHORITIES, TO MEET THE HOURLY FIRE RATING NOTED.
- HARDWARE SHALL CONFORM TO NFPA 80 FOR FIRE RATED CLASS INDICATED.

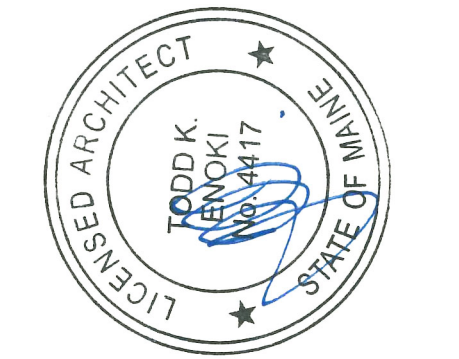
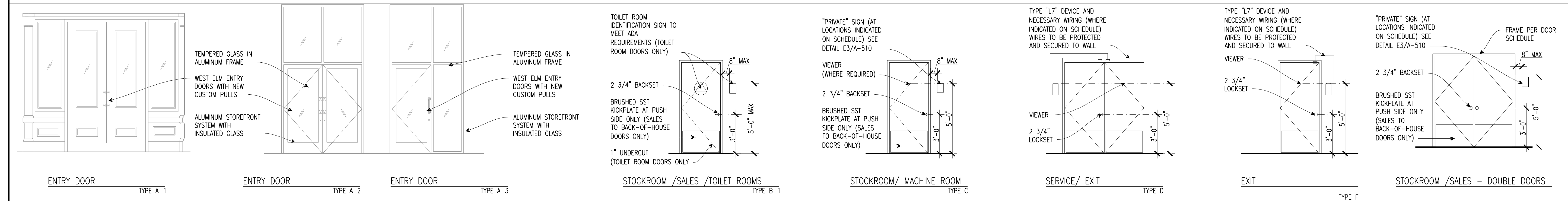
* GC TO PROVIDE CORRECT HARDWARE PACKAGE ON ALL LL PROVIDED DOORS AFTER VERIFYING IN FIELD.

HARDWARE NOTES

ALL LOCKS AND CYLINDERS ARE TO BE COMPATIBLE WITH BEST 7-PIN KEY SYSTEM

BUTTS/PIVOTS	LOCKET	EXIT DEVICES	CLOSER	STOP	PUSH/PULL BARS	WEATHERSTRIP/THRESHOLDS	MISC
B1 HAGER HINGES BB1279 4 1/2" X 4 1/2" - US26D	L1 ADAMS RITE 3-POINT DEADLOCK - MS 1850/4015/4016 W/ EXIT INDICATOR 4089	E01 PRECISION FIRE RATED EXIT DEVICE (ACTIVE DOOR) FL2203 ALK X 1703A X RHR - 630 C	C1 LCN 2034 X ALUM (MT FOR 180 DEGREES) OVERHEAD CLOSERS WITH HOLD OPEN	S1 ROCKWOOD DOOR STOP - 440 - US26D	PP1 CUSTOM PULL, ON BOTH SIDES OF DOOR - 3D STUDIO CONTACT: JOE FARAS PH: 510.220.0220	W1 BOTTOM SWEEPS BY STOREFRONT DOOR MANUFACTURER	M1 ROCKWOOD KICKPLATE 10" X 2" LESS THAN TOTAL WIDTH OF DOOR - 630
B2 MCKINNEY HINGES TA2714-NRP 4 1/2" X 4 1/2" - US26D	L2 BEST CYLINDER - MORTISE TYPE WITH THUMBTURN AND STRIKE, TO BE COMPATIBLE WITH BEST 7-PIN, CORE - FINISH: 622	E02 PRECISION FIRE RATED EXIT DEVICE (INACTIVE DOOR) FL2203 ALK X 1701 X LHR - 630	C2 NORTON CLOSER 8501 - ALUM	S2 BALDWIN KICK DOWN DOOR STOP 4105- 626	PP2 HAFELE PULL 151.01.729 - 626	W2 WEATHERSTRIP BY STOREFRONT DOOR MANUFACTURER	M2 ROCKWOOD KICKPLATE 30" X 2" LESS THAN TOTAL WIDTH OF DOOR - 630
B3 SOSS HINGES 218 - US26D	L3 SCHLAGE PASSAGE ND105 - RHO - 626	E03 PRECISION EXIT DEVICE FL2101 ALK X 1701 (HANDED RHR OR LHR) - ALUM	C3 NORTON ALUMINUM CLOSER 8501-BF X S/B - ALUM	S3 IVES DOME STOP X RISER FS13 X R14 - 626		W3 DOOR SWEEP	M3 VES LOCK GUARD LG1 - US32D
B4 CONTINUOUS GEARED HINGE (HURRICANE ZONE STORES)	L4 SCHLAGE PRIVACY ND405-RHO-626	E04 PRECISION EXIT DEVICE FL2201 X 1701 (HANDED RHR OR LHR) - ALUM	C4 LCN CLOSER 4041PA - ALUM	S4 GLYNN-JOHNSON OVERHEAD STOP 100S - 626		W4 PEMKO SMOKE SEAL S88W-21' - WHITE	M4 IVES VIEWER U700B26D - 626
P1 RIXSON 195 PIVOT SET W/ ONE M19 INTERMEDIATE PIVOT - FOR DOORS UP TO 10'-0" TALL TO PROVIDE 8.5 LB MAX OPENING FORCE (5.0 LB IN CALIFORNIA)	L5 SCHLAGE LOCKSET ND538D - RHO - 626	E05 PRECISION EXIT DEVICE FL2103 X 1703 (HANDED RHR OR LHR) - ALUM	C5 RIXSON FLOOR CLOSERS WITH HOLD OPEN - 40 X PH - TO PROVIDE 8.5 LB MAX OPENING FORCE (5.0 LB IN CALIFORNIA)	S5 TICE RS2 FLOOR HOLDERS		T1 PEMKO THRESHOLD - 176D 1/2" X 7"	M5 PRECISION DOUBLE DOOR STRIKE
P2 RIXSON 195 PIVOT SET W/ TWO M19 INTERMEDIATE PIVOTS - FOR DOORS 10'-0" AND TALLER TO PROVIDE 8.5 LB MAX OPENING FORCE (5.0 LB IN CALIFORNIA)	L6 BEST RIM CYLINDER 1E72 (AT OUTSIDE TRIM OF ACTIVE DOOR) - 626	E06 PRECISION EXIT DEVICE FL2101 X 1701 (HANDED RHR OR LHR) - ALUM	C6 KAWNEER HUSKY-II / SAM-II (FLORIDA STORES)	S6 MAGNETIC HOLD OPEN		T2 NGP THRESHOLD - 425A	M6 IVES SILENCERS SR65/SR64
	L7 DETEX EAX500SK1 (FOR SINGLE DOOR), DETEX EAX500SK2 (FOR DOUBLE DOORS) BATTERY POWERED EXIT ALARM	E07 PRECISION EXIT DEVICE FL2114 X 4914 (HANDED RHR OR LHR) - ALUM				T3 KAWNEER THRESHOLD STANDARD 1/2" X 4" ALUMINUM MILL FINISH (FLORIDA STORES)	M7 COAT HOOK - LIBERTY 129849
	L8 BEST MORTISE CYLINDER 1E74 - 62 (FOR USE W/ L7)	E08 PRECISION EXIT DEVICE FL2203 EXQ X 1703				T4 MARBLE THRESHOLD	
	L9 IVES ROLLER LATCH 336 - 626					T5 PEMKO THRESHOLD - 1716 1/2" X 6"	
	L10 PRECISION OUTSIDE LEVER TRIM 3903D - 32D						
	L11 SCHLAGE LOCKSET ND80BD - RHO - 626						
	L12 IVES FLUSH BOLTS FB458 - 626						
	L13 SCHLAGE AL 10S X SATURN - 26D						
	L14 SCHLAGE LOCKSET ND25D - RHO - 626						
	L15 BEST CORE FOR COILING DOOR SWITCH						

DOOR TYPES



CALLISONRTKL
A DESIGN CONSULTANCY OF ARCADIS
www.callisonrtkl.com

west elm
Downtown Portland
164 Middle Street
Portland, ME 04101
PROJECT #006-160335.00

ISSUED / REVISED	DATE
PRELIMINARY SET	09/08/16
LL COORDINATION SET	11/08/16
LL/PERMIT SET	11/21/16

DOOR SCHEDULE, NOTES, HARDWARE & DOOR TYPES

A-003